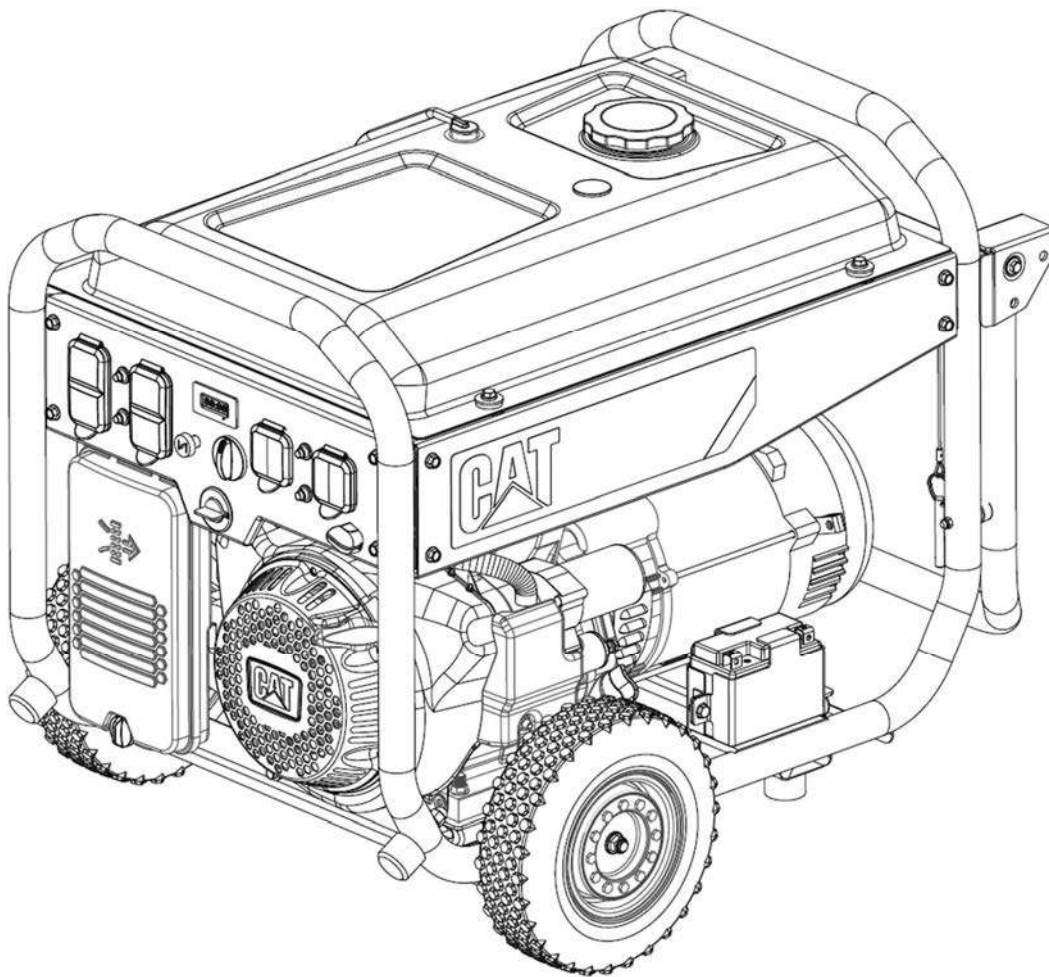



Service Manual

RP5500, RP6500 E, and RP7500 E Portable Generators



Important Safety Information

Most accidents that involve product operation, maintenance and repair are caused by failure to observe basic safety rules or precautions. An accident can often be avoided by recognizing potentially hazardous situations before an accident occurs. A person must be alert to potential hazards, including human factors that can affect safety. This person should also have the necessary training, skills and tools to perform these functions properly.

Safety precautions and warnings are provided in this manual and on the product. If these hazard warnings are not heeded, bodily injury or death could occur to you or to other persons. The hazards are identified by the "Safety Alert Symbol"  and followed by a "Signal Word" such as "DANGER", "WARNING" or "CAUTION".

Caterpillar cannot anticipate every possible circumstance that might involve a potential hazard. The warnings in this publication and on the product are, therefore, not all inclusive. You must not use this product in any manner different from that considered by this manual without first satisfying yourself that you have considered all safety rules and precautions applicable to the operation of the product in the location of use, including site-specific rules and precautions applicable to the worksite. If a tool, procedure, work method or operating technique that is not specifically recommended by Caterpillar is used, you must satisfy yourself that it is safe for you and for others. You should also ensure that you are authorized to perform this work, and that the product will not be damaged or become unsafe by the operation, lubrication, maintenance or repair procedures that you intend to use.

The information, specifications, and illustrations in this publication are on the basis of information that was available at the time that the publication was written. The specifications, torques, pressures, measurements, adjustments, illustrations, and other items can change at any time. These changes can affect the service that is given to the product. Obtain the complete and most current information before you start any job.

In the United States, the maintenance, replacement, or repair of the emission control devices and systems may be performed by any repair establishment or individual of the owner's choosing.

This manual contains safety, operation, and maintenance information. This manual should be stored near the product. Read, study and keep it with the literature and product information.

California Proposition 65 Warning



WARNING

This product and its related accessories can expose you to chemicals including benzene which is known to the State of California to cause cancer and birth defects or other reproductive harm. For more information go to www.P65Warnings.ca.gov. To reduce the risk of these health hazards, avoid inhaling oil and gasoline fumes and engine exhaust. Wash hands after use.

Table of Contents

California Proposition 65 Warning	2
SAFETY MESSAGES	5
Additional Messages	6
Special Requirements.....	6
COMPONENT IDENTIFICATION	7
Engine Type & Serial Number	7
MAINTENANCE.....	8
Regularly Scheduled Maintenance	8
Special Tools	8
MAINTENANCE AND SERVICE PROCEDURES	8
Air Filter – Check	8
Battery – Test/Replace (If Required)	9
Brush – Inspect/Repair/Replace	9
Camshaft – Inspect/Replace.....	9
Carburetor – Inspect/Adjust.....	10
Control Panel – Service.....	11
Crankshaft – Inspect/Replace.....	12
Cylinder Pressure – Check	12
Engine Oil Level – Check	12
Engine Oil – Change	13
Engine Speed – Adjust	13
Engine Valve – Inspect/Replace.....	13
Engine Valve Lash – Adjust.....	16
Flywheel - Install.....	16
Fuel Line and Filter – Replace.....	17
Fuel Tank Cap and Strainer – Clean	17
Generator - Inspect.....	17
Generator - Flash	17
Governor - Adjust	17
High Altitude Kits	18
Ignition Coil – Test/Adjust.....	18
Insulation - Test.....	19
Muffler – Inspect/Replace	19
Piston – Inspect/Replace.....	19
Recoil Starter Spring - Install.....	21

Spark – Check	22
Spark Arrestor - Inspect/Clean/Replace	22
Spark Plug – Inspect/Adjust/Replace.....	23
Starter – Replace (If Required).....	23
Timing Gear – Inspect/Replace	23
Voltage Regulator – Replace.....	24
Walk-Around Inspection	24
Windings – Test.....	24
STORAGE	25
Storage for 1 – 3 months	25
Storage for more than 3 months	25
DIAGRAMS.....	26
Air Filter Assembly.....	26
Carburetor	27
Control Panel.....	28
Crankcase and Piston	29
Cylinder Head and Valves	30
Flywheel	31
Fuel Tank	31
Alternator.....	32
Muffler	33
Recoil Starter.....	33
TROUBLESHOOTING.....	34
APPENDIX.....	38
Product Specifications	38
Maintenance Specifications	39
RP5500 Electrical Schematic	40
RP6500 E and RP7500 E Electrical Schematic.....	41

SAFETY MESSAGES

There may be several specific safety messages on your generator. Please become familiar with all safety messages.

Ensure that all safety messages are legible. Clean the safety messages or replace the safety messages if the words cannot be read or if the illustrations are not visible. Use a cloth, water, and soap to clean the safety messages. Do not use solvents, gasoline, or other harsh chemicals. Solvents, gasoline, or harsh chemicals could loosen the adhesive that secures the safety messages.

Replace any safety message that is damaged or missing. If a safety message is attached to a part of the generator that is replaced, install a new safety message on the replacement part.



Read the Manual

WARNING

Do not operate or work on this generator unless you have read and understand the instructions and warnings in the Owner's Manual. Failure to follow the instructions or heed the warnings could result in injury or death. Proper care is your responsibility.



Hot Surface

WARNING

Hot parts or hot components can cause burns or personal injury. Do not allow hot parts or components to contact your skin. Use protective clothing or protective equipment to protect your skin.

WARNING

Operation of this equipment may create sparks that can start fires around dry vegetation. A spark arrestor may be required. The operator should contact local fire agencies for laws or regulations relating to fire prevention requirements.



Carbon Monoxide

DANGER	
Using a generator indoors CAN KILL YOU IN MINUTES. Generator exhaust contains carbon monoxide. This is a poison you cannot see or smell.	
 NEVER use inside a home or garage, EVEN IF doors and windows are open.	 Only use OUTSIDE and far away from windows, doors, and vents.
DANGER	PELIGRO
Utiliser un générateur à l'intérieur PEUT VOUS TUER EN QUELQUES MINUTES. Les gaz d'échappement du générateur contiennent du monoxyde de carbone. C'est un gaz toxique invisible et inodore. <input checked="" type="checkbox"/> NE JAMAIS utiliser à l'intérieur d'une maison ou d'un garage, MÊME SI les portes et les fenêtres sont ouvertes. <input checked="" type="checkbox"/> Utiliser UNIQUEMENT à l'EXTÉRIEUR et loin des fenêtres, portes et ventilations.	Si usa un generador en interiores, MORIRÁ EN POCOS MINUTOS. El escape del generador contiene monóxido de carbono. Es un veneno que no tiene olor ni se puede ver. <input checked="" type="checkbox"/> NUNCA lo use dentro de una casa o garaje. AUN si las puertas y ventanas están abiertas. <input checked="" type="checkbox"/> Sólo úselo en EXTERIORES y lejos de ventanas, puertas y ductos de ventilación.

Operating a generator indoors can kill you in minutes. Generator exhaust contains carbon monoxide. Carbon monoxide is a poison that you cannot see or smell. Never operate a generator inside a home or garage, even if doors and windows are open. Only operate a generator outdoors and away from windows, doors, and vents. If anyone experiences dizziness, headaches, nausea, or tiredness get to fresh air immediately and seek medical attention.



Electrocution



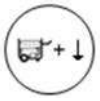
DANGER

Shock/Electrocution Hazard: Do not operate this equipment or work on this equipment unless you have read and understand the instructions and warnings in the Owner's Manual. Failure to follow the instructions or heed the warnings will result in serious injury or death.

WARNING

Electrical backfeed into a utility's distribution system can cause property damage, severe injury, or death. Do not connect generator to a building's electrical system until after the building's main switch has been used to isolate the building from the utility power system. For permanent installations, connection shall only be by means of a double throw switch as to isolate the building from utility power system. Consult a qualified technician for proper use and installation. Comply with all applicable laws and electrical codes.

Additional Messages

	Do not operate in wet conditions
	Do not refuel near open flames. Do not refuel while the engine is running.
	Do not smoke while refueling
	Maintain a minimum distance of 5 feet (1.5 meters) from other objects.
	Ensure that the unit is properly grounded.

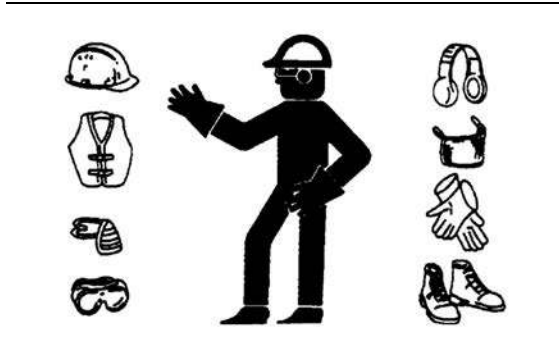
Special Requirements

Electrical equipment, including lines and plug connections should be covered and protected from moisture.

The circuit breakers should match the generator specifications. If the circuit breakers require replacement, they must be replaced with a circuit breaker of the same rating and performance characteristics. In any generator set installation, the frame of the generator must be connected to an earth ground. A ground terminal is provided.

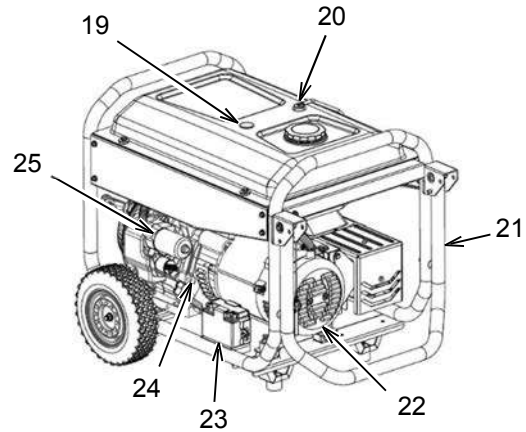
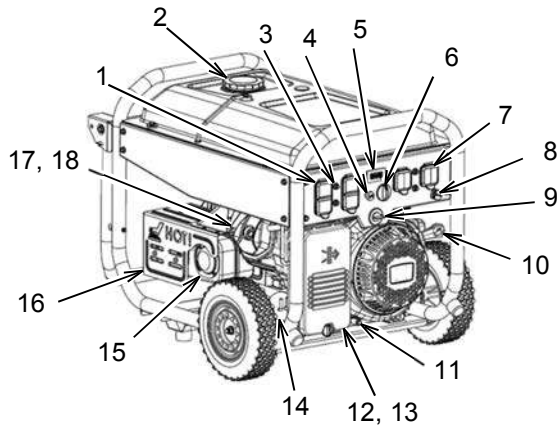
RP5500, RP6500 E, and RP7500 E all have a permanent neutral conductor between the stator winding and the frame.

For 120VAC use extension cords rated for 125V at 20A or greater. For 240VAC use extension cords rated for 250V at 30A or greater. Use the shortest extension cord that meets these requirements.



- Wear a hard hat, protective glasses, and other protective equipment, as required.
- When work is performed around an engine that is operating, wear protective devices for ears in order to help prevent damage to hearing.
- Do not wear loose clothing or jewelry that can snag on controls or on other parts of the engine.
- Ensure that all protective guards and all covers are secured in place on the engine.
- Never put maintenance fluids into glass containers. Glass containers can break.
- Use all cleaning solutions with care.

COMPONENT IDENTIFICATION

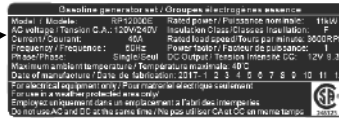
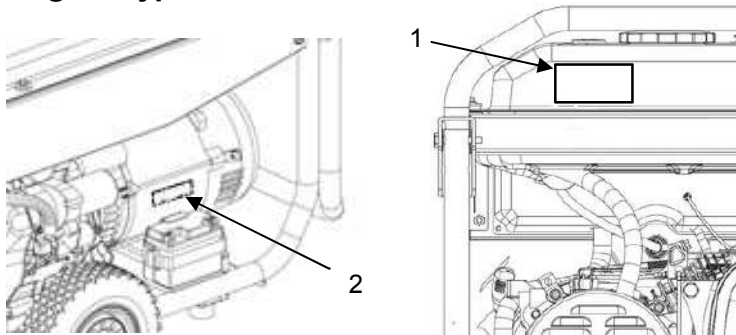


- 1) Receptacle – 120 VAC duplex
- 2) Fuel Cap
- 3) Circuit Breaker
- 4) Choke Knob
- 5) Display
- 6) Generator Switch
- 7) Receptacle – 240 VAC twist lock
- 8) Panel Light
- 9) Fuel Valve
- 10) Recoil Start Assembly
- 11) Oil Drain
- 12) Air Filter Assembly
- 13) Air Filter

- 14) CARB Canister (if equipped)
- 15) Spark Arrestor
- 16) Muffler
- 17) Engine
- 18) Spark Plug
- 19) Fuel Gauge
- 20) Rollover Sensor
- 21) Handle Assembly
- 22) Alternator
- 23) Battery*
- 24) Oil Gauge / Oil Fill
- 25) Starter*

* These parts are not included on the RP5500.

Engine Type & Serial Number



Cat® portable generators are identified with model numbers, serial numbers, and with performance specification numbers. The model number and performance specifications are located on the ratings plate (1) or the CSA ratings plate (3). The serial number is located on the serial number plate (2).

MAINTENANCE

Regularly Scheduled Maintenance

Included below are the intervals for normal maintenance of the product. The Maintenance and Service Procedures section includes normal maintenance procedures and more detailed service procedures that the typical user may not be able to perform. DO NOT attempt any procedures that you are not qualified to perform.

Ensure that all safety information, warnings, and instructions are read and understood before any operation or any maintenance procedures are performed.

Use service hours or calendar time, WHICH EVER OCCURS FIRST, to determine the correct maintenance intervals.

Stop the engine before servicing. Put the engine in horizontal position and remove the spark plug cap to prevent the engine from starting. Never operate the engine in an unventilated room or other enclosed area.

When Required:

Fuel Tank Cap and Strainer – Clean

Every Use:

Engine Oil Level – Check
Walk-Around Inspection

First 20 Service Hours or 1 Month:

Engine Oil – Change

Every Month:

Generator – Inspect

Every 50 Service Hours or 3 Months:

Air Filter – Check
Spark Arrester – Inspect/Clean/Replace

Every 100 Service Hours or 6 Months:

Engine Oil – Change
Spark Plug – Inspect/Adjust/Replace

Every 300 Service Hours or 1 Year:

Engine Valve Lash – Check

Every 2 Years:

Fuel Line – Replace

Special Tools

The following tools may be required to perform the service procedures:

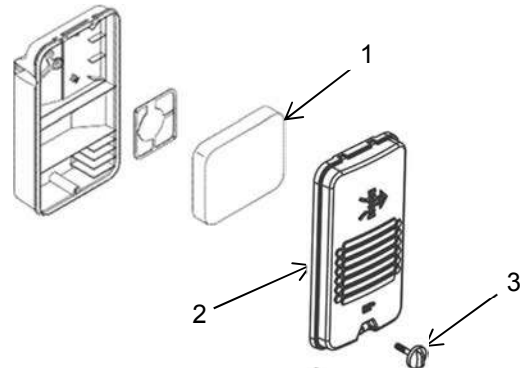
- Bearing driver
- Bearing puller
- Compression gauge
- Float level gauge
- Flywheel driver
- Megohmmeter
- Micrometer
- Multimeter (Volts and Ohms)
- Piston driver
- Piston ring puller
- Ring compressor
- Valve guide driver
- Valve guide reamer
- Valve seat cutter 32°
- Valve seat cutter 45°

MAINTENANCE AND SERVICE PROCEDURES

Air Filter – Check

A dirty air filter will restrict air flow into the carburetor, will cause poor fuel economy, and may damage the engine. To keep the generator in good operating condition, service the air filter regularly. Service the air filter more often when operating the generator in extremely dusty areas.

Note: Never operate the generator without the air filter in place. Operating the generator without the air filter in place will result in rapid engine wear.



Remove the air filter cover bolt (3) and remove the air filter cover (2). Make sure that the air filter (1) is clean and not damaged. If the air filter is dirty, wash the filter. If the air filter is damaged, replace the air filter.

Use a nonflammable solvent or a mixture of household detergent and warm water to wash the filter. Rinse the filter thoroughly to remove all of the cleaning solution. After the filter has dried, pour a few drops of engine oil onto the filter. Then squeeze the filter to distribute the oil throughout the filter and remove any excess oil.

Note: Do not wring out the filter. Wringing out the filter may damage the filter.

Install the filter into the filter housing. Place the air filter cover over the filter and reinstall the air filter cover bolt.

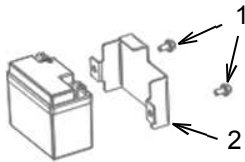
Battery – Test/Replace (If Required)

DANGER

Shock/Electrocution Hazard: Do not operate this equipment or work on this equipment unless you have read and understand the instructions and warnings in the Owner's Manual. Failure to follow the instructions or heed the warnings will result in serious injury or death.

WARNING

Never disconnect any charging unit circuit or battery circuit cable from the battery when the charging unit is operated. A spark can cause an explosion from the flammable vapor mixture of hydrogen and oxygen that is released from the electrolyte through the battery outlets. Injury to personnel can be the result.

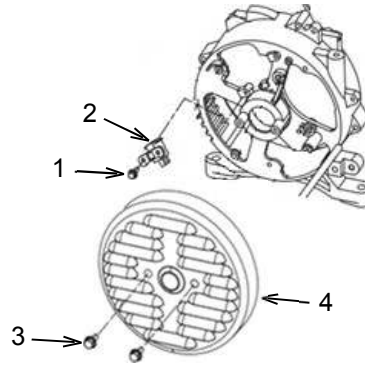


Disconnect the negative battery cable at the harness connection and secure it. Disconnect the positive battery cable. Use a Voltmeter or a multimeter set to VDC to measure the battery. If the battery has less than 12.4 volts, replace the battery. Remove bolts (1) and plate (2). Remove the battery and dispose of properly.

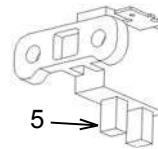
Set the new battery into position. Install plate (2) and bolts (1). Connect the positive battery cable. Connect the negative battery cable.

Brush – Inspect/Repair/Replace

The carbon brush is located behind the cover of the generator.



Remove bolts (3) and remove motor cover (4).



Check the length of the brushes (5). If the length is 6mm or less, replace the brush. To remove the brush, remove bolt (1) and disconnect the leads. To reinstall, connect the red lead to the “+” terminal, the white lead to the “-” terminal, then use bolt (1) to secure the new brush.

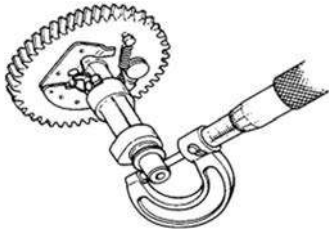
Check the contact surface between the brush (2) and the collector ring. If the contacting surface appears to be less than 75% of the brush surface, resurface the brush. Put emery cloth between the brush and the collector ring with the grit side facing the brush. Work the emery cloth back and forth against the brush until there is more than 75% contact area. Do not just spin the collector as a charge may build in the windings. Remove any debris from the generator before reassembling.

Camshaft – Inspect/Replace



Inspect the camshaft for damage or abnormal wear. Measure the lift on the camshaft lobes. The acceptable limits for the lift are shown in the table below. If the lift is out of the acceptable range, replace the camshaft.

Model:	Lobe:	Normal Lift:	Minimum Lift:
RP5500	Intake	32.063mm	31.813mm
	Exhaust	31.808mm	31.558mm
RP6500E	Intake	32.498mm	32.198mm
RP7500E	Exhaust	31.985mm	29.886mm

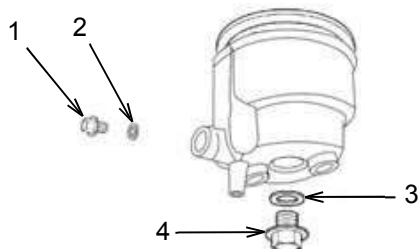


Measure the outside diameter of the camshaft. The acceptable limits for the diameter are shown in the table below. If the diameter is out of the acceptable range, replace the camshaft.

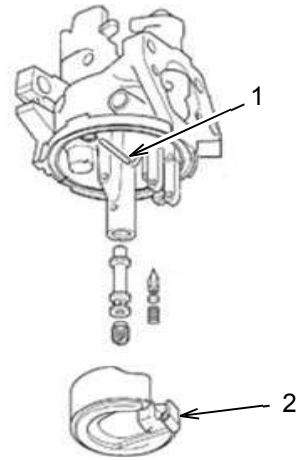
Model:	Normal:	Minimum:
RP5500	16.166mm	16.12mm
RP6500E RP7500E	15.966mm	15.92mm

Carburetor – Inspect/Adjust

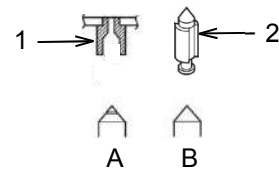
Remove the air filter assembly. Remove the carburetor. Clean the outside surface of the carburetor before disassembly.



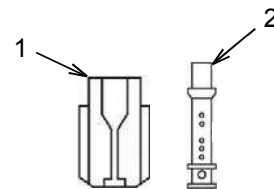
Drain the fuel from float chamber by removing drain bolt (1) and gasket (2). Use a suitable container to catch the fuel. Dispose of the fuel properly. Remove bolt (4) and gasket (3). Carefully remove the float chamber, and contain any small parts that may fall out.



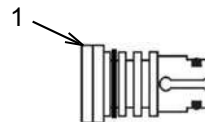
Remove float pin (1), carefully remove float (2) and contain the small parts. Clean the internal parts with carburetor cleaner and compressed air.



Check the float valve seat (1) and float valve (2) for wear. Figure A shows a worn float valve that needs replaced. Figure B shows a float valve that can be reused.

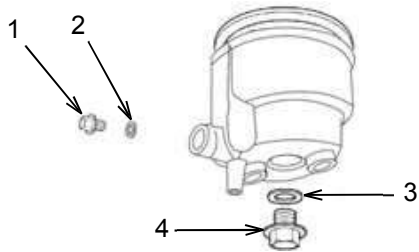


Inspect main fuel jet (1) and main fuel nozzle (2). If worn, replace.



Inspect the idle speed jet (1). Replace if damaged. Apply a light coat of oil to the O-ring seals before reinstalling.

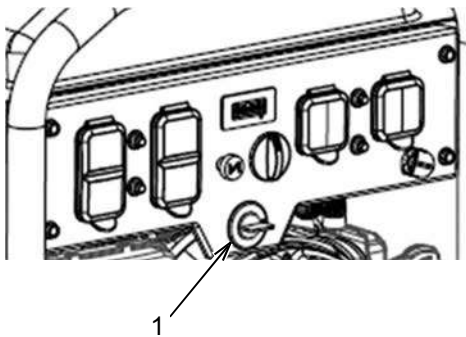
After reinstalling the float, lightly press in with a finger to make sure the float moves freely. Make sure that the float valve is just contacting the valve seat, and the spring is not compressed.



Install drain plug (1) and gasket (2) into the float chamber. Set the float chamber in place so that the drain bolt can be accessed from outside the unit. Install gasket (3) and bolt (4) to hold the float chamber in place.

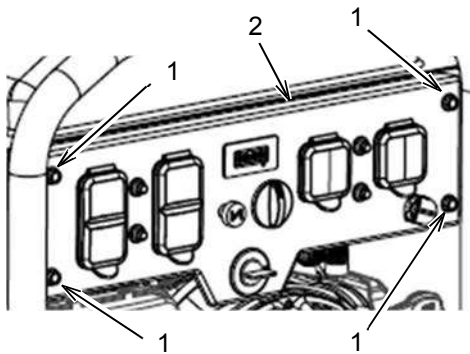
Reinstall the carburetor. After starting the unit, check for leakage.

Control Panel – Service

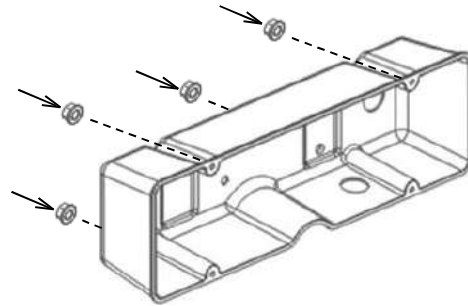


The fuel valve (1) can be accessed without removing the control panel. To remove the fuel valve, drain the fuel from the fuel tank into an appropriate container. Start the engine and let the engine run out of fuel. Turn the generator switch to the off “0” position.

Move the hose clamps that hold the fuel lines to the center of the fuel lines. Remove the fuel lines from the fuel valve. Remove the clip from the rear of the control panel face. Remove the fuel valve. Reinstall in reverse order.



Remove bolts (1) and the washers. Pull the control panel (2) forward slowly. Make sure that the cables move freely and are not damaged. Tag the wires to identify them and then disconnect the wiring harnesses.



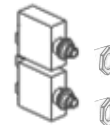
Place the front of the control panel on a surface that will protect the panel from damage. Remove the four 7mm nuts from the back of the control panel housing and carefully separate the housing from the front panel.

Choke:



The choke control is held to the rear of the panel with 7mm nuts. Remove the choke knob and cable from the front of the panel, and remove the nuts that hold the choke to the panel. Remove the choke control from the rear of the panel. Reinstall in reverse order.

Circuit Breakers:



Each circuit breaker is held to the panel with a half nut located on the front of the panel. Tag the wires to identify them and then disconnect the circuit breaker. Remove the half nut from the front of the panel then remove the circuit breaker from the rear of the panel.

Display:



The display is held in place by hot melt glue. Disconnect the display from the wiring harness and remove the glue. Remove the display from the front of the panel.

Fuse:

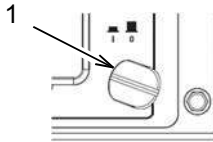
The generator switch has a 5 Amp fuse located in an inline fuse holder.

Generator Switch:



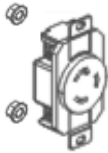
The generator switch is held to the panel with 7mm nuts. Disconnect the wiring, remove the knob from the front of the panel, and remove the nuts. Remove the generator switch from the rear of the panel.

Panel Light:



The panel light (1) is held to the panel with hot melt glue. Disconnect the panel light from the wiring and remove the glue. Remove the panel light from the front of the panel.

Receptacles and Covers:

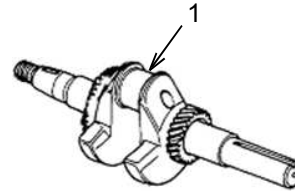


Each receptacle is held to the panel with two 7mm nuts. Tag the wires to identify them and then remove the wires from the receptacle. Remove the nuts that hold the receptacle to the panel, and then remove the receptacle from the rear of the panel. The receptacle cover can then be removed from the front of the panel.

Crankshaft – Inspect/Replace

Inspect the crankshaft oil seal. If the seal is damaged or shows sign of leakage, replace the seal.

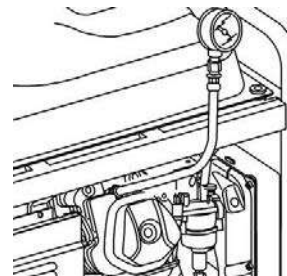
Inspect the crankshaft bearings. If the bearing is scored or shows signs of discoloration from excessive heat, replace the bearing. Coat the bearing with engine oil before installing.



Check the diameter of the crankshaft journal (1). A normal diameter is 29.975-29.991mm. If the diameter is 29.92mm or less, replace the crankshaft.

When installing the crankshaft, insert it into the crankcase until the bearing touches the crankcase without damaging the oil seal.

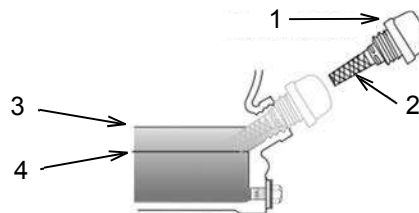
Cylinder Pressure – Check



- Remove the spark plug cap and spark plug.
- Connect the compression gauge as shown above.
- Pull the recoil starter handle several times and note the cylinder pressure.
- If the cylinder pressure is not within 588 - 834 kPa (85 - 121 psi), refer to the Troubleshooting section.

Engine Oil Level – Check

Always check the engine oil with the generator on a level surface and with the engine stopped.



1. Remove the oil filler cap (1) and wipe the oil level gauge (2) to clean it.
2. Check the oil level by inserting the oil level gauge into the filler neck. Do not screw the oil filler cap in when checking the oil level.

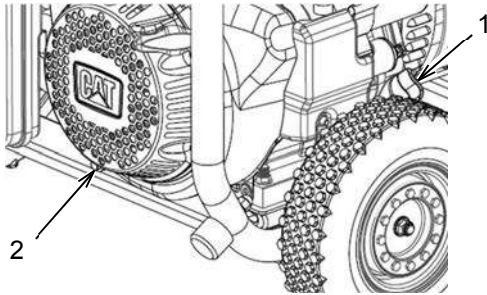
- If the oil level is low (4), add the recommended engine oil until the oil level reaches the upper mark (3). Use the chart below to determine which viscosity oil to use.

Recommended Lubricant Viscosities for Ambient Temperature				
Oil Viscosities	°C		°F	
	Min	Max	Min	Max
SAE 0W-40	-40	40	-40	104
SAE 5W-40	-30	50	-22	122
SAE 10W-30	-18	40	0	104
SAE 15W-40	-10	50	14	122

- After adding oil, install and tighten the oil filler cap.

Note: Non-detergent and 2-stroke engine oils will damage the engine and must not be used.

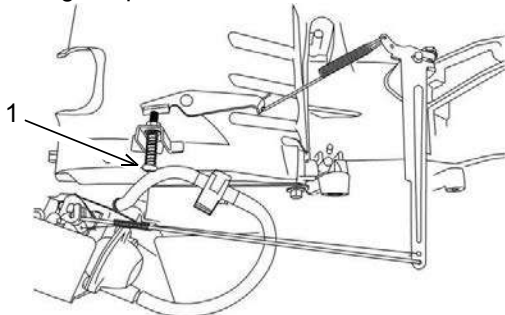
Engine Oil – Change



- Operate the engine until it reaches normal operating temperature. Stop the engine.
- Remove the oil filler cap (1) and drain plug (2) to drain the oil. Drain the oil into a suitable container.
- Reinstall the drain plug and tighten to $18 \pm 2 \text{ N}\cdot\text{m}$ ($13 \pm 2 \text{ lb ft}$).
- Refill the oil and check the oil level. Refer to Engine Oil Level – Check.
- Install and tighten the oil filler cap.
- Dispose of the used oil appropriately.

Engine Speed – Adjust

Start the engine and allow it to reach normal operating temperature.

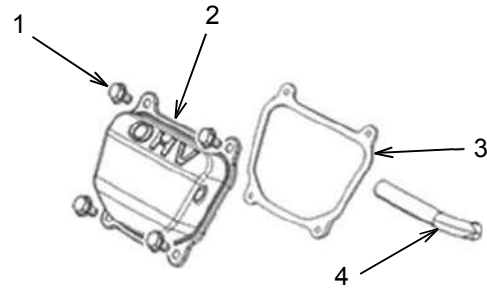


The maximum speed for this engine is 3730 – 3830 rpm. Turn the adjusting screw (1) clockwise to increase the engine speed. Turn the adjusting screw counterclockwise to decrease the engine speed.

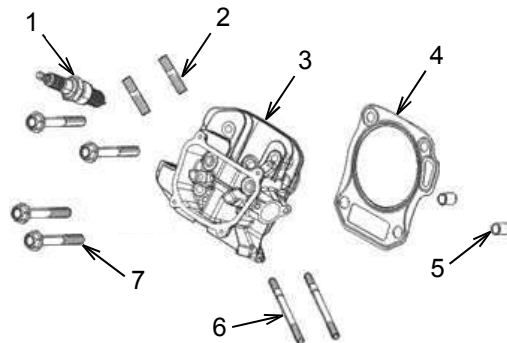
If adjusting the screw does not get the engine speed within range, see Governor – Adjust.

Engine Valve – Inspect/Replace

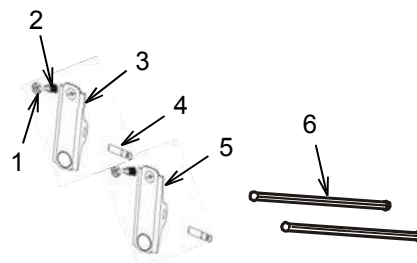
Remove the muffler, air filter assembly, recoil starter, shroud, carburetor, and insulator.



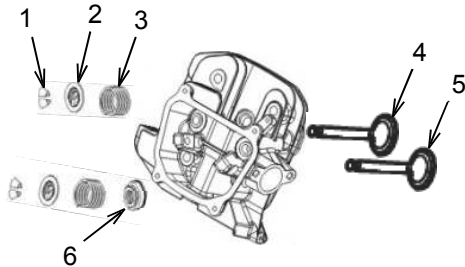
Remove valve cover bolts (1), breather tube (4), valve cover (2), and valve cover gasket (3).



Remove spark plug (1). Remove cylinder head bolts (7), and remove cylinder head (3). Remove cylinder head gasket (4) and discard used gasket. Remove locating pins (5) and set aside. Studs (2) and (6) can remain in the cylinder head for this procedure.



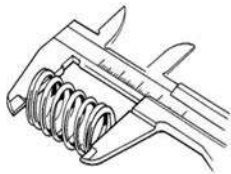
Remove locking nut (1) and adjusting nut (2). Remove pin (4), and remove exhaust valve rocker arm (3). Repeat the process for intake valve rocker arm (5). Check the rocker arms for wear. Replace if damaged. Remove pushrods (6). Inspect the pushrods. Make sure they are straight and not scored. Check the pushrod ends for wear. Replace the pushrods if worn or damaged.



Note: Do not remove the retainers (2) while the head is still on the engine or the valves will drop down into the cylinder.

Remove valve rotators (1). Press down on retainer (2) and move it to the side so that the valve stem will pass through the larger hole. Remove valve spring (3) and exhaust valve (4). Repeat the process for the intake valve (5) and intake valve retainer (6).

Valve Springs:



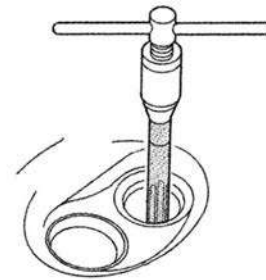
Check the free length of the valve spring. The normal free length is 37.5mm. If the free length is 37.5mm or less, replace the spring.

Model:	Normal:	Minimum:
RP5500	37.5mm	36mm
RP6500E RP7500E	37.5mm	36.5mm

Valve Guides:

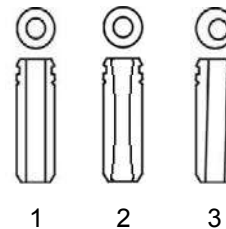
Inspect the valve guides. Make sure that they fit tightly into the cylinder head. Inspect the inner surfaces of the valve guides. The inner surface should be smooth, with no cracking or pitting. If the inner surface is damaged, replace the valve guide.

Valve Guides – Ream:



For best results perform this procedure when the valve guides and cylinder head are at room temperature.

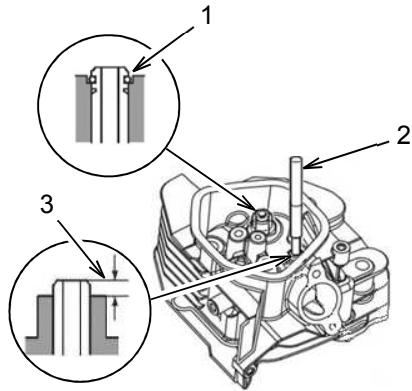
Make sure that the reamer is centered over the valve guide. Coat the reamer and valve guide with cutting oil. Turn the reamer clockwise and work it through the valve guide for the entire length of the reamer. Continue to turn it clockwise as you remove the reamer from the valve guide. Remove any carbon deposits and check the internal diameter of the valve guide. The normal diameter of the valve guide is 5.50mm. If the internal diameter of the valve guide is 5.572mm or more, either replace the valve guide or install inserts.



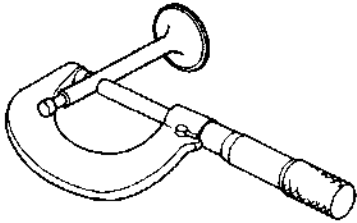
Check the valve guide bore. Insert the valve and make sure that it moves smoothly through the bore without any wobble. Figure 1 shows a good valve guide. Figure 2 shows a valve guide with abnormal wear that would allow the valve to wobble. The valve head could eventually break off and fall into the combustion chamber, damaging the engine. This valve guide must be reamed or replaced. Figure 3 shows a valve guide with a bore that is not centered. This valve guide must be replaced.

Valve Guides – Replace:

Place the new valve guides in the freezer compartment of your refrigerator for one hour. Use a valve guide driver to drive out the old valve guides. Take care that you do not damage the cylinder head while driving out the old valve guides.



Install the new valve guides from the valve spring side of the cylinder head. Use the valve guide driver (2) to drive the exhaust valve guide in until the clip is fully seated (1). Drive the intake valve guide in until the top of the valve guide extends 1mm above the cylinder head (3). After installation check each valve guide for damage. If damaged, repeat the removal and installation process using a new valve guide.



Use a micrometer to measure the outside diameter of the valve stem. Refer to the following table.

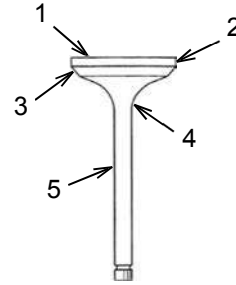
Model:	Valve:	Normal:	Minimum:
RP5500	Intake:	5.468mm	5.318mm
	Exhaust:	5.425mm	5.275mm
RP6500E	Intake:	5.48mm	5.318mm
RP7500E	Exhaust:	5.44mm	5.275mm

If the diameter of the valve is at or below the minimum, replace the valve.

Subtract the diameter of the valve stem from the internal bore of the valve guide to determine the valve stem-to-guide clearance. If the clearance is more than the maximum shown in the following chart, determine if a new guide or a new valve is the best choice to bring the clearance back into tolerance.

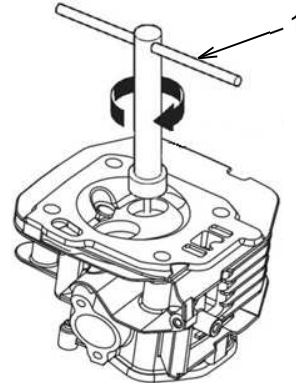
Valve:	Normal:	Maximum:
Intake:	0.02 – 0.044mm	0.10mm
Exhaust:	0.06-0.087mm	0.12mm

Valves:



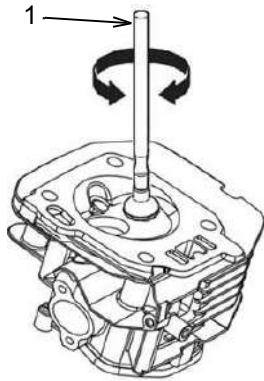
Check the valves for damage. Check the valve head (1), valve margin (2), and valve face (3) for damaged or burnt areas. Check the valve neck (4) for unusual wear. Check the valve stem (5) for wear, scoring, or bends. If any damage is found, replace the valve.

Remove any carbon deposits from the valve seats. Use a runout gauge to measure the concentricity of the seat. Alternatively, apply a light coat of a marking compound to the valve face and insert the valve into the head. Press the valve in firmly and then remove the valve. Check the paint for signs that the valve seat is not concentric. Remove the marking compound from both surfaces.



If the marking compound shows that the valve seat is not concentric, use a 45° valve seat cutter (1) to produce a smooth, concentric seat. Always turn the cutter clockwise. Use both the 45° valve seat cutter and the 32° valve seat cutter to adjust the valve seat so that it contacts the middle of the valve face. The 32° valve seat cutter removes material from the top of the seat. The 45° valve seat cutter removes material from the bottom of the seat. Be sure that when finished the area where the valve contacts the valve seat is from 0.8 to 2.0mm wide. To complete the procedure, make a light pass with the 45° valve seat cutter to remove any burrs that may be on the edge of the seat. When

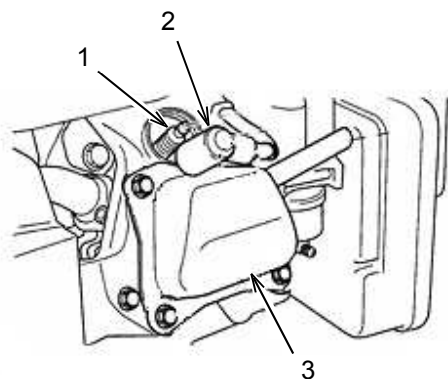
complete, use the marking compound to check for concentricity. Make sure that there is good contact all the way around the valve.



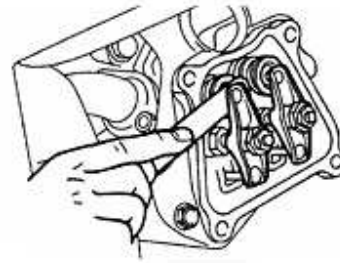
Apply lapping compound to the valve face and insert the valve into the cylinder head. Use a valve lapping tool (1) to finish surfacing the valve and valve seat. Remove any remaining compounds before assembling the cylinder head. Make sure that the pushrods are firmly seated in the lifters. After assembly, follow the Engine Valve Lash – Adjust and the Cylinder Pressure – Check procedures to ensure a proper assembly.

Engine Valve Lash – Adjust

Operating the engine with an improper valve adjustment can reduce engine efficiency. This reduced efficiency could result in excessive fuel usage and/or shortened engine component life.



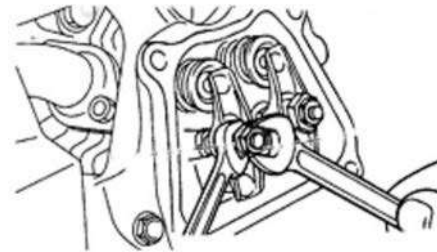
Remove spark plug cap (2), spark plug (1), valve cover (3), and valve cover gasket. Lightly pull the recoil starter until the piston is at top dead center.



Measure the valve clearance with a feeler gauge. Refer to the following chart.

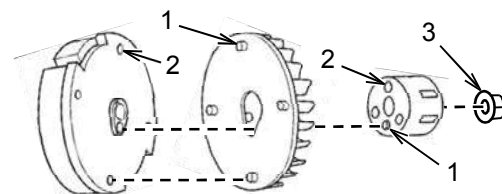
Valve Clearance	
Intake	0.05 ± 0.02mm
Exhaust	0.05 ± 0.02mm

If the clearance is outside of the tolerance range, adjust the clearance as follows:



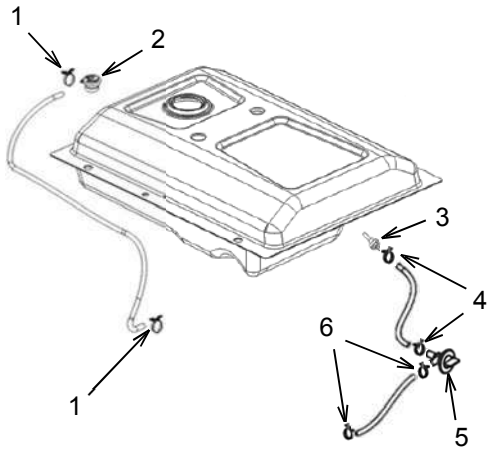
Loosen the locking nut. Turn the adjustment nut clockwise to decrease the gap. Turn the adjustment nut counterclockwise to increase the gap. When the valve clearance is within tolerance, tighten the locking nut to 8 ± 1 N·m (6 ± 1 lb ft). Reinstall the valve cover gasket and valve cover. Check the spark plug washer to ensure proper working condition. If the washer is damaged, replace the washer. Install the spark plug and tighten to 22 ± 2 N·m (16 ± 2 lb ft). DO NOT overtighten as this may damage the engine. Install the spark plug cap.

Flywheel - Install



Align the positioning pins (1) on the starter cup and both sides of the impellor with the holes (2) in the starter cup and flywheel. Place the assembly on the crankshaft. Secure the assembly to the crankshaft with nut (3). Tighten the nut to 95 ± 4 N·m (70 ± 3 lbf).

Fuel Line and Filter – Replace



Drain the fuel from the fuel tank into an appropriate container. Start the engine and let the engine run out of fuel. Turn the generator switch to the off “0” position.

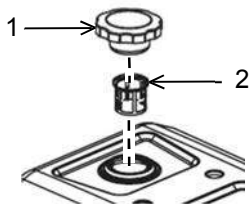
Move clamps (1) to the center of the fuel line. Remove the fuel line from the rollover sensor (2) and the air filter housing.

Move clamps (4) to the center of the fuel line. Remove the fuel line from the fuel filter (3) and the fuel valve (5). Remove the fuel filter. Wipe the mounting surface with a clean rag and install a new fuel filter. Tighten the fuel filter to 3 - 4 N·m (27 - 35 lb in).

Move clamps (6) to the center of the fuel line. Remove the fuel line from the fuel valve and the carburetor.

Measure the lengths of the old fuel lines and cut new pieces of fuel line that are the same lengths. Inspect the clamps. If the clamps are damaged discard the old clamps and use new clamps. Place two clamps near the center of each new fuel line and install the fuel lines. Position the clamps so that they will hold the fuel line securely in place.

Fuel Tank Cap and Strainer – Clean



Wipe off the fuel cap (1) and surrounding area before removing the fuel cap. Wiping off the fuel cap and surrounding area before removing the

fuel cap helps to reduce the amount of contaminants allowed into the fuel system.

Inspect the fuel cap. Make sure that the vent is not clogged. If plugged, use compressed air to clear the vent.

If there is a build-up of debris in the fuel strainer (2), remove the strainer and rinse out the strainer. Allow the strainer to dry before installing the strainer. If the strainer is damaged, replace the strainer.

Generator - Inspect

Once a month start the engine and run the engine until it reaches normal operating temperature (about 20 minutes). Plug in a corded device and turn on the device to ensure that the generator is providing power. Once you have verified that the generator is providing power, turn off the device and unplug it. Then turn the generator off.

Generator - Flash

Under certain conditions the generator can lose the residual magnetism that it needs for excitation. If this has occurred you may be able to charge the excitation field by following these steps:

1. Start the generator set
2. Plug a corded drill into one of the 120VAC receptacles.
3. Press the trigger on the drill, rotate the chuck backwards and then immediately release the trigger.
4. Press the trigger on the drill to see if it works.

You may have to repeat Steps 3 and 4 a few times.

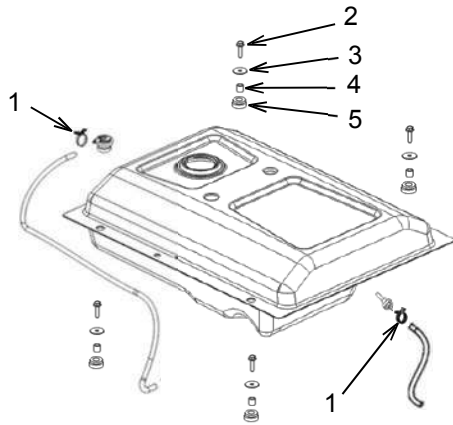
If the generator still does not provide power, refer to the Troubleshooting section in this manual.

Governor - Adjust

If the maximum engine speed cannot be brought into the proper range with the Engine Speed – Adjust procedure, the governor may need adjustment. You will need to remove the fuel tank and the control panel to adjust the governor.

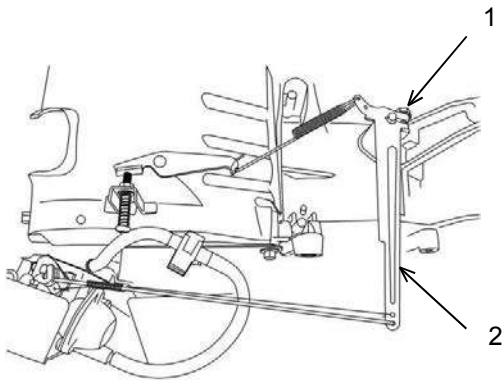
Drain the fuel from the fuel tank into an appropriate container. Start the engine and let

the engine run out of fuel. Turn the generator switch to the off "0" position.



Remove hose clamps (1) and fuel lines from the rollover sensor and the fuel filter. Remove all four bolts (2), washers (3), bushings (4), and sleeves (5). Lift off the fuel tank.

Remove the control panel by following the instructions in Control Panel – Service.



- Loosen nut (1)
- Make sure that the carburetor throttle valve is fully opened
- Rotate governor arm shaft (2) fully to the right
- Tighten nut (1)
- Make sure that the governor arm and throttle valve move freely
- Reinstall the control panel
- Reinstall the gas tank
- Start the engine and check the maximum engine speed

If the speed is not within range, repeat the Engine Speed – Adjust procedure.

High Altitude Kits

At higher altitudes, the standard air-fuel mixture

is too rich and will cause decreased performance and increased fuel consumption. A rich mixture will also foul the spark plug and make starting difficult. Operation at higher altitudes for extended periods of time may increase emissions.

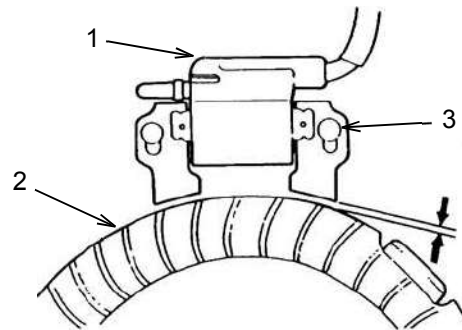
Proper operation can be ensured by installing a high altitude kit when required. An altitude kit consists of a smaller diameter main fuel jet and an adjustment to the pilot screw. Refer to Carburetor – Inspect/Adjust for instructions on replacing the main fuel jet.

Note: At elevations greater than 8000 feet above sea level, the engine may experience decreased performance even with the high altitude kit installed.

Ignition Coil – Test/Adjust

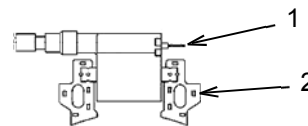
Drain the fuel from the fuel tank and the carburetor. Remove the fuel tank, air cleaner, carburetor, and recoil starter assembly.

Adjust the ignition coil:



Use a feeler gauge to measure the clearance between the ignition coil (1) and the flywheel (2). For the RP5500 the clearance should be 0.2 – 0.6mm. For the RP6500E and RP7500E the clearance should be 0.4 – 0.6mm. If the clearance is out of the acceptable range, loosen screws (3) and adjust the coil so that the clearance is within range. Retighten the screws.

Test the primary side of the ignition coil:

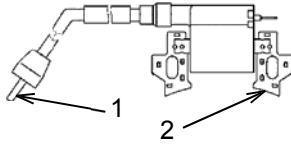


Measure the resistance of the primary coil by touching one lead of an Ohmmeter to the primary terminal (1) and touching the other lead to the metal frame (2). For the RP5500 the resistance should be from 0.6 – 0.9Ω. For the RP6500E and RP7500E the resistance should

be from 0.8 – 1.0Ω. If the resistance is not within the proper range, replace the coil.

Test the secondary side of the ignition coil:

Remove the spark plug cap from the spark plug wire, taking care to not damage the threads of the spark plug cap.



Measure the resistance of the secondary coil by touching one lead of an Ohmmeter to the spark plug wire (1) and touching the other lead to the metal frame (2). For the RP5500 the resistance should be from 5.6 – 6.6kΩ. For the RP6500E and RP7500E the resistance should be from 5.9 – 7.1kΩ. If the resistance is not within the proper range, replace the coil.

Measure the resistance of the sparkplug cap by touching one lead of an Ohmmeter to the wire end of the cap and the other lead to the spark plug end of the cap. For the RP5500 the resistance should be from 7.5 – 12.5kΩ. For the RP6500E and RP7500E the resistance should be 5kΩ. If the resistance is not within the proper range, replace the spark plug cap.

Insulation - Test

Use a megohmmeter to check the insulation resistance of the stator winding in the following situations:

- The generator set is removed from storage.
- The generator set is operating in a humid environment.
- The generator set is not protected from the elements.
- The generator set has not been run under load for three months or more.

Winding to Ground:

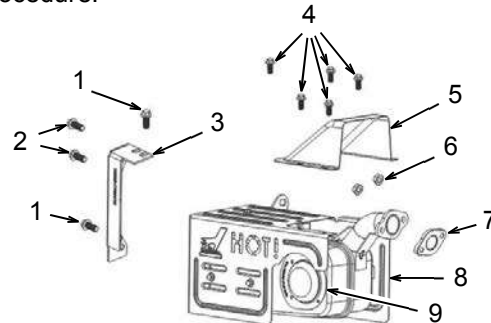
Connect one of the megohmmeter's terminals to the winding being tested, and the other terminal to ground. When the reading stabilizes the value shown is the winding to ground insulation resistance value. The value should be very high. If the value is not high, or if the value has decreased significantly from the last reading, replace the generator.

Collector Ring to Ground:

Connect one of the megohmmeter's terminals to one of the copper rings on the collector, and the other terminal to ground. When the reading stabilizes the value shown is the winding to ground insulation resistance value. The value should be very high. If the value is not high, or if the value has decreased significantly from the last reading, replace the generator.

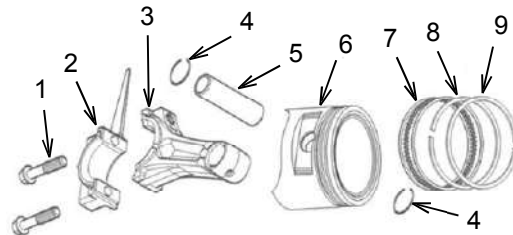
Muffler – Inspect/Replace

Allow the unit to cool before performing this procedure.



Remove bolts (1) and (2) and remove bracket (3). Remove bolts (4) and cover (5). Remove nuts (6) and lift muffler (8) off of the mounting studs. Discard used gasket (7). Removing the cover from the muffler is not recommended. Reinstall in reverse order using a new gasket (7). To service the spark arrestor, refer to Spark Arrestor – Inspect/Clean/Replace.

Piston – Inspect/Replace

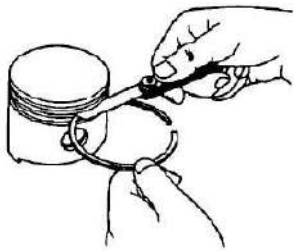


Remove the connecting rod bolts (1) and the rod cap (2). Push the connecting rod and piston out of the block. Remove any carbon deposits. Inspect the cylinder bore. If the cylinder wall is damaged, replace the crankcase. Use a ring puller to remove piston rings (7), (8), and (9). Inspect the rings. Replace if damaged or worn. Remove the piston pin clips (4) and piston pin (5). Measure the piston pin bore inside diameter. Measure the piston pin outside diameter. If the difference is 0.08mm or more, replace the worn part. Inspect the top of the piston (6) for burns

and cracks. Inspect the piston ring grooves for damage. If any damage or wear is found, replace the piston. Measure the piston skirt and compare the measurement to the following chart.

Model:	Normal:	Minimum:
RP5500	79.985mm	79.85mm
RP6500E RP7500E	89.985mm	89.975mm

If the measurement is less than the minimum value shown in the chart, replace the piston. Set the piston into the cylinder and measure the clearance between the piston and the cylinder wall by inserting a feeler gauge. If the clearance is 0.12mm or more, replace the piston.



Measure the ring clearance, as shown. Normal clearance for the RP5500 is between 0.015 – 0.045mm. Normal clearance for the RP6500E and RP7500E is between 0.030 and 0.060mm. If the clearance is 0.15mm or more, replace the piston.

Install the oil ring onto the piston and insert the piston into the cylinder. Measure the end gap of the oil ring. Normal values are shown in the chart below. If the end gap is 1.0mm or more, replace the oil ring. If the end gap is less than 0.20mm, use a fine file to increase the gap. Take care not to leave any sharp edges.

Ring Gap		
Model:	Top Ring / Second Ring:	Oil Ring:
RP5500	0.20 – 0.35mm	0.20 – 0.70mm
RP6500E RP7500E	0.20 – 0.40mm	0.15 – 0.35mm

Install the second ring onto the piston and insert the piston into the cylinder. Measure the end gap of the ring. Normal values are shown in the chart above. If the end gap is 1.0mm or more, replace the oil ring. If the end gap is less than 0.20mm, use a fine file to increase the gap. Take care not to leave any sharp edges. Repeat this procedure for the top ring.

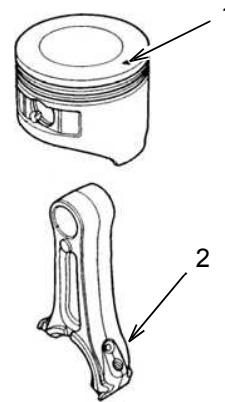
Connecting Rod:

Check the connecting rod. If the connecting rod is bent or cracked, replace the connecting rod. Measure the pin end inside diameter. Install the rod cap and measure the inside diameter of the crank end of the connecting rod. Normal diameters and service limits are shown in the chart below. If the diameter is at or exceeds the maximum value, replace the connecting rod.

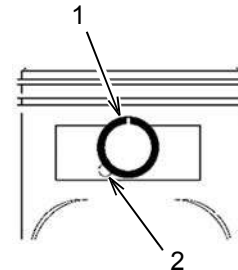
Connecting Rod Ends Inside Diameters		
Pin End:		
Model:	Normal:	Maximum:
RP5500	15.011mm	15.07mm
RP6500E RP7500E	20.005mm	20.07mm
Crank End:		
RP5500	33.02mm	33.07mm
RP6500E RP7500E	36.025mm	36.07mm

Installation:

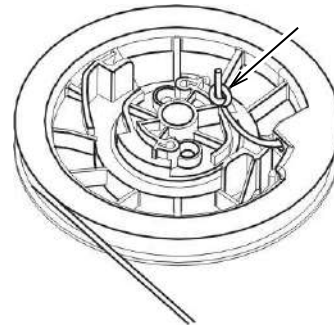
The piston head has a triangular mark to aid in assembly.



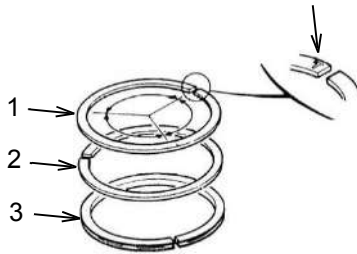
Place the connecting rod into the piston so that the longer side of the rod (2) is aligned with the mark on the piston head (1). Insert the piston pin through one side of the piston, through the connecting rod, and then through the other side of the piston.



Install the piston pin clip (1) into the groove in the side of the piston. Use long nosed pliers to rotate the clip in. Do not align the gap with the cutout (2). Repeat for the other side.

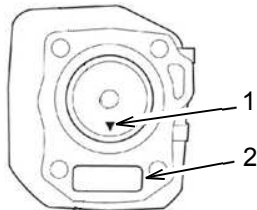
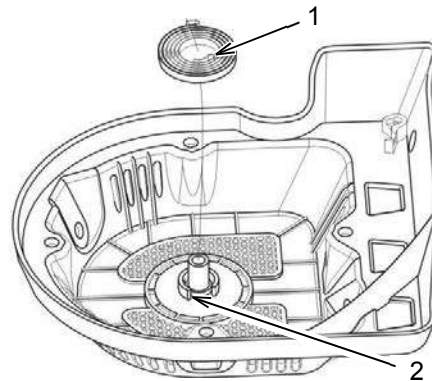


Rings:



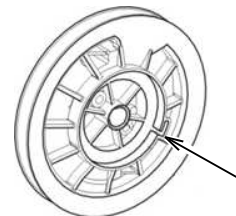
The piston rings have a mark next to the gap. Use a ring puller to install the rings with the mark facing toward the top of the piston. Make sure that you install the rings in the proper grooves, with the oil ring (3) in the lowest groove, the second ring (2) in the middle groove, and the top ring (1) in the groove closest to the head of the piston. The top ring is chrome plated. Make sure that the rings will move freely in the ring groove. Stagger the ring ends so that they are 120° apart, as shown in the drawing.

Pass the recoil starter cord through the hole in the recoil starter pulley and make a knot at the rope end as shown above.



Place the inside hook (1) of the recoil starter spring in the groove (2) of the recoil starter case and set the recoil starter spring into the case. Hold the spring in place.

Coat the piston, rings, and cylinder wall with engine oil. Use a ring compressor to push in the rings and insert the piston into the cylinder. Make sure that the mark on the piston head (1) aligns with the lifter mark (2) on the crankcase. Use a piston driver to push the piston out of the ring compressor and into the cylinder.



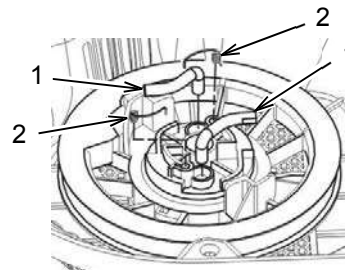
Install the rod caps and rod cap bolts. Tighten the bolts to 15±1 N·m.

Place the outside hook of the recoil starter spring in the groove of the recoil starter pulley and hold the pulley in place.

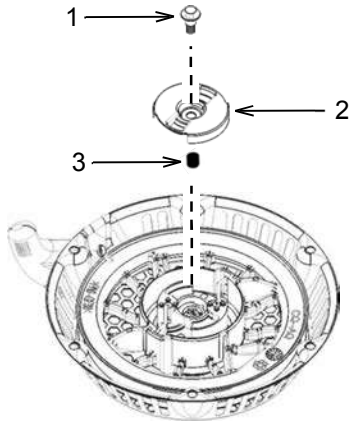
Recoil Starter Spring - Install

Note: It is recommended that you replace the entire recoil starter assembly.

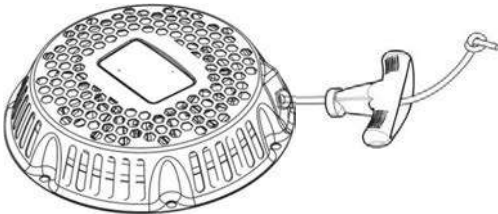
Inspect the parts. Replace any parts that are damaged or worn.



Set the starter drive cams (1) on the recoil starter pulley, and install the return springs (2) on the pulley and hook them on the side of the drive cams.



Install spring (3), drive guide (2), and fixing screw (1). Tighten the fixing screw to $9 \pm 1 \text{ N}\cdot\text{m}$ (6-7 lb ft).



Wrap the cord around the pulley. Pull lightly on the cord and push the end of the cord through the housing. Then push the end of the cord through the handle. Tie a knot in the end of the cord and let the spring pull the handle back to the housing. Pull lightly to make sure that the assembly is working properly.

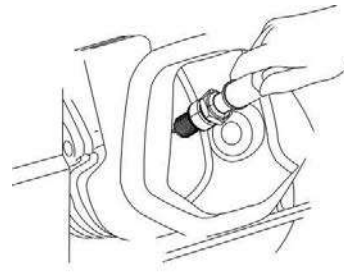
Spark – Check

DANGER

Shock/Electrocution Hazard: Do not operate this equipment or work on this equipment unless you have read and understand the instructions and warnings in the Owner's Manual. Failure to follow the instructions or heed the warnings will result in serious injury or death.

Make sure that your hands are dry and that you are not electrically grounded.

To reduce the risk of a flash fire, make sure that there is no open fuel in the vicinity. Turn the fuel valve to the off "0" position, and drain the fuel out of the carburetor.



- Remove the spark plug cap and spark plug
- Pull the recoil starter handle to drain the fuel from the cylinder
- Install the spark plug cap onto the spark plug
- Turn the generator switch to the on "1" position.
- Hold the spark plug by the spark plug cap and gently place the threads of the spark plug against the cylinder head as shown above.
- Pull the recoil starter handle and check for a spark.
- If the spark is weak or if there is no spark, refer to Spark Plug – Inspect/Adjust/Replace.
- If the spark plug is not the problem, refer to Ignition Coil – Inspect.

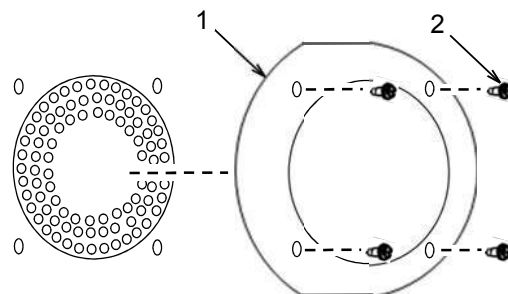
Spark Arrestor - Inspect/Clean/Replace

This unit has a spark arrestor fitted to the exhaust outlet of the muffler. The spark arrestor should be cleaned with a soft wire brush after every 50 hours or 3 months of use. The spark arrestor should be replaced after every 100 hours of operation.

WARNING

Hot parts or hot components can cause burns or personal injury. Do not allow hot parts or components to contact your skin. Use protective clothing or protective equipment to protect your skin.

DO NOT perform this maintenance procedure until the muffler has cooled.

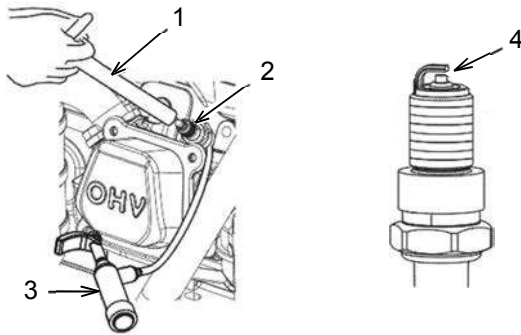


Remove screws (2). Remove spark arrestor (1)
Check the spark arrestor. Carefully clean the spark arrestor with a soft wire brush. If the spark arrestor is damaged, replace the spark arrestor.

To install the spark arrestor, align the mounting holes in the spark arrestor with the mounting holes on the muffler. Insert screws (2) and tighten securely.

Spark Plug – Inspect/Adjust/Replace

Refer to the Specifications section of this manual to determine the proper spark plug part number and spark plug gap for your product.

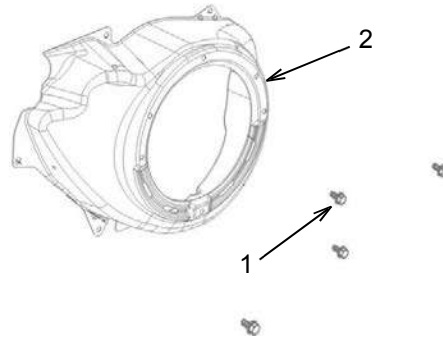


1. Remove the side panel.
2. Remove the spark plug cap (3)
3. Use the plug wrench (1) or a ratchet and a 13/16" spark plug socket to remove the spark plug
4. Visually check the spark plug to see if it is damaged. If the insulator is cracked, replace the spark plug. If the electrode is damaged, replace the spark plug.
5. Measure the plug gap (4) with a feeler gauge. The gap should be from 0.7mm - 0.8mm (028 - .032 inches). Adjust the gap as necessary by carefully bending the side electrode, if needed.
6. Check the spark plug washer to ensure proper working condition. If the washer is damaged, replace the washer.
7. Install spark plug and tighten to 22 ± 2 N·m (16 ± 2 lb ft). DO NOT overtighten as this may damage the engine.
8. Install the spark plug cap.

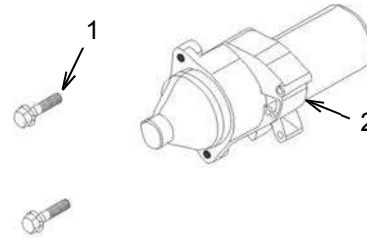
Starter – Replace (If Required)

Disconnect the negative battery cable from the battery and secure it so that it will not contact the battery.

Remove the recoil starter if additional clearance is needed to reach the bolts.

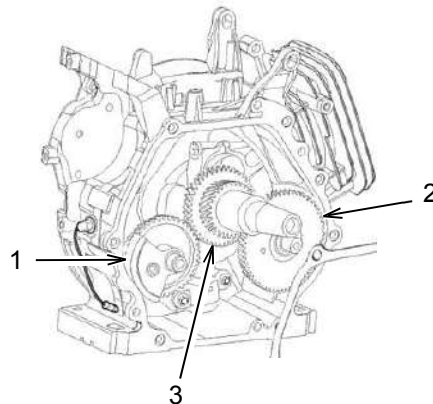


Remove bolts (1) and shroud (2).



Remove starter mounting bolts (1) from the front of the crankcase and remove starter (2) from the side of the crankcase. Reinstall in reverse order.

Timing Gear – Inspect/Replace



The engine has three shafts, the balancing shaft (1), camshaft (2), and the crankshaft (3). Inspect the gears on each of the shafts. If the gears are worn or any teeth are broken, replace the gear. Check the engagement of the gears. If the gears fit together too loosely the engine will run louder than normal. It is recommended that you replace the gears if the engagement is loose. If you must replace the gears or shafts, replacing them one at a time will lessen the chance of assembling them incorrectly.

The crankshaft and cam shaft both have alignment marks on the gear face. Use these marks to align the gears during assembly. When

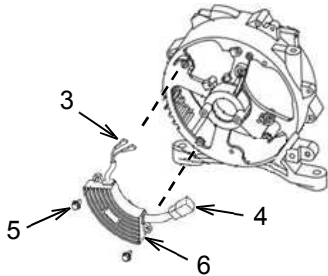
aligning the marks, make sure that the piston is at the top dead center position.

Voltage Regulator – Replace

The voltage regulator is located behind the cover of the generator.



Remove bolts (1) and remove motor cover (2).



Disconnect leads (3) from the brush and unplug connector (4). Remove bolts (5) and voltage regulator (6). Reinstall in reverse order. The red lead goes onto the “+” terminal of the brush. The white lead goes onto the “-” terminal of the brush.

Walk-Around Inspection

Before starting the engine perform a visual inspection of the unit. Look for:

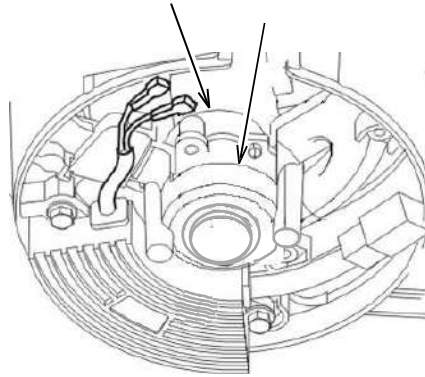
- Proper oil level
- Proper fuel level
- Good quality fuel
- Fluid leaks
- Loose clamps
- Loose bolts
- Cracked fuel line
- Loose or frayed wiring
- Built up debris

In addition, make sure that:

- The ground strap is properly connected
- The circuit breakers are in off “0” position
- The choke knob is pulled out
- The fuel switch is in the on “1” position

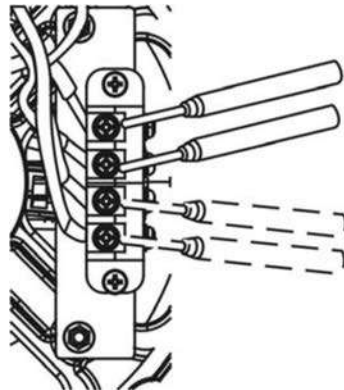
Windings – Test

Field Winding:



Remove the brush. Use an Ohmmeter or multimeter to measure the resistance of the collector ring at the points shown. The resistance should be $58.5\Omega \pm 10\%$ at 25°C . If the resistance is out of tolerance, clean the collector ring and retest. Replace the alternator if necessary.

Main Winding:



On the terminal block, use an Ohmmeter or multimeter to measure the resistance of the main winding. Place the meter across alternating current output terminals and measure all. The resistance should be $0.35\Omega \pm 10\%$ at 25°C . If the resistance is out of tolerance, replace the alternator. Measure the resistance from each wire to ground. The resistance should be infinite. If the resistance is not infinite, replace the alternator.

STORAGE

When a generator is in storage, moisture may condense in the windings. In order to minimize condensation, always store the generator in a dry area. Cover the generator with a protective cover that extends to the ground. The cover should remain loose around the generator in order to allow proper ventilation.

Storage for 1 – 3 months

Remove any dirt, rust, grease, and oil from the generator. DO NOT use a pressure washer to clean the generator. Inspect the exterior. Make any necessary repairs.

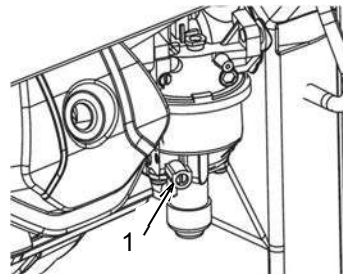
Add fuel stabilizer to the fuel tank to prevent the gasoline from going bad. Start and run the engine for 10 minutes to ensure that the fuel stabilizer has been pulled in to the carburetor. Shut off the engine and allow the engine to cool.

Turn the fuel valve to the off “0” position.

Move the generator to the storage place. Cover the generator.

Storage for more than 3 months

Remove any dirt, rust, grease, and oil from the generator. DO NOT use a pressure washer to clean the generator. Inspect the exterior. Make any necessary repairs.



DANGER

Gasoline is extremely flammable and is explosive under certain conditions. Drain the fuel in a well-ventilated area with the engine stopped and cool. Never smoke or allow flames or sparks in the area during this procedure.

Make sure that the fuel valve is in the on “1” position. Remove the fuel cap and the drain plug (1) from the carburetor bowl and drain the fuel into a suitable container. DO NOT save the fuel for future use in the generator. Once the fuel has completely drained from the system install the drain plug into the carburetor. Turn the fuel valve to the off “0” position. Apply a small amount of oil to the threads on the fuel tank filler neck and install the cap.

Change the engine oil.

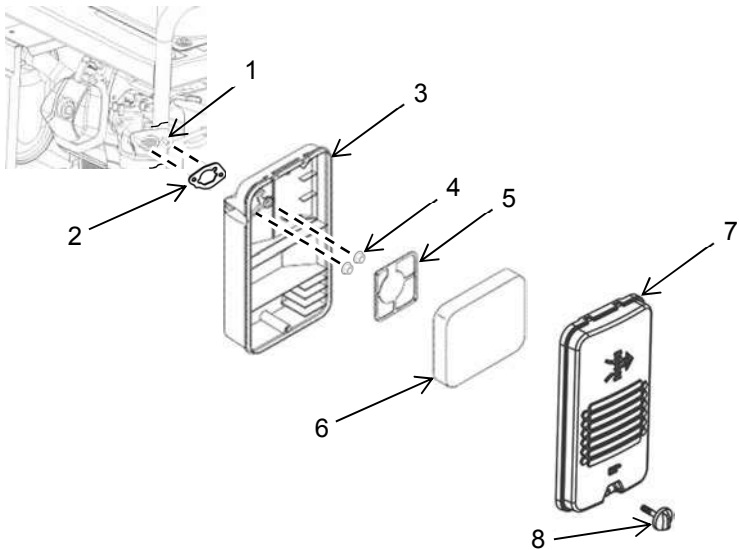
Remove the spark plug and pour a small amount of oil into the cylinder. Install the spark plug but do not install the spark plug cap. Pull the starter handle 3 times to distribute the oil over the cylinder walls.

Remove the battery and place the battery in storage. Periodically check the battery and charge the battery when needed.

Move the generator to the storage place. Cover the generator.

DIAGRAMS

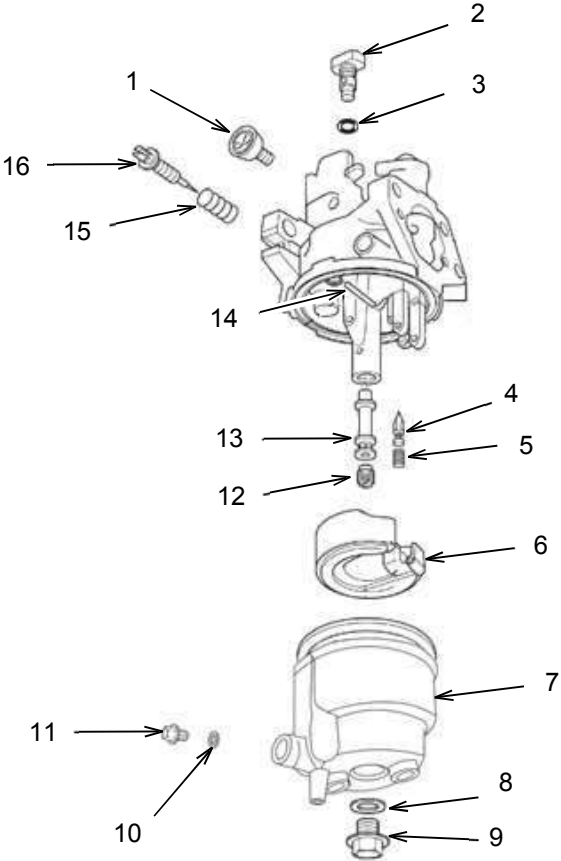
Air Filter Assembly



- 1. Mounting studs
- 2. Gasket
- 3. Housing
- 4. Nut 6mm

- 5. Support
- 6. Filter element
- 7. Cover
- 8. Cover bolt

Carburetor

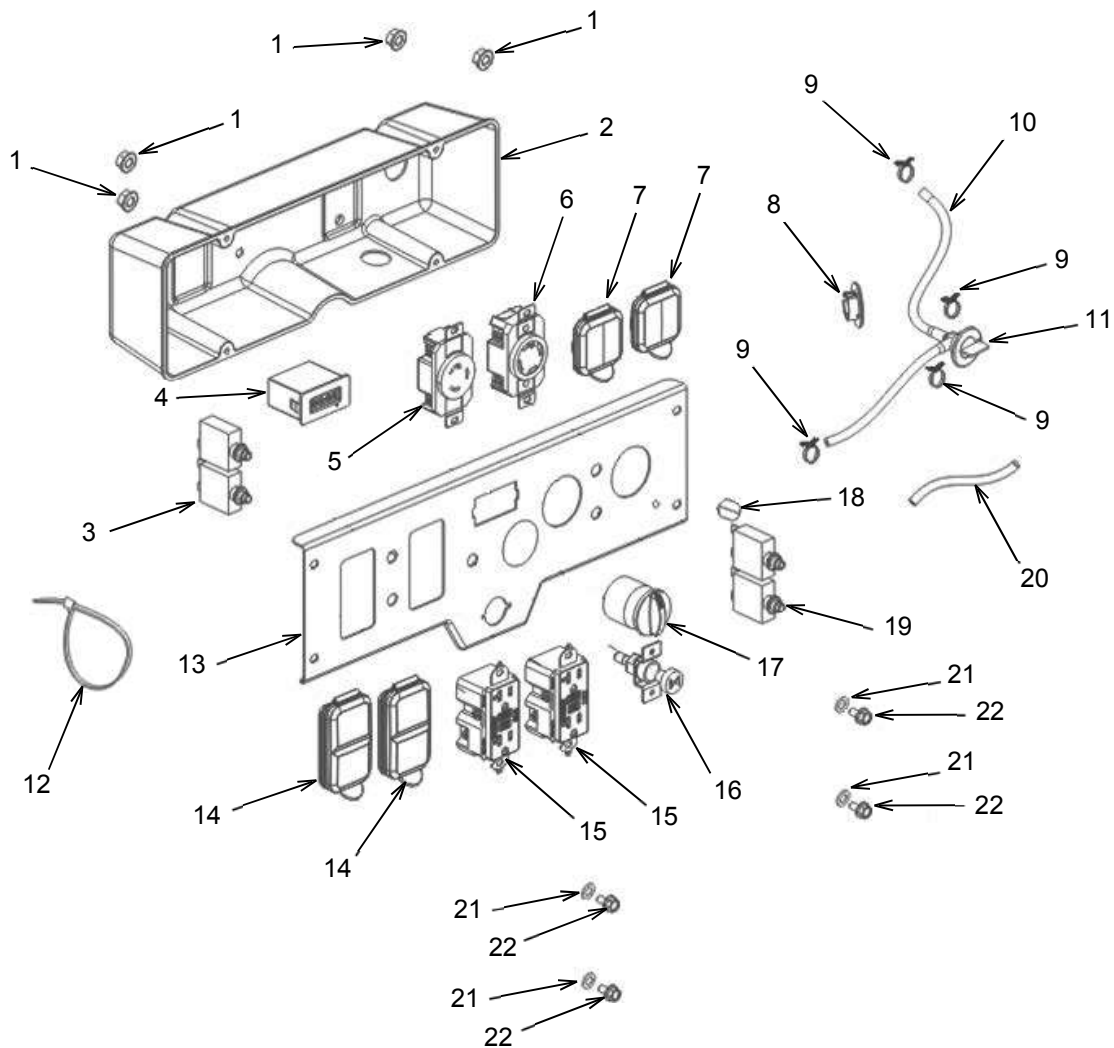


- 1. Idle speed screw
- 2. Pilot jet
- 3. Seal
- 4. Float valve
- 5. Float spring
- 6. Float

- 7. Float chamber
- 8. Gasket
- 9. Bolt
- 10. Gasket
- 11. Drain bolt
- 12. Main jet

- 13. Nozzle
- 14. Float pin
- 15. Spring
- 16. Pilot screw

Control Panel

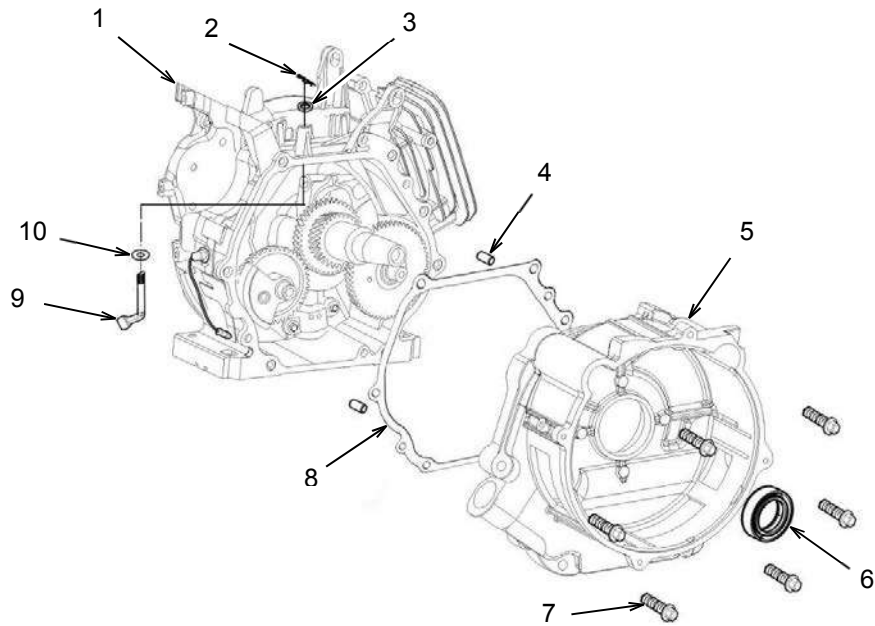


- | | |
|-------------------------------------|--------------------------------------|
| 1. Nut (7mm) | 12. Cable tie |
| 2. Cover | 13. Panel |
| 3. Circuit breaker | 14. Duplex cover |
| 4. Display | 15. Receptacle – 120 VAC GFCI duplex |
| 5. Receptacle – 120 VAC twist lock* | 16. Choke assembly |
| 6. Receptacle – 240 VAC twist lock | 17. Generator switch |
| 7. Cover** | 18. Panel light |
| 8. Fuel valve clip | 19. Circuit breaker |
| 9. Hose clamp | 20. Sleeve |
| 10. Fuel line | 21. Washer |
| 11. Fuel valve | 22. Bolt (10x19mm) |

* - Not included on RP5500

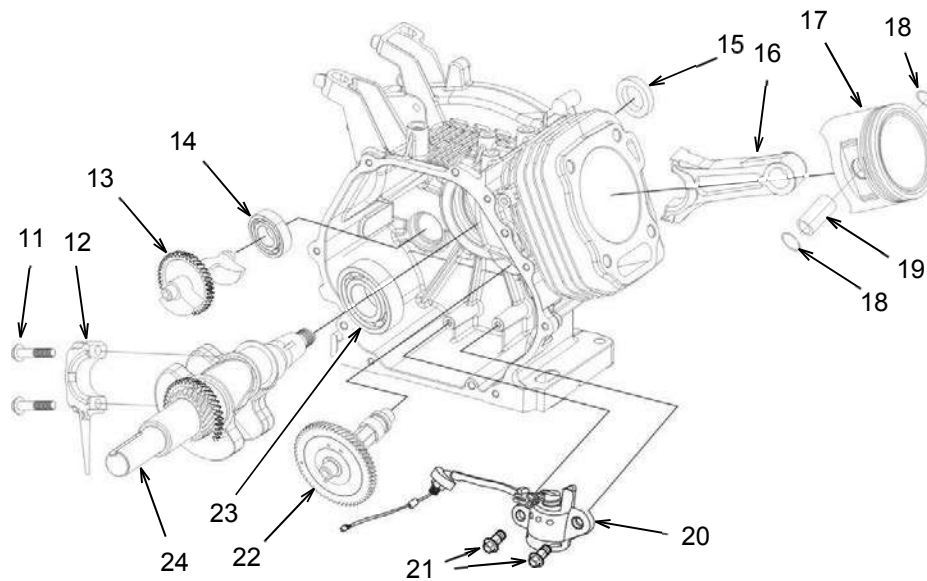
** - Only one included on RP5500

Crankcase and Piston



1. Crankcase
2. Governor pin
3. Seal
4. Locating pin
5. Crankcase cover

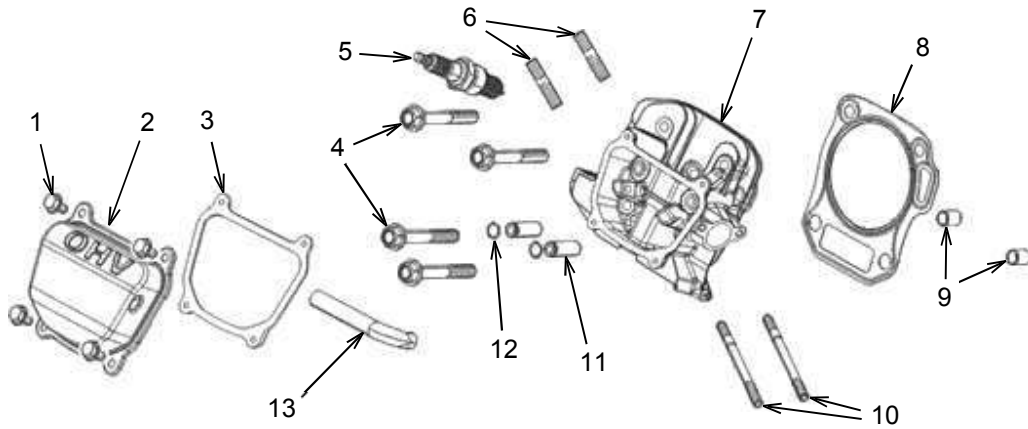
6. Seal (55mm)
7. Bolt (M8x40)
8. Crankcase gasket
9. Governor arm
10. Washer



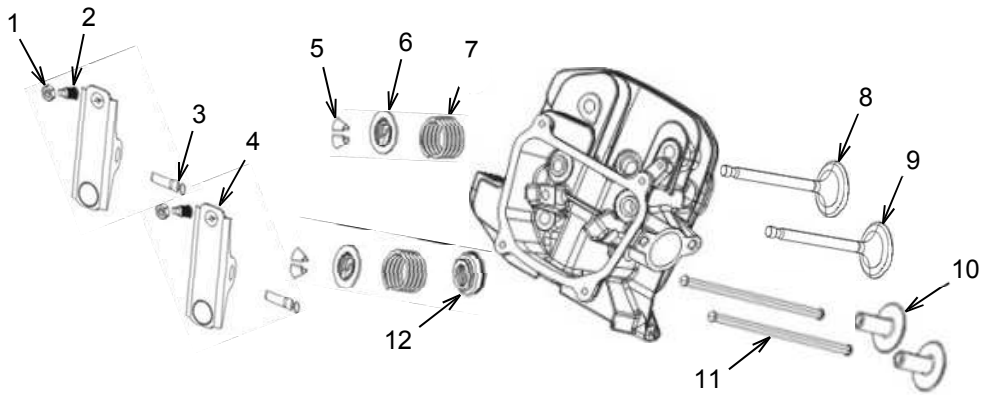
11. Connecting rod bolt (M15x44)
12. Connecting rod cap
13. Balance shaft
14. Bearing
15. Seal (55mm)
16. Connecting rod
17. Piston

18. Piston pin clip
19. Piston pin
20. Oil sensor
21. Bolt (M6x16)
22. Camshaft
23. Crankshaft bearing
24. Crankshaft

Cylinder Head and Valves

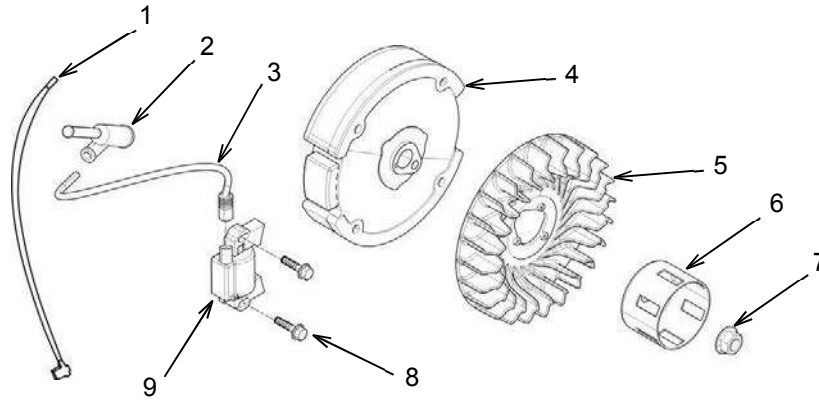


- | | | |
|------------------------|-------------------------|-------------------|
| 1. Valve cover bolt | 6. Stud 8x34mm | 11. Valve guide |
| 2. Valve cover | 7. Cylinder head | 12. Clip |
| 3. Valve cover gasket | 8. Cylinder head gasket | 13. Breather tube |
| 4. Cylinder head bolts | 9. Pin | |
| 5. Spark plug | 10. Stud 9x112mm | |



- | | |
|-------------------|------------------|
| 1. Locking nut | 7. Spring |
| 2. Adjusting nut | 8. Exhaust valve |
| 3. Rocker arm pin | 9. Intake valve |
| 4. Rocker arm | 10. Lifter |
| 5. Valve rotator | 11. Push rod |
| 6. Retainer | 12. Retainer |

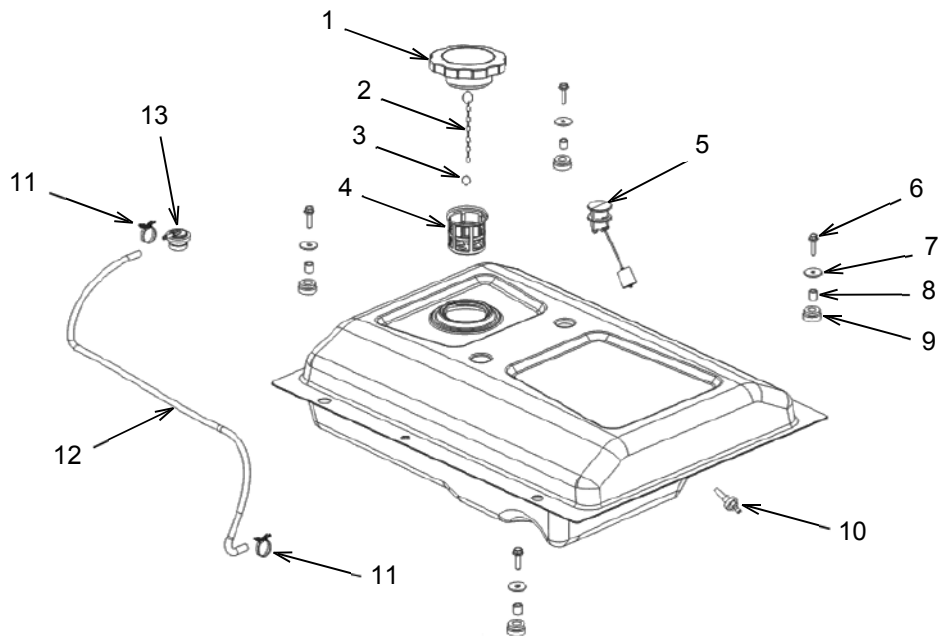
Flywheel



1. Tie wrap
2. Spark plug cap
3. Spark plug wire
4. Flywheel
5. Impeller

6. Starting cup
7. Nut 16mm
8. Bolt 6x25mm
9. Ignition coil

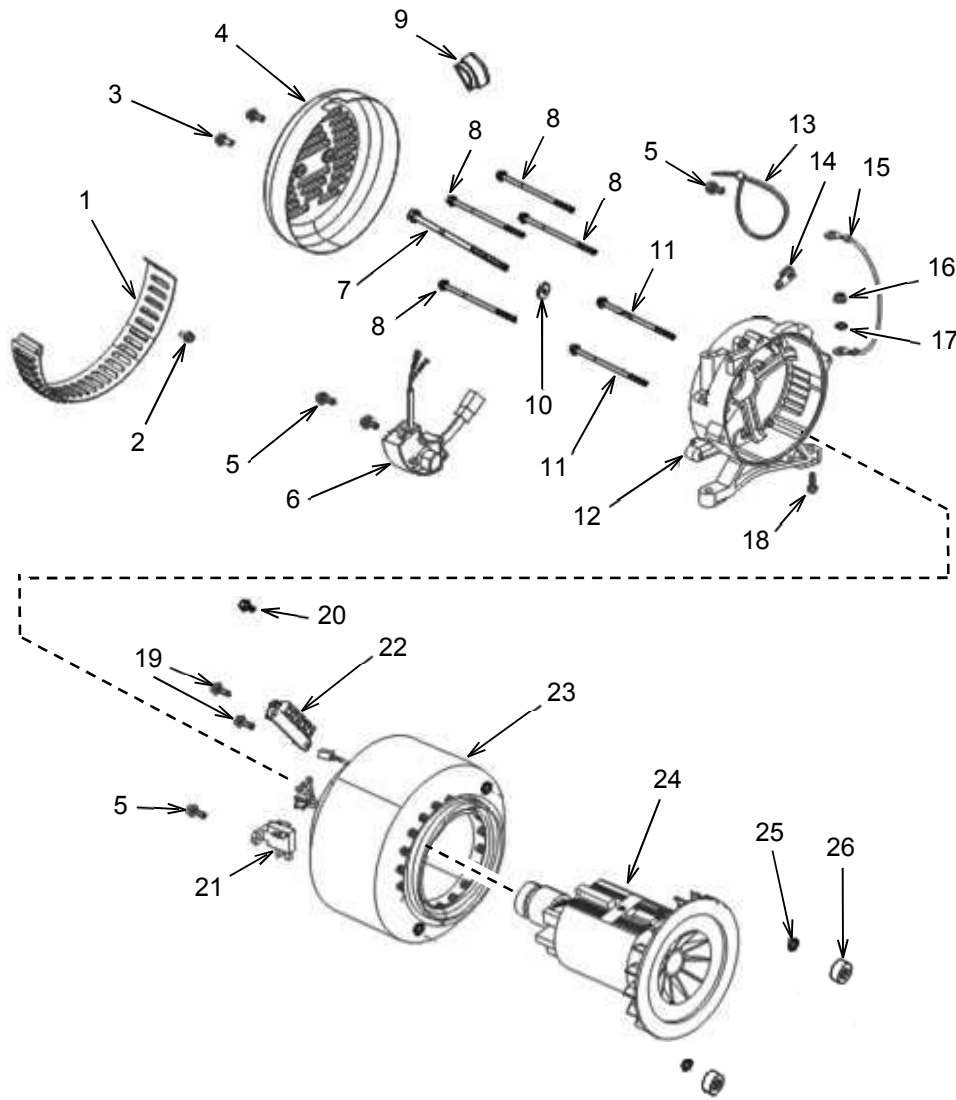
Fuel Tank



1. Fuel cap
2. Chain
3. Clip
4. Fuel strainer
5. Fuel gauge
6. Bolt (32x14mm)
7. Washer

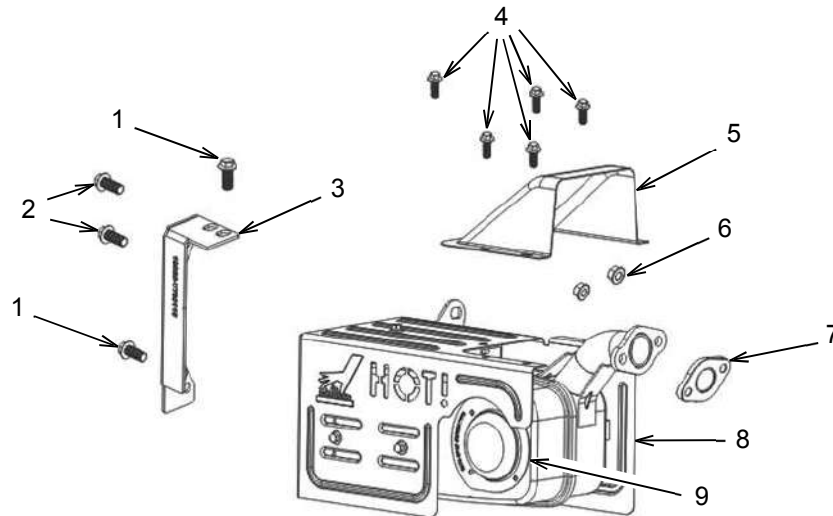
8. Bushing
9. Sleeve
10. Fuel filter
11. Hose clamp
12. Fuel line
13. Rollover valve

Alternator



- | | | |
|----------------------|--------------------------|--------------------|
| 1. Shroud | 10. Washer (33mm) | 19. Bolt (20x12mm) |
| 2. Bolt (15x13mm) | 11. Bolt (225x15mm) | 20. Bolt (16x12mm) |
| 3. Bolt (16x12mm) | 12. Bracket | 21. Brush assembly |
| 4. Cover | 13. Band | 22. Terminal block |
| 5. Bolt (21x12mm) | 14. Terminal (Grounding) | 23. Stator |
| 6. Voltage regulator | 15. Wire (Ground) | 24. Rotor |
| 7. Bolt (287x20mm) | 16. Nut (M15) | 25. Washer |
| 8. Bolt (195x13mm) | 17. Lock washer | 26. Nut (M10) |
| 9. Cover | 18. Bolt (19x8mm) | |

Muffler

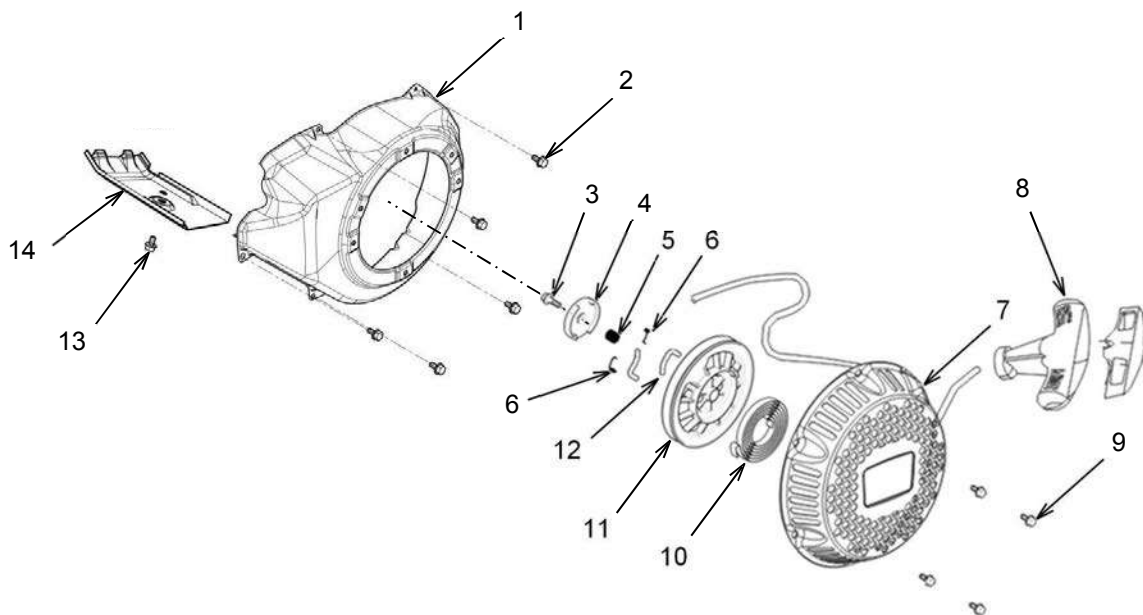


- 1. Bolt (18x24mm)
- 2. Bolt (18x24mm)
- 3. Bracket

- 4. Bolt (18x13.5mm)
- 5. Cover
- 6. Nut (M13)

- 7. Gasket
- 8. Muffler assembly
- 9. Spark arrester

Recoil Starter



- 1. Shroud
- 2. Bolt 6x10mm
- 3. Locking screw
- 4. Drive guide
- 5. Spring

- 6. Return spring
- 7. Housing
- 8. Handle assembly
- 9. Bolt 6x12mm
- 10. Starter Spring

- 11. Recoil starter pulley
- 12. Drive cams
- 13. Bolt 6x12mm
- 14. Cylinder body shroud

TROUBLESHOOTING

Issue:	Possible Cause:	Solution:	Check:
Engine Will Not Start	Generator switch in the off "0" position	Turn the generator switch to the correct position.	Start the engine
	Choke knob in the wrong position	Place the choke knob in the correct position.	
	Not enough oil in the engine	Check the oil level. If low, add the recommended oil. Refer to Engine Oil Level – Check for the proper oil.	
	Dirty air filter	Check the air filter. Clean or replace as needed.	
	Battery discharged or defective	If equipped. Start the engine using the recoil starter. If the generator starts, check the battery. If the battery is providing less than 12.4 volts, replace the battery.	
	No fuel	Fill the fuel tank	
	Old or contaminated fuel	Drain and refill if necessary.	
	No fuel at the carburetor	Make sure the fuel switch is in the on "I" position.	
		Check the vent in the fuel cap. If vent is plugged clean the vent.	
	Not enough fuel to the engine	Make sure the needle valve is closing properly. Clean or replace as needed.	
		Inspect the fuel nozzle. Clean if needed.	
		Inspect the float. If the float is damaged or sticking, repair or replace as needed.	
	Engine flooded	Wait 5 minutes.	
		Remove and clean the spark plug. Suction out fuel or let fuel evaporate before reinstalling spark plug.	
	No spark	Inspect the spark plug. Clean the spark plug, adjust the spark plug gap, or replace the spark plug as necessary.	
		Inspect the spark plug wire. Replace if damaged. Check the resistance. If the resistance is out of tolerance, replace the wire.	
		Inspect the ignition coil. Replace if damaged. Check the resistances. If any of the resistances are out of tolerance, replace the ignition coil.	
		Inspect the gap between the ignition coil and flywheel. Adjust gap if necessary.	
		Inspect the magneto. Replace if needed.	
		Check the wiring to make sure that none of the wires are shorted to ground.	
	Cylinder pressure	Inspect the cylinder head bolts to make sure they are properly torqued to 40±3 N·m. Tighten if needed.	
		Check the valve clearance and seats. Adjust or repair as needed.	
		Inspect the cylinder head gasket. Replace if damaged.	
Inspect the cylinder head and cylinder block surfaces for flatness. Repair or replace if out of tolerance.			
Inspect the piston rings. If the piston rings are worn or broken, replace the piston rings.			
If the engine still will not start:	Rebuild the engine, replace the engine, or consider replacing the unit.		

Issue:	Possible Cause:	Solution:	Check:
Engine Starts But Runs Rough or Does Not Have Enough Power	Dirty air filter	Check the air filter. Clean or replace as needed	Start the engine. Check if it has power or runs rough
	Choke knob in the wrong position	Place the choke knob in the correct position.	
	Air in fuel line or fuel line clogged	Check the fuel line. Clear or replace as needed.	
	Not enough fuel to the engine	Make sure the needle valve is closing properly. Clean or replace as needed.	
		Inspect the fuel nozzle. Clean if needed.	
		Inspect the float. If the float is damaged or sticking, repair or replace as needed.	
	Carbon built up in combustion chamber	Remove the cylinder head and clean if needed.	
	Cylinder pressure	Check the valve clearance and seats. Refer to the Maintenance Specifications chart and the Engine Valve Lash – Adjust article for the proper value. Adjust or repair as needed.	
		Inspect the cylinder head gasket. Replace if damaged.	
Inspect the piston rings. If the piston rings are worn or broken, replace the piston rings.			
If the engine still has low power:	Rebuild the engine, replace the engine, or consider replacing the unit.		
Engine Shuts Down	Out of fuel	Check the fuel level. Fill the tank if necessary.	Start the engine. Check if it shuts down
	Not enough oil in the engine	Check the oil level. If low, add the recommended oil. Refer to the Engine Oil Level-Check article for the proper oil to use.	
	Dirty air filter	Clean the air filter.	
	Generator overloaded	Unplug some of the devices.	
	If the engine still shuts down:	Rebuild the engine, replace the engine, or consider replacing the unit.	
Engine Making Unusual Sound	Knocking	Check the engine temperature. If the engine is running too hot, refer to the section on overheating.	Start the engine. Check for unusual sound
		Make sure the fuel is good and the proper rating. Drain and refill the fuel tank if necessary.	
		Make sure the flywheel is properly tightened to the crankshaft. Refer to Flywheel – Install for the proper torque.	
		Check the valve clearance. Refer to the Maintenance Specifications chart and the Engine Valve Lash – Adjust article for the proper value. Adjust the valve clearance if it is out of tolerance.	
		Check for carbon deposits in the cylinder. Clean if needed.	
		Inspect the piston and piston rings. If the piston or rings are worn or broken, replace the defective part.	
		Inspect the piston pin and piston pin hole. Replace if worn.	
		Inspect the connecting rod ends. Replace if worn.	
	Inspect the main bearing. Replace if worn.		
	If the engine still makes an unusual sound:	Rebuild the engine, replace the engine, or consider replacing the unit	

Issue:	Possible Cause:	Solution:	Check:
Engine Overheating	Low Oil	Check the oil. Refill the oil or change the oil as needed.	Start the engine and let it reach operating temperature. Check the temperature.
	Exhaust pipe blocked	Check the exhaust pipe. If the exhaust pipe is blocked, clear the blockage.	
	Debris in cooling fins	Remove the debris.	
	Improper governor setting	Check the engine speed. Adjust governor as needed.	
	Impellor shroud leaking	Inspect shroud. Repair or replace as needed.	
	Cylinder or piston or piston ring worn	Inspect cylinder, piston, and piston rings. Replace if needed.	
	Connecting rod deformed	Inspect connecting rod. Replace if needed.	
	If the engine still overheats:	Rebuild the engine, replace the engine, or consider replacing the unit	
Engine Runs, But Generator Provides No Power or Low Power	Low engine speed	Check the engine speed. . Refer to Engine Speed - Adjust if needed.	Start the engine and check the output voltage
	Circuit breaker is open	Close the circuit breaker.	
	Bad connection	Stop the engine and check the connections.	
	Defective power cord	Replace the cord.	
	Defective device plugged in	Unplug defective device.	
	Bad AVR connection or defective AVR	Check the voltages and connections. Tighten any loose connections. Replace the AVR.	
	Poor carbon brush contact	Clean the surface of the collector ring and the carbon brush arc surface.	
	Improper brush pressure	Adjust or replace the spring.	
	Poor stator or rotor lead contact	Check the contacts. Tighten or replace as needed.	
	Poor panel, meter, or socket contact		
	Magnetic field lost	Flash the generator.	
	Defective winding or winding connection	Check each winding. Check connections to ground. Check the insulation. Check the excitation loop for an open circuit. Tighten any loose connections and replace any defective parts.	
	If there is still no power or low power:	Rebuild the generator, replace the generator, or consider replacing the unit.	
Stator Core Overheating	High stator voltage	Adjust the voltage.	Start the engine and let it reach operating temperature. Check the stator temperature.
	Excitation current too high	Reduce the load on the generator.	
	Low engine speed	Check the engine speed. Refer to Engine Speed - Adjust if needed.	
	Friction between the stator and rotor	Look for signs of wear on the rotor core. Remove any high spots.	

Issue:	Possible Cause:	Solution:	Check:
	Stator winding temperature too high	Refer to the section on “Stator Winding Overheating”	
	If the stator core is still overheating:	Rebuild the generator, replace the generator, or consider replacing the unit.	
Stator Winding Overheating	Too much load	Reduce the load on the generator.	Start the engine and let it reach operating temperature. Check the stator temperature.
	Vent blocked	Check the vents. Clean as needed.	
	Open circuit in stator winding	Check the windings for an open circuit. Repair or replace as needed.	
	Stator winding grounded	Check for a winding that is shorted to ground. Repair or replace as needed.	
	If the stator winding is still overheating:	Rebuild the generator, replace the generator, or consider replacing the unit.	
Rotor Winding Overheating	Low engine speed	Check the engine speed. Adjust if needed.	Start the engine and let it reach operating temperature. Check the rotor temperature.
	Airway blocked	Ensure that all of the air passages are not blocked. Clean the generator if needed.	
	Open circuit in rotor winding	Check the windings for an open circuit. Repair or replace as needed.	
	Rotor winding grounded	Check for a winding that is shorted to ground. Repair or replace as needed.	
	Friction between the stator and rotor	Look for signs of wear on the rotor core. Remove any high spots.	
	If the rotor winding is still overheating:	Rebuild the generator, replace the generator, or consider replacing the unit.	

APPENDIX

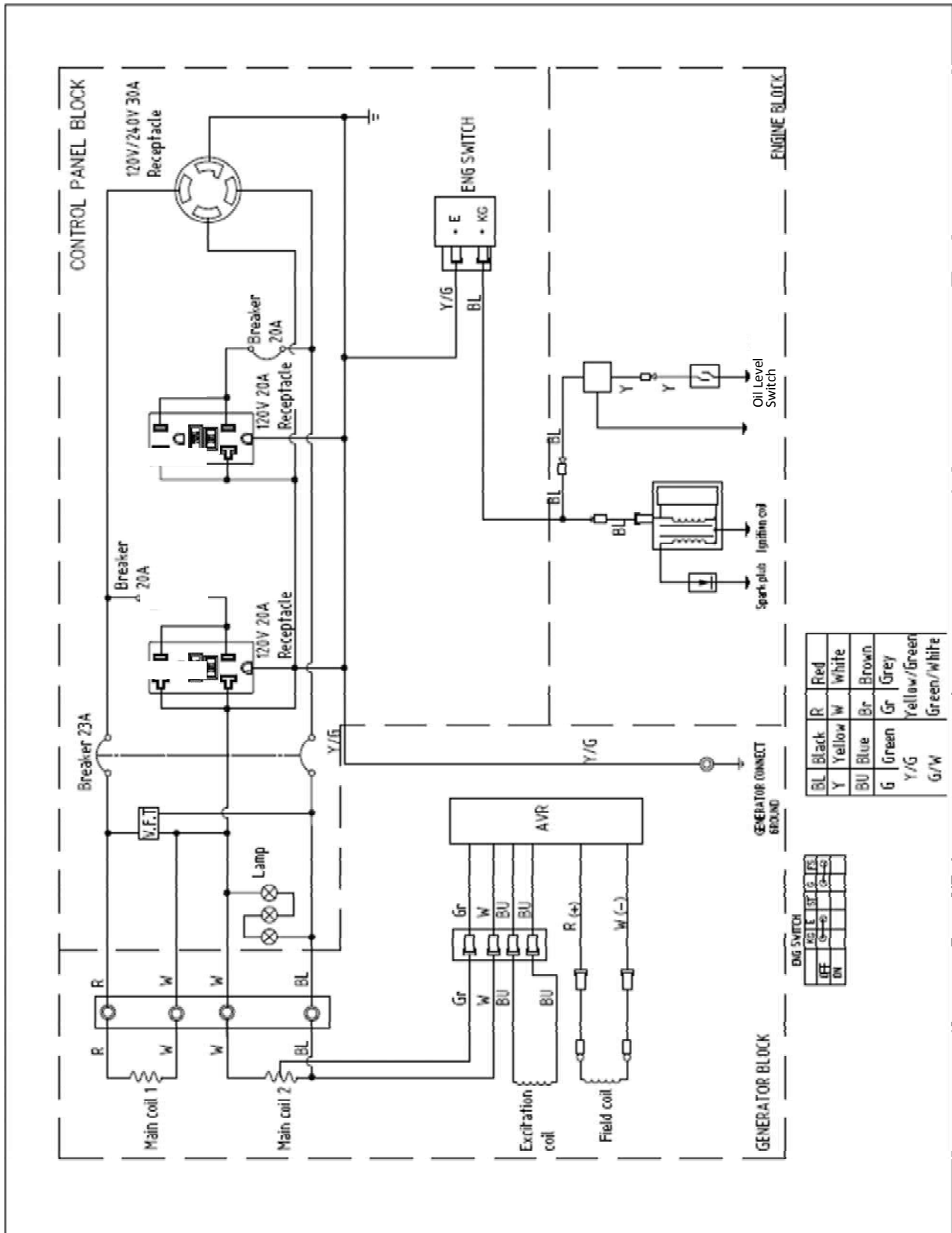
Product Specifications

	Item	RP5500	RP6500 E	RP7500 E
Engine	Engine Type	Single Cylinder, 4-Stroke, Forced Air Cooling, OHV		
	Displacement (cc)	301	420	420
	Ignition System	Transistorized Magneto		
	Fuel Volume (L)	28.5		
	Fuel Consumption (g/(kW·h))	≤374		
	100% load continuous running time (hr)	10	7.5	7.5
	50% load continuous running time (hr)	15	12	11
	Oil Capacity (L)	1.1		
Generator	Charging Voltage (VDC)	-	0-15	
	Charging Current (A)	-	0-100	
	Rated Frequency (Hz)	60		
	Rated Voltage (V)	120/240		
	Rated Output Power (kW)	5.5	6.5	7.5
	Surge Output Power (kW)	6.9	8.1	9.375
Generator Set	Battery rated capacity (AH)	-	1.6	
	Battery (V)	-	12	
	Length (mm)	835		
	Width (mm)	533		
	Height (mm)	563		
	Net Weight (kg)	74	85	87.5
	Phase	Single		

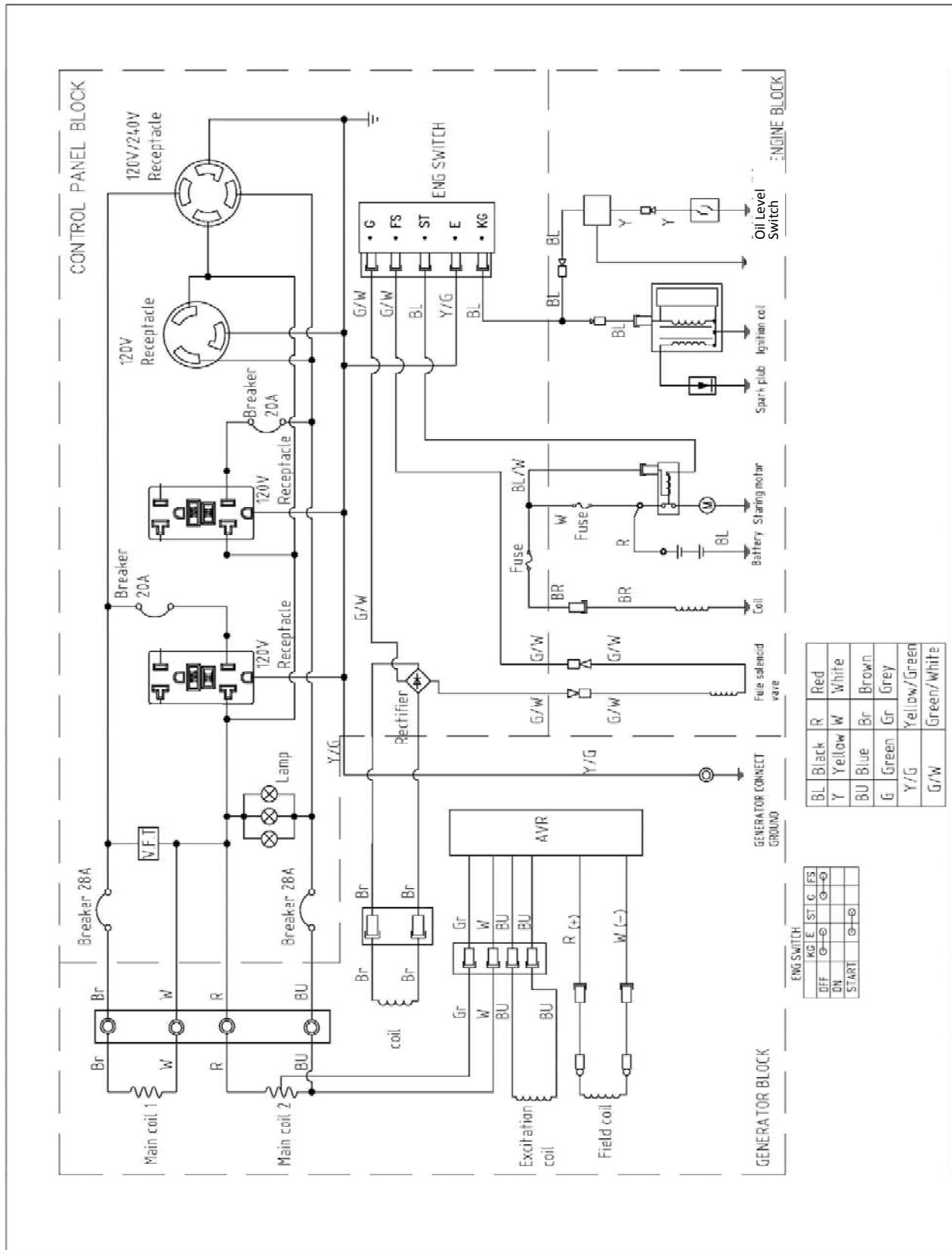
Maintenance Specifications

Item	Specification		Service Limit	
	RP5500	RP6500E RP7500E	RP5500	RP6500E RP7500E
Maximum speed (no load)	3730 - 3830 rpm		-	
Compression (at 1400 rpm)	$\geq 1.0\text{mPa}$	$\geq 1.2\text{mPa}$	-	
Cylinder sleeve I.D.	80.0 – 80.015mm	90.0mm	80.17mm	90.025mm
Cylinder head cover flatness	-		0.10mm	
Piston skirt O.D.	79.985mm	89.985mm	79.85mm	89.975mm
Piston to cylinder clearance	0.025 – 0.04mm	0.015 – 0.05mm	0.12mm	
Piston pin bore I.D.	15.002mm	20.002mm	15.042mm	20.048mm
Piston pin O.D.	15.00mm	19.994mm	14.954mm	19.95mm
Pin to pin bore clearance	0.004 – 0.016mm	0.002 – 0.014mm	0.08mm	0.06mm
Piston ring side clearance	0.015 – 0.045mm	0.030 – 0.060mm	0.15mm	
Piston ring gap	0.20 – 0.35mm	0.20 – 0.40mm	1.0mm	
Piston oil ring gap	0.20 – 0.70mm	0.15 – 0.35mm	1.0mm	
Piston ring width	1.2mm		1.05mm	1.17mm
Piston oil ring width	2.2mm	2.5mm	2.05mm	2.37mm
Connecting rod piston end I.D.	15.011mm	20.005mm	15.07mm	20.07mm
Connecting rod crank end I.D.	33.02mm	36.025mm	33.07mm	36.07mm
Oil clearance	0.040 – 0.064mm		0.12mm	
Crank end side clearance	0.3 – 0.4mm	0.10 – 0.40mm	1.0mm	
Crankshaft pin O.D.	29.975mm	35.975mm	29.92mm	35.93mm
Intake valve clearance	0.05 ± 0.02mm		-	
Exhaust valve clearance	0.05 ± 0.02mm		-	
Intake valve stem I.D.	5.468mm	5.48mm	5.318mm	
Exhaust valve stem I.D.	5.425mm	5.44mm	5.275mm	
Valve guide I.D.	5.50mm		5.572mm	
Intake valve stem clearance	0.02 – 0.044mm		0.10mm	
Exhaust valve stem clearance	0.06 – 0.087mm		0.12mm	
Valve seat width	0.8 - 1.0mm		2.0mm	
Valve spring free length	37.5mm		36mm	36.5mm
Camshaft intake lobe	32.063mm	32.498mm	31.813mm	32.198mm
Camshaft exhaust lobe	31.808mm	31.985mm	31.558mm	29.886mm
Camshaft journal O.D.	16.166mm	15.966mm	16.12mm	15.92mm
Camshaft bracket I.D.	16.2mm	16.0mm	16.248mm	16.05mm
Carburetor main jet	1.02mm		-	
Spark plug gap	0.70 – 0.80mm		-	
Spark plug wire resistance	7.5 – 12.5k Ω	5 k Ω	-	
Primary ignition coil resistance	0.6 – 0.9 Ω	0.8 – 1.0 Ω	-	
Secondary ignition coil resistance	5.6 – 6.6k Ω	5.9 – 7.1k Ω	-	
Ignition coil air gap	0.2 – 0.6mm	0.4 – 0.6mm	-	
Stator winding resistance	0.35 ± 10% at 25°C		-	
Stator auxiliary winding resistance	3.05 Ω ± 10% at 25°C		-	
Rotor excitation winding resistance	58.5 Ω ± 10% at 25°C		-	
Carbon brush length	10mm		6mm	

RP5500 Electrical Schematic



RP6500 E and RP7500 E Electrical Schematic



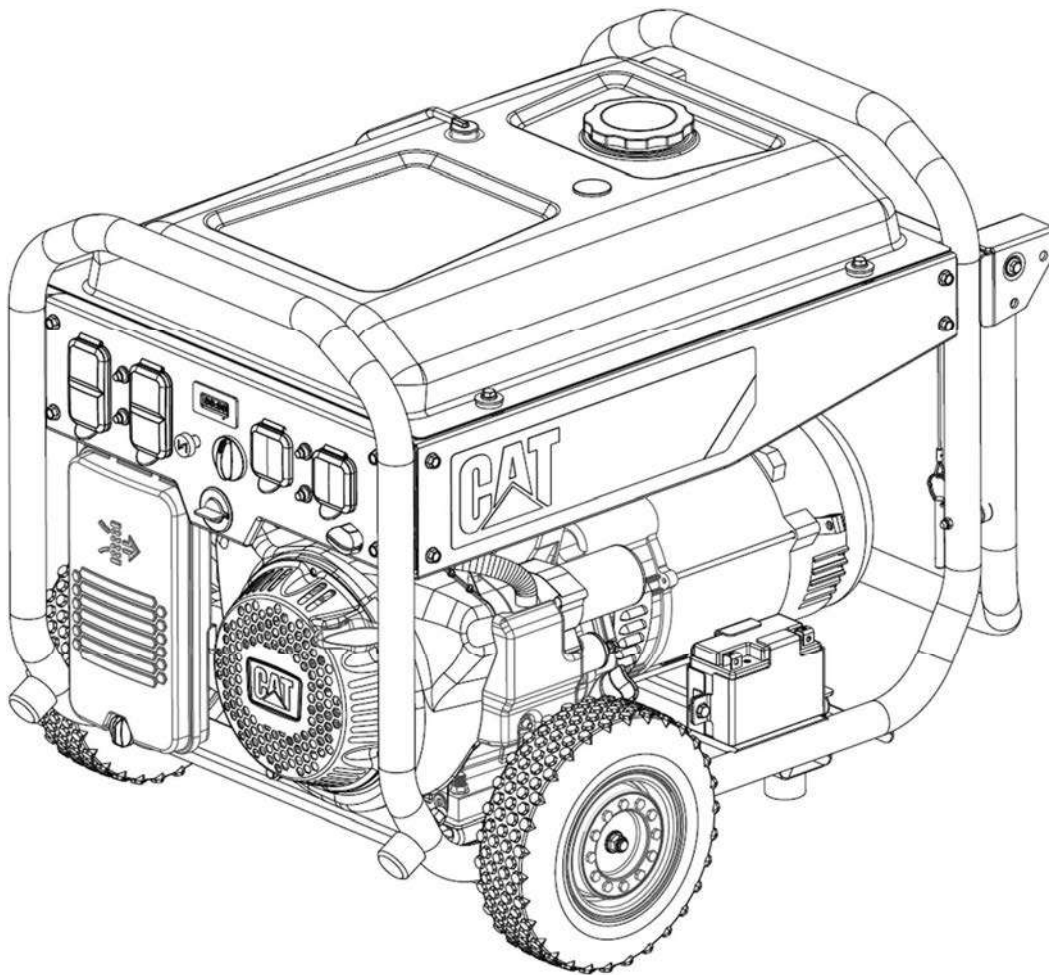


©2018 Caterpillar
All Rights Reserved

CAT, CATERPILLAR, their respective logos, "Caterpillar Yellow", and the POWER EDGE trade dress as well as corporate and product identity used herein, are trademarks of Caterpillar and may not be used without permission.


Manual de servicio

Generadores portátiles RP5500, RP6500 E y RP7500 E



Información importante de seguridad

La mayoría de accidentes relacionados con la operación, mantenimiento y reparación del producto se deben a no haber seguido reglas de seguridad o precauciones básicas. Con frecuencia es posible evitar los accidentes reconociendo antes las posibles situaciones de peligro. La persona debe estar alerta a los posibles peligros, incluyendo los factores humanos que puedan afectar a la seguridad. Esta persona deberá también tener la formación, habilidades y herramientas necesarias para llevar a cabo las tareas adecuadamente.

Encontrará precauciones y advertencias de seguridad en este manual y en el producto mismo. Si no hace caso de estas advertencias de peligro, usted o terceras personas podrían sufrir lesiones, incluso mortales. Los peligros se identifican con el "Símbolo de alerta de seguridad"  y van seguidos de una "Palabra señalizadora", como "PELIGRO", "ADVERTENCIA" o "PRECAUCIÓN".

Caterpillar no puede prever todas las circunstancias que puedan implicar un peligro potencial. Las advertencias de este manual y las situadas sobre el producto no incluyen todas las posibles circunstancias. En ningún caso debe utilizar este producto de forma diferente a la indicada en este manual, sin haberse asegurado antes de haber considerado todas las normas y precauciones de seguridad relacionadas con la operación del producto en el lugar de uso, incluyendo normas y precauciones específicas aplicables en el lugar de trabajo. Si usa una herramienta, procedimiento, método de trabajo o técnica que no haya recomendado explícitamente Caterpillar, deberá asegurarse usted mismo de que es seguro para usted y para los demás. También deberá asegurarse de que está autorizado a realizar ese trabajo y de que el producto no sufrirá daños ni resultará peligroso debido a las tareas de funcionamiento, lubricación, mantenimiento o reparación que pretenda realizar.

La información, especificaciones e ilustraciones de este manual se basan en la información disponible en el momento de su redacción. Las especificaciones, pares, presiones, medidas, ajustes, ilustraciones y otros elementos pueden variar en cualquier momento. Estos cambios pueden afectar al mantenimiento del producto. Consiga la información más actualizada y completa antes de comenzar cualquier trabajo.

En los Estados Unidos, el mantenimiento, reemplazo o reparación de los dispositivos y sistemas de control de emisiones puede ser realizado por cualquier establecimiento de reparación o persona de la elección del propietario.

Este manual ofrece información sobre seguridad, operación y mantenimiento. El manual deberá guardarse cerca del producto. Lea atentamente el manual y guárdelo junto con el resto de la documentación del producto.

Advertencia sobre la Proposición 65 del estado de California



ADVERTENCIA

Este producto y los accesorios relacionados con él pueden exponerlo a químicos como el benceno, conocido por el estado de California como causante de cáncer y defectos de nacimiento u otros daños reproductivos. Para obtener más información, visite www.P65Warnings.ca.gov. Para reducir el riesgo de ser víctima de alguno de estos peligros para la salud, evite inhalar los humos del aceite, la gasolina y el escape del motor. Lávese las manos después de su uso.

Índice

Advertencia sobre la Proposición 65 del estado de California.....	2
AVISOS DE SEGURIDAD	5
Otros avisos.....	6
Requisitos especiales.....	6
IDENTIFICACIÓN DE COMPONENTES	7
Modelo de motor y número de serie	7
MANTENIMIENTO.....	8
Mantenimiento programado con regularidad	8
Herramientas especiales	8
PROCEDIMIENTOS DE MANTENIMIENTO Y SERVICIO.....	8
Comprobación del filtro de aire.....	8
Prueba y reemplazo de la batería (si es necesario)	9
Inspección/repáraci3n/sustituci3n de la escobilla	9
Inspecci3n y reemplazo del 3rbol de levas	9
Inspecci3n y ajuste del carburador	10
Servicio del panel de control.....	11
Inspecci3n y reemplazo del cigüeñal.....	12
Revisi3n de la presi3n del cilindro	12
Comprobaci3n del nivel de aceite de motor	12
Sustituci3n del aceite de motor.....	13
Ajuste de la velocidad del motor	13
Inspecci3n y reemplazo de la v3lvula del motor	13
Ajuste del juego de v3lvula del motor	16
Instalaci3n del volante de inercia.....	17
Reemplazo de la l3nea de combustible y el filtro.....	17
Limpieza del filtro y el tap3n del dep3sito de combustible.....	17
Inspecci3n del generador	17
Excitaci3n de campo del generador	17
Ajuste del regulador de velocidad.....	18
Kits para altitudes elevadas.....	18
Comprobaci3n y ajuste de la bobina de arranque	18
Comprobaci3n del aislamiento	19
Inspecci3n y reemplazo del silenciador	19
Inspecci3n y reemplazo del pist3n.....	20
Instalaci3n del resorte del arrancador retr3ctil.....	21

Revisión de la chispa.....	22
Inspección/limpieza/sustitución del apagachispas.....	23
Inspección/ajuste/sustitución de la bujía.....	23
Reemplace el arrancador (si es necesario)	23
Inspección y reemplazo del engranaje de distribución	24
Reemplace el regulador de voltaje	24
Inspección visual	24
Comprobación de los devanados	24
ALMACENAMIENTO	25
Almacenamiento por 1 - 3 meses	25
Almacenamiento por más de 3 meses	25
DIAGRAMAS	26
Conjunto del filtro de aire.....	26
Carburador	27
Panel de control.....	28
Cárter y pistón	29
Cabeza del cilindro y válvulas	30
Volante de inercia	31
Depósito de combustible	31
Generador	32
Silenciador.....	33
Arrancador retráctil	33
RESOLUCIÓN DE PROBLEMAS	34
APÉNDICE	38
Especificaciones del producto	38
Especificaciones de mantenimiento	39
Esquema eléctrico RP5500	40
Esquema eléctrico RP6500 E y RP7500 E.....	41

AVISOS DE SEGURIDAD

En su generador encontrará diversos avisos específicos de seguridad. Familiarícese con todos estos avisos.

Asegúrese de que estos avisos se pueden leer sin problemas. Mantenga los avisos de seguridad limpios y sustitúyalos cuando no sea posible leer el texto o ver los dibujos. Utilice un paño con agua y jabón para limpiarlos. No utilice disolventes, gasolina o productos químicos agresivos. Los disolventes, la gasolina o los productos químicos agresivos podrían desprender el adhesivo que sujeta los avisos de seguridad.

Si falta algún aviso de seguridad o está dañado, sustitúyalo. Si sustituye una pieza del generador que tiene un aviso de seguridad, coloque un nuevo aviso de seguridad en la pieza de repuesto.



Lea el manual

ADVERTENCIA

No utilice ni realice trabajos en el generador sin antes haber leído y comprendido las instrucciones y advertencias de este manual de usuario. De lo contrario, podría sufrir lesiones incluso mortales. Es su responsabilidad actuar con cuidado.



Superficies calientes

ADVERTENCIA





Las piezas o componentes calientes podrían causar quemaduras o lesiones. Las piezas o componentes calientes no deben entrar en contacto con la piel. Utilice ropa o equipos de protección para proteger la piel.

ADVERTENCIA

El funcionamiento de este equipo puede generar chispas que pueden provocar incendios en torno a vegetación seca. Puede requerirse un supresor de chispas. El operario debe ponerse en contacto con los organismos locales de bomberos para obtener información sobre las leyes o reglamentos relacionados con los requisitos de prevención de incendios.



Monóxido de carbono

 DANGER	
Using a generator indoors CAN KILL YOU IN MINUTES. Generator exhaust contains carbon monoxide. This is a poison you cannot see or smell.	
 NEVER use inside a home or garage, EVEN IF doors and windows are open.	 Only use OUTSIDE and far away from windows, doors, and vents.
 DANGER	 PELIGRO
Utiliser un générateur à l'intérieur PEUT VOUS TUER EN QUELQUES MINUTES. Les gaz d'échappement du générateur contiennent du monoxyde de carbone. C'est un gaz toxique invisible et inodore. <input checked="" type="checkbox"/> NE JAMAIS utiliser à l'intérieur d'une maison ou d'un garage, MÊME SI les portes et les fenêtres sont ouvertes. <input checked="" type="checkbox"/> Utiliser UNIQUEMENT à l'EXTÉRIEUR et loin des fenêtres, portes et ventilations.	Si usa un generador en interiores, MORIRÁ EN POCOS MINUTOS. El escape del generador contiene monóxido de carbono. Es un veneno que no tiene olor ni se puede ver. <input checked="" type="checkbox"/> NUNCA lo use dentro de una casa o garaje. AUN si las puertas y ventanas están abiertas. <input checked="" type="checkbox"/> Sólo úselo en EXTERIORES y lejos de ventanas, puertas y ductos de ventilación.

Si usa un generador en interiores podría morir en pocos minutos. El escape del generador contiene monóxido de carbono. El monóxido de carbono es un veneno que no tiene olor ni se puede ver. Nunca lo use dentro de una casa o garaje, aunque las puertas y ventanas estén abiertas. Úselo sólo en exteriores y lejos de ventanas, puertas y respiraderos. Si experimenta mareos, dolores de cabeza, náuseas o fatiga retírese inmediatamente para respirar aire fresco y busque atención médica.



Descarga eléctrica

PELIGRO

Peligro de descarga eléctrica o electrocución: No utilice ni realice trabajos en este equipo sin antes haber leído y comprendido las instrucciones y advertencias de este manual de usuario. De lo contrario, podría sufrir lesiones incluso mortales.

⚠️ ADVERTENCIA

La retroalimentación hacia el sistema de distribución de la red eléctrica puede ocasionar daños materiales y lesiones severas o mortales.

No conecte el generador al sistema eléctrico de un edificio sin antes haberlo aislado del sistema de energía de la red eléctrica a través del interruptor principal. Para instalaciones permanentes, solamente se debe realizar la conexión mediante un interruptor de doble tiro con el fin de aislar al edificio del sistema de energía de la red eléctrica. Consulte a un técnico calificado para asegurar un uso e instalación adecuados. Cumpla con todas las leyes aplicables y códigos eléctricos.

Otros avisos

	No utilizar en condiciones de humedad.
	No repostar cerca de llamas abiertas No repostar con el motor encendido.
	No fumar durante el repostaje.
	Mantener una distancia mínima de 5 pies (1.5 metros) con otros objetos.
	Asegurarse de que la puesta a tierra del equipo es correcta.

Requisitos especiales

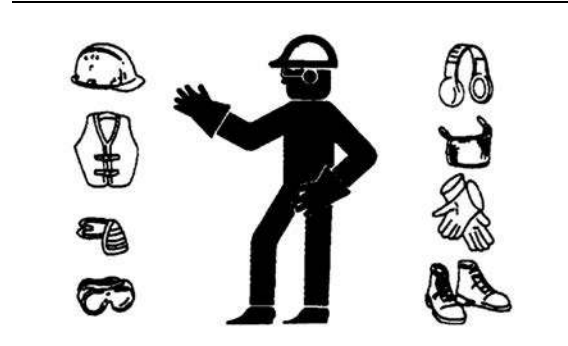
Los equipos eléctricos, incluyendo los cables y enchufes, deben taparse y protegerse de la humedad.

Los interruptores de circuito tienen que ser adecuados a las especificaciones del generador. Si hay que sustituir los interruptores de circuito, los interruptores de circuito nuevos deberán tener las mismas características técnicas.

En todas las instalaciones de grupos electrógenos, el bastidor del generador debe estar puesto a tierra. Para ello cuenta con un borne de puesta a tierra.

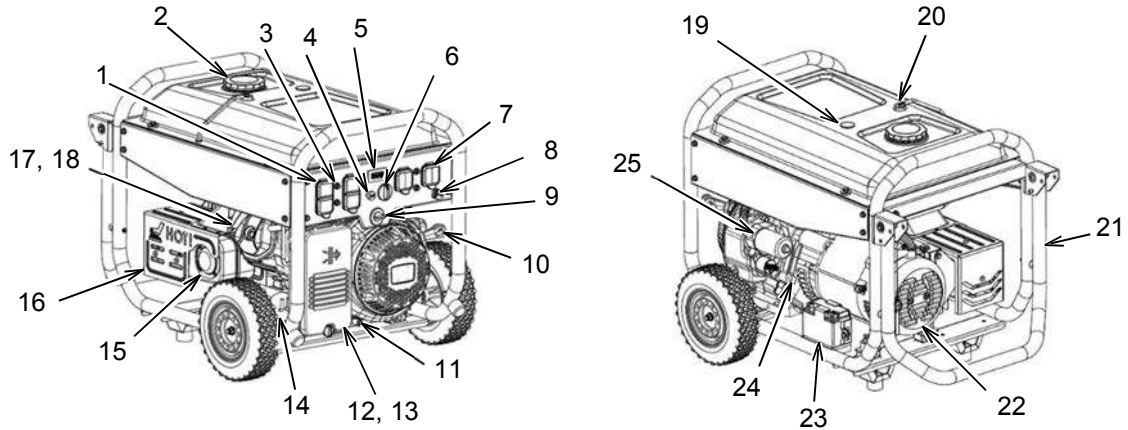
Los modelos RP5500, RP6500 E y RP7500 E tienen un conductor neutro fijo entre la bobina del estátor y el bastidor.

Para 120 V CA utilice cables alargadores de 125 V a 20 A como mínimo. Para 240 V CA utilice cables alargadores de 250 V a 30 A como mínimo. Utilice el alargador más corto posible que cumpla estas características.



- Utilice casco, lentes protectores y otros equipos de protección según sea necesario.
- Si está trabajando cerca de un motor en funcionamiento, utilice protección auditiva para evitar daños en los oídos.
- No lleve ropa holgada o joyas que se puedan quedar enganchadas en los controles u otras partes del motor.
- Asegúrese de que todas las protecciones y cubiertas están correctamente colocadas en el motor.
- No utilice recipientes de vidrio para los fluidos de mantenimiento. Los recipientes de vidrio podrían romperse.
- Utilice con cuidado todos los productos de limpieza.

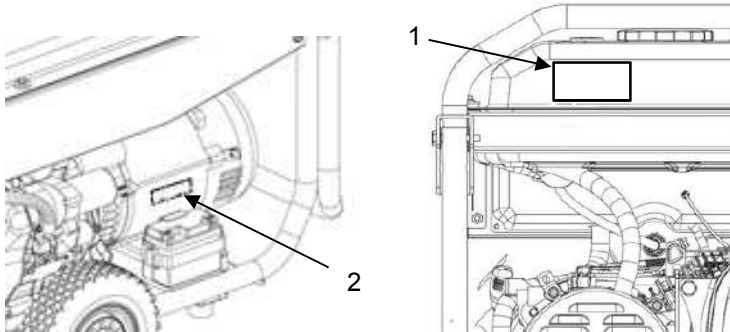
IDENTIFICACIÓN DE COMPONENTES



- | | |
|---|---|
| 1) Recipiente – dúplex 120 VAC | 14) Cartucho CARB |
| 2) Tapón del depósito de combustible | 15) Apagachispas |
| 3) Cortacircuitos | 16) Silenciador |
| 4) Perilla del estrangulador | 17) Motor |
| 5) Display | 18) Bujía |
| 6) Interruptor del generador | 19) Indicador de combustible |
| 7) Recipiente – bloqueo giratorio 240 VAC | 20) Sensor de vuelco |
| 8) Luz del panel | 21) Asa |
| 9) Válvula de combustible | 22) Generador |
| 10) Conjunto del arranque retráctil | 23) Batería* |
| 11) Vaciado de aceite | 24) Indicador de aceite/llenado de aceite |
| 12) Conjunto del filtro de aire | 25) Arrancador* |
| 13) Filtro de aire | |

* Estas partes no están incluidas en el RP5500.

Modelo de motor y número de serie



CAT	
MODEL NO.	RP3000
AC VOLTS	120 / 240
AC AMPS	30 / 15
POWER RUNNING	3000 W
POWER STARTING	4500 W
RATED AT	25 C
CAT PART NAME	502-3000
FREQUENCY	60 Hz
PHASE	SINGLE
RPM	3000
POWER FACTOR	1
REGULATION CLASS	B
www.cat.com/Manuals/OutdoorPower/Support	



Gasoline generator set / Groupe électrogène essence	
Model / Modèle	RP3000
Rated power / Puissance nominale	1100 W
AC voltage / Tension C.A.	120/240V
Insulation Class / Classe d'isolement	F
Rated load speed / Tours par minute	3000 RPM
Frequency / fréquence	60 Hz
Power factor / Facteur de puissance	1
Phase/phase	Single-Phase
Maximum ambient temperature / Température maximale	40 C
Date of manufacture / Date de fabrication	2011-1-2-3-4-5-6-7-8-9-10-11-12
For actual safety instructions, please refer to the original instruction manual. Pour les instructions de sécurité, veuillez consulter le manuel d'instructions original. Employez un système d'avis de mise en garde à l'usage de l'appareil. Do not use AC and DC at the same time, this may affect CAT's DC output range.	

Los generadores portátiles Cat® están identificados con un número de modelo, un número de serie y las especificaciones de rendimiento. El número de modelo y las especificaciones de rendimiento están situados en la placa de características (1) o la placa de características CSA (3). El número de serie está situado en la placa del número de serie (2).

MANTENIMIENTO

Mantenimiento programado con regularidad

A continuación se incluyen los intervalos para el mantenimiento normal del producto. El apartado "Procedimientos de mantenimiento y servicio" incluye los procedimientos normales de mantenimiento así como procedimientos de servicio más detallados que el usuario típico puede no ser capaz de realizar. NO intente realizar ningún procedimiento que usted no esté calificado para realizar.

Asegúrese de haber leído y entendido toda la información de seguridad, advertencias e instrucciones antes de que cualquier operación o procedimiento de mantenimiento sean ejecutados.

Utilice las horas de servicio o los días del calendario, EL PLAZO QUE VENZA PRIMERO, para determinar los intervalos correctos de mantenimiento.

Pare el motor antes de realizar el mantenimiento. Ponga el motor en posición horizontal y quite el capuchón de la bujía para impedir que el motor arranque. Nunca opere el motor en una sala sin ventilación o cualquier otra área cerrada.

Cuando sea necesario:

Limpieza del filtro y el tapón del depósito de combustible

Con cada uso:

Comprobación del nivel de aceite de motor
Inspección visual

Primeras 20 horas de servicio o 1 mes:

Sustitución del aceite de motor

Cada mes:

Inspección del generador

Cada 50 horas de servicio o 3 meses:

Comprobación del filtro de aire
Inspección/limpieza/sustitución del apagachispas

Cada 100 horas de servicio o 6 meses:

Sustitución del aceite de motor
Inspección/ajuste/sustitución de la bujía

Cada 300 horas de servicio o 1 año:

Comprobación del juego de las válvulas del motor

Cada 2 años:

Sustitución del tubo de combustible

Herramientas especiales

Las siguientes herramientas pueden ser necesarias para ejecutar los procedimientos de servicio:

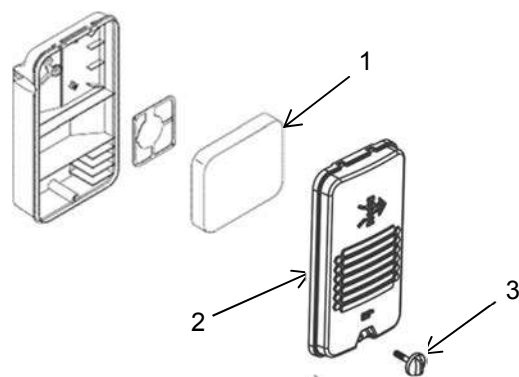
- Montador de rodamiento
- Extractor de rodamiento
- Medidor de compresión
- Montador de volante de inercia
- Megóhmetro
- Micrómetro
- Multímetro (voltios y ohmios)
- Montador de pistón
- Extractor de anillo de pistón
- Compresor de anillo
- Montador de guía de válvula
- Escariador de guía de válvula
- Cortador de asiento de válvula 32°
- Cortador de asiento de válvula 45°

PROCEDIMIENTOS DE MANTENIMIENTO Y SERVICIO

Comprobación del filtro de aire

Un filtro de aire sucio limitará el flujo de aire en el carburador, provocará un ahorro insuficiente de combustible y puede dañar el motor. Para mantener el generador en buenas condiciones de funcionamiento, realice el mantenimiento del filtro de aire periódicamente. Dé servicio al filtro de aire más seguido cuando opere el generador en áreas extremadamente polvorientas.

Nota: Nunca utilice el generador si el filtro de aire no está colocado. Utilizar el generador sin el filtro de aire aceleraría el desgaste del motor.



Quite el tornillo de la cubierta del filtro de aire (3) y la cubierta del filtro de aire (2). Verifique que el filtro de aire (1) esté limpio y sin daños. Si el filtro de aire está sucio, lávelo. Si el filtro de aire está dañado, sustitúyalo.

Lave el filtro con un disolvente no inflamable o con una mezcla de detergente doméstico y agua tibia. Enjuague bien el filtro para eliminar totalmente el producto de limpieza. Después de que el filtro se haya secado, vierta algunas gotas de aceite de motor en el filtro. Apriete entonces el filtro para distribuir el aceite uniformemente y eliminar el exceso de aceite.

Nota: No saque el filtro. Si lo hace, el filtro podría resultar dañado.

Coloque el filtro en su carcasa. Coloque la cubierta del filtro de aire sobre el filtro y vuelva a poner el perno.

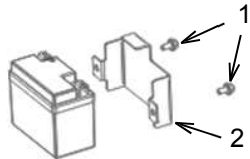
Prueba y reemplazo de la batería (si es necesario)

PELIGRO

Peligro de descarga eléctrica o electrocución: No utilice ni realice trabajos en este equipo sin antes haber leído y comprendido las instrucciones y advertencias de este manual de usuario. De lo contrario, podría sufrir lesiones incluso mortales.

ADVERTENCIA

Nunca desconecte de la batería ningún circuito de la unidad de carga o cable de circuito de batería cuando la unidad de carga sea operada. Una chispa puede causar la explosión de la mezcla inflamable de vapor de hidrógeno y oxígeno que el electrolito libera a través de las salidas de la batería. Esto puede resultar en lesiones al personal.

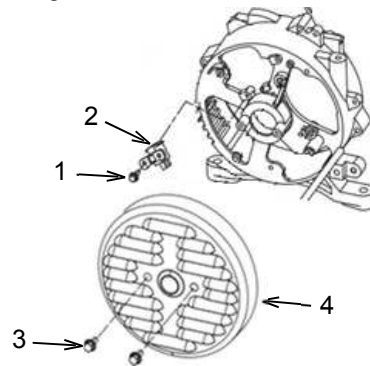


Desconecte el cable negativo de la batería en la conexión del arnés y asegúrelo para que no entre en contacto con nada. Desconecte el cable de batería positivo. Use un voltímetro o un multímetro ajustado a VDC para medir la batería. Si la batería tiene menos de 12.4 voltios, reemplácela. Retire los tornillos (1) y la placa (2). Retire la batería y deséchela adecuadamente.

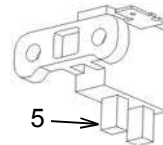
Ajuste la nueva batería en su posición. Coloque la placa (2) y los tornillos (1). Conecte el cable positivo de la batería. Conecte el cable negativo de la batería.

Inspección/repación/sustitución de la escobilla

La escobilla de carbono se localiza detrás de la cubierta del generador.



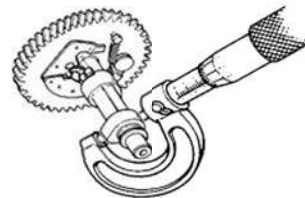
Retire los tornillos (3) y retire la cubierta del motor (4).



Revise la longitud de las escobillas (5). Si la longitud es 6 mm o menos, reemplace la escobilla. Para retirar la escobilla, quite el tornillo (1) y desconecte los cables. Para reinstalarla, conecte el cable rojo a la terminal "+", el cable blanco a la terminal "-", use el tornillo (1) para asegurar la nueva escobilla.

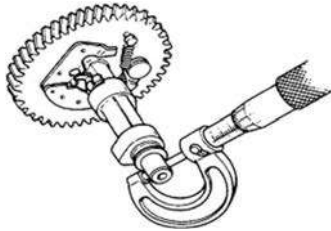
Revise la superficie de contacto entre la escobilla (2) y el anillo colector. Si la superficie de contacto parece ser menor que el 75% de la superficie de la escobilla, vuelva a pulir la superficie de la escobilla. Coloque tela esmeril entre la escobilla y el anillo colector con la cara esmerilada hacia la escobilla. Frote la tela esmeril hacia delante y hacia atrás contra la escobilla hasta que haya más de 75% de área de contacto. No haga girar el colector ya que se puede acumular una carga en los devanados. Limpie cualquier residuo en el generador antes de armarlo nuevamente.

Inspección y reemplazo del árbol de levas



Inspeccione el árbol de levas en busca de daños o desgaste anormal. Mida el levantamiento en los lóbulos del árbol de levas. Los límites aceptables para el levantamiento se muestran en la siguiente tabla. Si el levantamiento está fuera del rango aceptable, reemplace el árbol de levas.

Modelo:	Lóbulo:	Levantamiento normal:	Levantamiento mínimo:
RP5500	Entrada	32.063 mm	31.813 mm
	Escape	31.808 mm	31.558 mm
RP6500E	Entrada	32.498 mm	32.198 mm
RP7500E	Escape	31.985 mm	29.886 mm

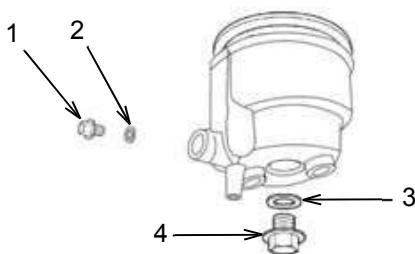


Mida el diámetro exterior del árbol de levas. Los límites aceptables para el diámetro se muestran en la siguiente tabla. Si el diámetro está fuera del rango aceptable, reemplace el árbol de levas.

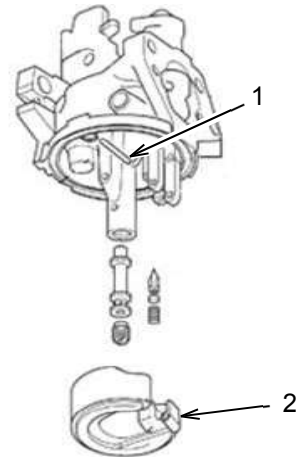
Modelo:	Normal:	Mínimo:
RP5500	16.166 mm	16.12 mm
RP6500E RP7500E	15.966 mm	15.92 mm

Inspección y ajuste del carburador

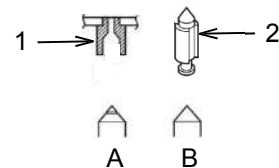
Retire el conjunto del filtro de aire. Retire el carburador. Limpie la superficie exterior del carburador antes de desmontarlo.



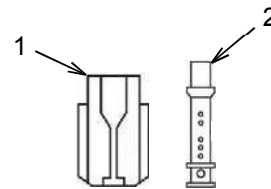
Drene el combustible de la cámara del flotador retirando el tornillo del orificio de drenado (1) y la junta (2). Use un recipiente adecuado para recibir el combustible. Deseche el combustible adecuadamente. Retire el tornillo (4) y la junta (3). Cuidadosamente retire la cámara del flotador, evitando que caiga cualquier pieza pequeña.



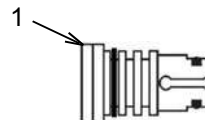
Retire la varilla del flotador (1) y retire el flotador (2) cuidadosamente, evitando que caigan las piezas pequeñas. Limpie las partes internas con limpiador para carburador y aire comprimido.



Revise el asiento de la válvula del flotador (1) y la válvula del flotador (2) en busca de desgaste. La Figura A muestra una válvula de flotador desgastada que necesita reemplazo. La figura B muestra una válvula de flotador que puede seguir siendo utilizada.

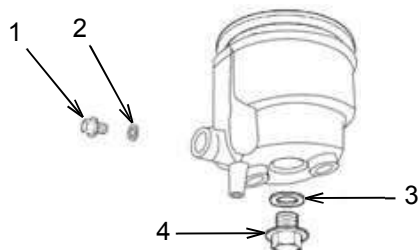


Inspeccione el inyector principal de combustible (1) y la boquilla principal de combustible (2). Si presentan desgaste, reemplácelos.



Inspeccione el inyector del régimen de ralentí (1). Si presenta daño, reemplácelo. Aplique una capa delgada de aceite a las juntas tóricas antes de volverlas a colocar.

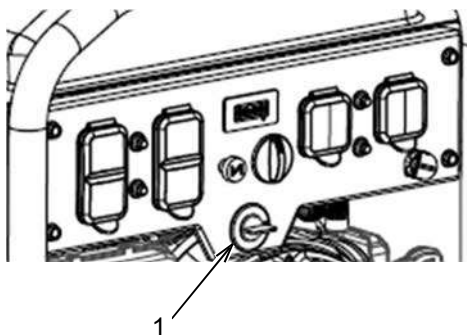
Después de volver a instalar el flotador, presione ligeramente con un dedo para asegurarse de que el flotador se mueve libremente. Asegúrese de que la válvula del flotador está en contacto con el asiento de la válvula y el resorte no está comprimido.



Coloque el tapón del orificio de drenado (1) y la junta (2) en la cámara del flotador. Coloque la cámara del flotador en su lugar para que se pueda tener acceso al tornillo del orificio de drenado desde fuera de la unidad. Coloque la junta (3) y el tornillo (4) para fijar la cámara del flotador en su lugar.

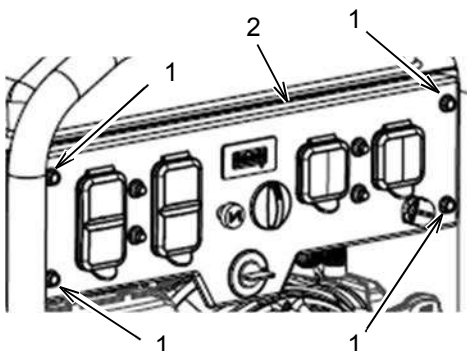
Reinstale el carburador. Después de encender la unidad, revise en busca de fugas.

Servicio del panel de control

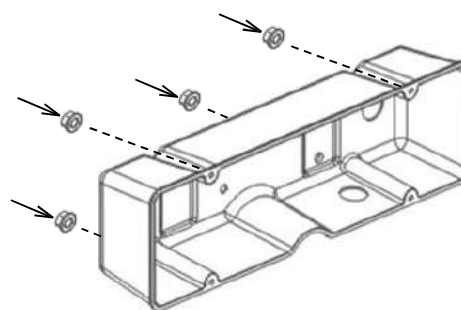


Se puede acceder a la válvula de combustible (1) sin retirar el panel de control. Para retirar la válvula de combustible, drene en un contenedor adecuado el combustible del depósito de combustible. Encienda el motor y deje que se agote el combustible. Coloque el interruptor del generador en la posición de apagado "0".

Mueva las pinzas de las mangueras de combustible que fijan las líneas de combustible a la válvula de combustible hacia el centro de las líneas de combustible. Retire las líneas de combustible de la válvula de combustible. Retire el clip de la parte posterior de la superficie del panel de control. Retire la válvula de combustible. Vuelva a instalar en orden inverso.



Retire los tornillos (1) y las arandelas. Jale el panel de control (2) lentamente hacia adelante. Asegúrese de que los cables se mueven libremente y no están dañados. Etiquete los cables para identificarlos y después desconecte el cableado eléctrico.



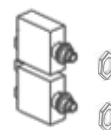
Coloque la parte frontal del panel de control sobre una superficie que permita proteger el panel de cualquier daño. Retire las 4 tuercas de 7 mm de la parte trasera de la carcasa del panel de control y cuidadosamente separe la carcasa del panel frontal.

Estrangulador:



El control del estrangulador está fijado a la parte trasera del panel mediante tuercas de 7 mm. Retire la perilla y el cable del estrangulador de la parte frontal del panel, y retire las tuercas que sostienen el estrangulador al panel. Retire el control del estrangulador de la parte trasera del panel. Vuelva a instalar en orden inverso.

Cortacircuitos:



Cada cortacircuitos está fijado al panel mediante una media tuerca localizada en la parte frontal del panel. Etiquete los cables para identificarlos y desconecte el cortacircuitos. Retire la media tuerca de la parte frontal del panel y retire el cortacircuitos de la parte trasera del panel.

Pantalla:



La pantalla está sostenida en su lugar mediante pegamento de fusión en caliente. Desconecte la

pantalla del cableado eléctrico y quite el pegamento. Retire la pantalla de la parte frontal del panel.

Fusible:

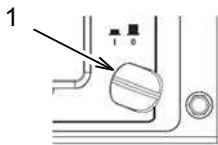
El interruptor del generador tiene un fusible de 5 amperios localizado en un portafusibles en línea.

Interruptor del generador:



El interruptor del generador está fijado al panel mediante tuercas de 7 mm. Desconecte el cableado, retire el pomo de la parte frontal del panel y retire las tuercas. Retire el interruptor del generador de la parte trasera del panel.

Luz del panel:



La luz del panel (1) está fijada al panel mediante pegamento de fusión en caliente. Desconecte la luz del panel del cableado y quite el pegamento. Retire la luz del panel de la parte frontal del panel.

Recipientes y cubiertas:

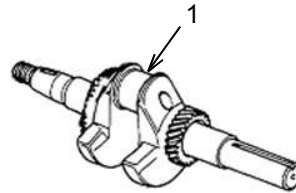


Cada recipiente está fijado al panel mediante dos tuercas de 7 mm. Etiquete los cables para identificarlos y después retire los cables del recipiente. Retire las tuercas que fijan el recipiente al panel y después retire el recipiente de la parte trasera del panel. La cubierta del recipiente puede entonces ser retirada de la parte frontal del panel.

Inspección y reemplazo del cigüeñal

Inspeccione el sellado de aceite del cigüeñal. Si el sello está dañado o muestra signos de filtración, reemplácelo.

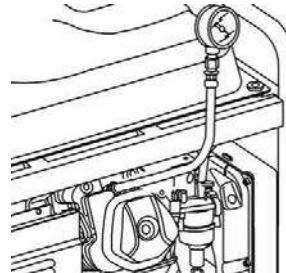
Inspeccione los rodamientos del cigüeñal. Si el rodamiento está marcado o muestra signos de decoloración por calor excesivo, reemplácelo. Cubra el rodamiento con aceite de motor antes de instalarlo.



Revise el diámetro del muñón del cigüeñal (1). Un diámetro normal es de 29.975 a 29.991 mm. Si el diámetro es de 29.92 mm o menos, reemplace el cigüeñal.

Cuando instale el cigüeñal, insértelo en el cárter hasta que el rodamiento toque el cárter sin dañar el sellado de aceite.

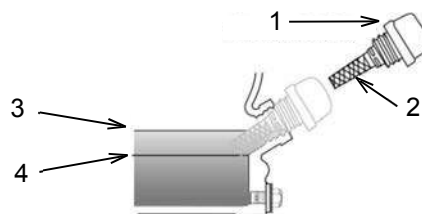
Revisión de la presión del cilindro



- Retire el capuchón de la bujía y la bujía.
- Conecte el medidor de compresión como se muestra a continuación.
- Jale la manija del arrancador retráctil varias veces y anote la presión del cilindro.
- Si la presión del cilindro no está dentro de 588 - 834 kPa (85 - 121 psi), consulte el apartado "Solución de problemas".

Comprobación del nivel de aceite de motor

Compruebe el aceite de motor siempre con el generador sobre una superficie plana y el motor parado.



1. Quite el tapón del orificio de llenado de aceite (1) y limpie el medidor de nivel de aceite (2) con un paño.
2. Compruebe el nivel de aceite introduciendo el medidor de nivel de aceite en el cuello del orificio de llenado. No enrosque el tapón

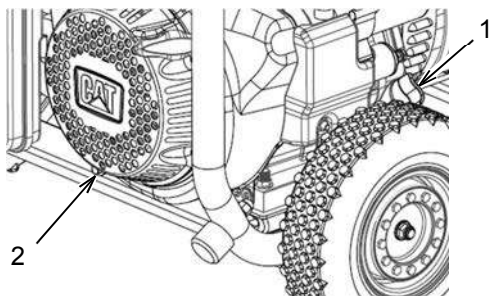
- mientras comprueba el nivel de aceite.
- Si el nivel del aceite es bajo (4), añada el aceite de motor recomendado hasta que el nivel de aceite alcance la marca superior (3). Utilice la siguiente tabla para elegir la viscosidad del aceite.

Viscosidad recomendada del lubricante a temperatura ambiente				
Viscosidad del aceite	°C		°F	
	Mín.	Máx.	Mín.	Máx.
SAE 0W-40	-40	40	-40	104
SAE 5W-40	-30	50	-22	122
SAE 10W-30	-18	40	0	104
SAE 15W-40	-10	50	14	122

- Cuando haya terminado de añadir aceite, coloque el tapón y apriételo.

Nota: Los aceites de motor sin detergentes y para motores de 2 tiempos no deben utilizarse, ya que causan daños en el motor.

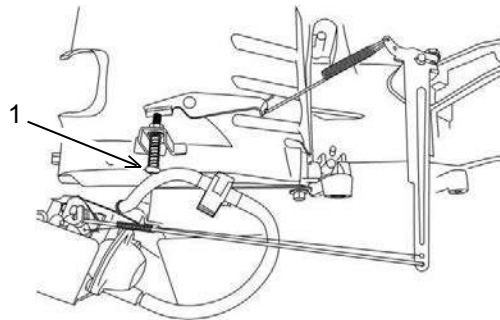
Sustitución del aceite de motor



- Ponga el motor en funcionamiento hasta que alcance su temperatura normal de servicio. Detenga el motor.
- Quite el tapón del orificio de llenado de aceite (1) y el tapón del orificio de drenado (2) para drenar el aceite. Drene el aceite en un recipiente adecuado.
- Vuelva a colocar el tapón del orificio de drenado y apriételo a $18 \pm 2 \text{ N}\cdot\text{m}$ ($13 \pm 2 \text{ lb ft}$).
- Añada aceite nuevo y compruebe el nivel de aceite. Consulte el apartado "Comprobación del nivel de aceite de motor".
- Coloque el tapón del orificio de llenado y apriételo.
- Deseche el aceite usado adecuadamente.

Ajuste de la velocidad del motor

Arranque el motor y deje que alcance su temperatura normal de servicio.

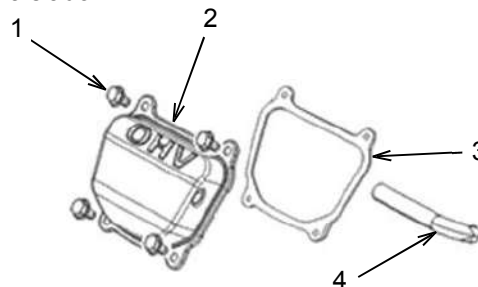


La velocidad máxima para el motor es de 3730 – 3830 rpm. Gire el tornillo de ajuste (1) en el sentido de las manecillas del reloj para aumentar la velocidad del motor. Gire el tornillo de ajuste en sentido contrario a las manecillas del reloj para disminuir la velocidad del motor.

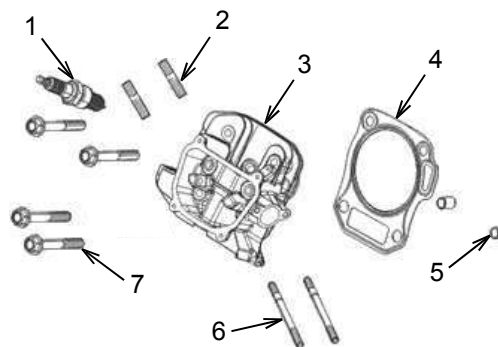
Si al ajustar el tornillo no se regula la velocidad del motor hasta quedar dentro del rango, vea el apartado "juste del regulador de velocidad".

Inspección y reemplazo de la válvula del motor

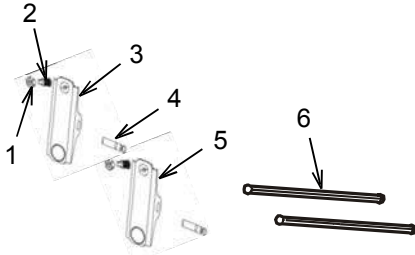
Retire el silenciador, el conjunto del filtro de aire, el arrancador retráctil, la envoltura, el carburador y el aislador.



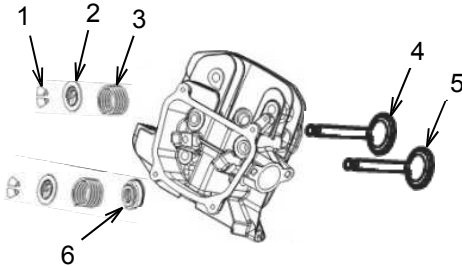
Retire los tornillos de la tapa de la válvula (1), el tubo respirador (4), la tapa de la válvula (2) y la junta de la tapa de la válvula (3).



Retire la bujía (1). Retire los tornillos de la cabeza del cilindro (7) y retire la cabeza del cilindro (3). Retire la junta de la cabeza del cilindro (4) y deseche la junta usada. Retire los pernos de sujeción (5) y sepárelos a un lado. Los pasadores (2) y (6) pueden dejarse en la cabeza del cilindro para este procedimiento.



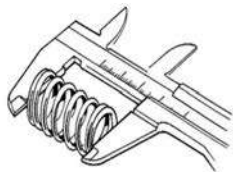
Retire contratuerca (1) y la tuerca de ajuste (2). Retire el perno (4) y retire el balancín de la válvula de escape (3). Repita el proceso para el balancín de la válvula de entrada (5). Revise los balancines en busca de desgaste. Reemplácelos si presentan daño. Retire las varillas de empuje (6). Inspeccione las varillas de empuje. Asegúrese de que estén derechas y no estén marcadas. Revise los extremos de las varillas de empuje en busca de desgaste. Reemplace las varillas de empuje si presentan daño o desgaste.



Nota: No retire los retenedores (2) mientras la cabeza sigue en el motor o las válvulas caerán al cilindro.

Retire los rotadores de la válvula (1). Presione el retenedor (2) y muévelo a un lado para que el vástago de la válvula pase a través del orificio más grande. Retire el resorte de la válvula (3) y la válvula de escape (4). Repita el proceso para la válvula de entrada (5) y el retenedor de la válvula de entrada (6).

Resortes de la válvula:



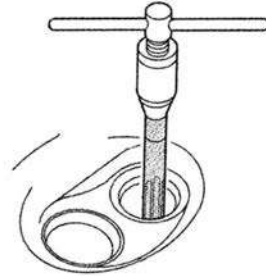
Revise la longitud libre del resorte de la válvula. La longitud libre normal es de 37.5 mm. Si la longitud libre es de 37.5 mm o menos, reemplace el resorte.

Modelo:	Normal:	Mínimo:
RP5500	37.5 mm	36 mm
RP6500E RP7500E	37.5 mm	36.5 mm

Guías de la válvula:

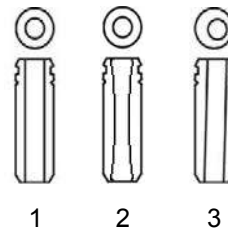
Inspeccione las guías de la válvula. Asegúrese de que estén bien fijadas a la cabeza del cilindro. Inspeccione las superficies interiores de las guías de la válvula. La superficie interior debe ser uniforme, sin agrietamiento o picaduras. Si la superficie interior presenta daño, reemplace la guía de la válvula.

Escariado de las guías de la válvula:



Para mejores resultados, realice este procedimiento cuando las guías de la válvula y la cabeza del cilindro estén a temperatura ambiente.

Asegúrese de que el escariador esté centrado sobre la guía de la válvula. Cubra el escariador y la guía de la válvula con aceite para corte. Gire el escariador en el sentido de las manecillas del reloj y haga que atraviese la guía de la válvula por la longitud completa del escariador. Continúe girándolo en el sentido de las manecillas del reloj mientras extrae el escariador de la guía de la válvula. Limpie cualquier acumulación de carbono y revise el diámetro interno de la guía de la válvula. El diámetro normal de la guía de la válvula es de 5.50 mm. Si el diámetro interno de la guía de la válvula es de 5.572 mm o más, reemplace la guía de la válvula o ponga insertos.

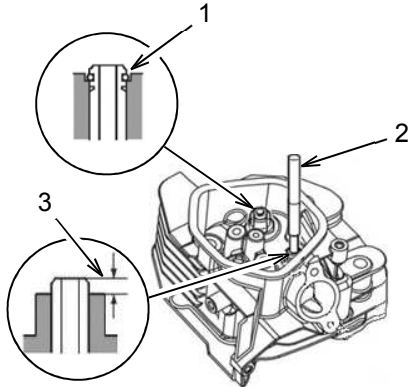


Revise el orificio de la guía de la válvula. Inserte la válvula y asegúrese de que se mueva sin problemas a través del orificio sin tambalearse. La Figura 1 muestra una buena guía de válvula. La Figura 2 muestra una guía de válvula con desgaste anormal que puede hacer que la válvula se tambalee. La cabeza de la válvula eventualmente puede romperse y caer a la cámara de combustión, dañando el motor. La guía de válvula debe ser escariada o

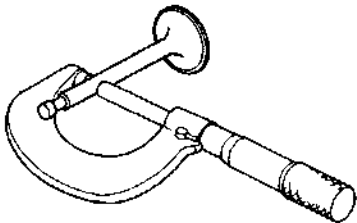
reemplazada. La Figura 3 muestra una guía de válvula con un orificio que no está centrado. Esta guía de válvula debe ser reemplazada.

Reemplazo de las guías de válvula:

Coloque las guías de válvula nuevas en el congelador de su refrigerador por una hora. Use un montador de guía de válvula para expulsar las guías de válvula viejas. Tenga cuidado de no dañar la cabeza del cilindro al expulsar las guías de válvula viejas.



Coloque las guías de válvula nuevas del lado de la cabeza del cilindro donde está el resorte de la válvula. Use el montador de guía de válvula (2) para mover la guía de la válvula de escape hasta que el clip quede completamente asentado (1). Mueva la guía de la válvula de entrada hasta que la parte superior de la guía se extienda 1 mm por encima de la cabeza del cilindro (3). Después de la instalación revise cada guía de válvula en busca de daños. Si presentan daños, repita el proceso de eliminación e instalación usando una guía de válvula nueva.



Use un micrómetro para medir el diámetro externo del vástago de la válvula. Consulte la siguiente tabla.

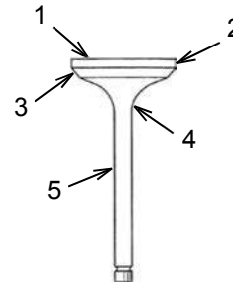
Modelo:	Válvula:	Normal:	Mínimo:
RP5500	Entrada:	5.468 mm	5.318 mm
	Escape:	5.425 mm	5.275 mm
RP6500E	Entrada:	5.48 mm	5.318 mm
RP7500E	Escape:	5.44 mm	5.275 mm

Si el diámetro de la válvula está en el mínimo o por debajo, reemplace la válvula.

Reste el diámetro del vástago de la válvula del tamaño del orificio interno de la guía de la válvula para determinar la distancia desde el vástago hasta la guía. Si la distancia es mayor que la máxima mostrada en la siguiente tabla, determine si una guía nueva o una válvula nueva es la mejor opción para que la holgura sea tolerable.

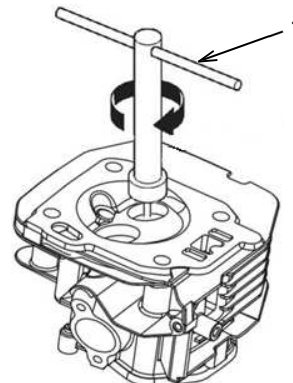
Válvula:	Normal:	Máximo:
Entrada:	0.02 – 0.044 mm	0.10 mm
Escape:	0.06-0.087 mm	0.12 mm

Válvulas:

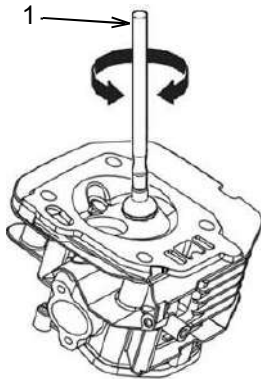


Revise las válvulas en busca de daño. Revise la cabeza de la válvula (1), la orilla de la válvula (2) y la cara de la válvula (3) en busca de áreas dañadas o quemadas. Revise el cuello de la válvula (4) en busca de desgaste inusual. Revise el vástago de la válvula (5) en busca de desgaste, marcas o dobleces. Si encuentra algún daño, reemplace la válvula.

Retire cualquier acumulación de carbono de los asientos de la válvula. Use un medidor de descentramiento para medir la concentricidad del asiento. Alternativamente, aplique una ligera capa de un compuesto que deje marcas a la cara de la válvula e inserte la válvula en la cabeza. Presione la válvula con firmeza y después retire la válvula. Revise la pintura en busca de signos de que el asiento de la válvula no es concéntrico. Elimine de ambas superficies el compuesto empleado para dejar marcas.



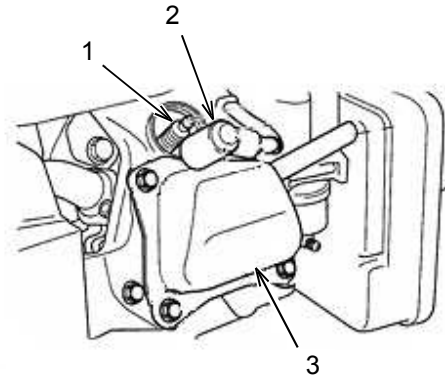
Si el compuesto empleado para dejar marcas muestra que el asiento de la válvula no es concéntrico, use un cortador de asiento de válvula de 45° (1) para crear un asiento liso y concéntrico. Siempre gire el cortador en el sentido de las manecillas del reloj. Use el cortador de asiento de válvula de 45° y el cortador de asiento de válvula de 32° para ajustar el asiento de la válvula de modo que entre en contacto con el centro de la cara de la válvula. El cortador de asiento de válvula de 32° remueve material de la parte superior del asiento. El cortador de asiento de válvula de 45° remueve material de la parte inferior del asiento. Asegúrese de que, cuando termine, el área donde la válvula entra en contacto con el asiento de la válvula sea de 0.8 a 2.0 mm de ancho. Para completar el procedimiento, pase ligeramente el cortador de asiento de válvula de 45° para retirar cualquier rebaba que pueda quedar en el borde del asiento. Cuando termine, use el compuesto empleado para dejar marcas para revisar la concentricidad. Asegúrese de que haya buen contacto por toda la válvula.



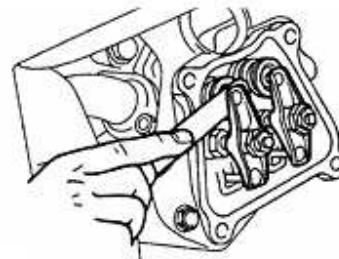
Aplique un compuesto de lapeado a la cara de la válvula e inserte la válvula en la cabeza del cilindro. Use una herramienta de lapeado de válvula (1) para terminar de pulir las superficies de la válvula y el asiento de la válvula. Retire cualquier compuesto restante antes de montar la cabeza del cilindro. Asegúrese de que las varillas de empuje están asentadas firmemente en los levantadores. Después de montar, siga los procedimientos de los apartados "Ajuste del juego de válvula del motor" y "Revisión del cilindro de presión" para asegurarse de que el montaje sea correcto.

Ajuste del juego de válvula del motor

Operar el motor con un ajuste de válvula inadecuado puede reducir la eficacia del motor. Esta reducción de eficacia puede resultar en uso excesivo de combustible y/o vida útil de los componentes del motor reducida.



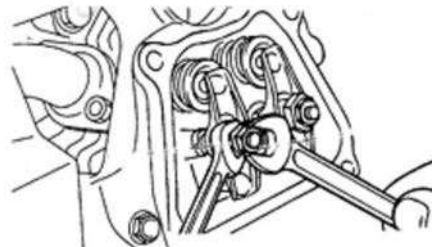
Retire el capuchón de la bujía (2), la bujía (1), la tapa de la válvula (3) y la junta de la tapa de la válvula. Jale ligeramente el arrancador retráctil hasta que el pistón quede en el punto muerto superior.



Mida la holgura de la válvula con una galga de espesores. Consulte la siguiente tabla.

Holgura de la válvula	
Entrada	0.05 ± 0.02 mm
Escape	0.05 ± 0.02 mm

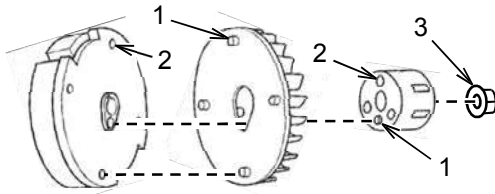
Si la holgura está fuera del margen de tolerancia, ajuste la holgura como se muestra a continuación:



Afloje la contratuerca. Gire la tuerca de ajuste en el sentido de las manecillas del reloj para disminuir la holgura. Gire la tuerca de ajuste en sentido contrario a las manecillas del reloj para aumentar la holgura. Cuando la holgura de la válvula llegue al margen de tolerancia, apriete la contratuerca a 8±1 N·m (6±1 lb ft). Vuelva a colocar la junta de la tapa de la válvula y la tapa de la válvula. Compruebe que la arandela de la bujía está en buen estado. Si la arandela está dañada, sustitúyala. Coloque la bujía y apriétela.

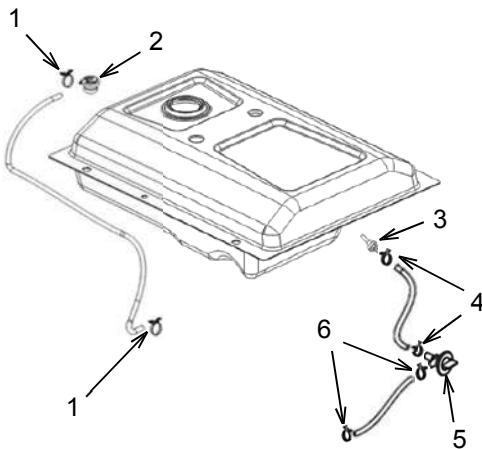
a $22 \pm 2 \text{ N}\cdot\text{m}$ ($16 \pm 2 \text{ lb ft}$). NO utilice un par de apriete mayor ya que dañaría el motor. Coloque el capuchón de la bujía.

Instalación del volante de inercia



Alinee los pernos de posicionamiento (1) de la copa de arranque y de ambos lados del impulsor con los orificios (2) de la copa de arranque y del volante de inercia. Coloque el conjunto en el cigüeñal. Asegure el conjunto al cigüeñal con tuercas (3). Apriete la tuerca a $95 \pm 4 \text{ N}\cdot\text{m}$ ($70 \pm 3 \text{ lbft}$).

Reemplazo de la línea de combustible y el filtro



Drene el combustible del depósito de combustible en un contenedor adecuado. Encienda el motor y deje que se agote el combustible. Coloque el interruptor del generador en la posición de apagado "0".

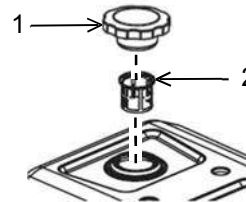
Mueva las pinzas (1) al centro de la línea de combustible. Retire la línea de combustible del sensor de vuelco (2) y la carcasa del filtro de aire.

Mueva las pinzas (4) al centro de la línea de combustible. Retire la línea de combustible del filtro de combustible (3) y la válvula de combustible (5). Retire el filtro de combustible. Limpie la superficie de montaje con un trapo limpio e instale un filtro de combustible nuevo. Apriete el filtro de combustible a $3 - 4 \text{ N}\cdot\text{m}$ ($27 - 35 \text{ lb in}$).

Mueva las pinzas (6) al centro de la línea de combustible. Retire la línea de combustible de la válvula de combustible y el carburador.

Mida la longitud de las líneas de combustible viejas y corte nuevos tramos de líneas de combustible que sean de la misma longitud. Examine las pinzas. Si las pinzas están dañadas deseche las pinzas viejas y use pinzas nuevas. Coloque dos pinzas cerca del centro de cada línea de combustible nueva e instale las líneas de combustible. Posicione las pinzas de modo que sostengan con seguridad la línea de combustible en su lugar.

Limpieza del filtro y el tapón del depósito de combustible



Limpie el tapón del depósito de combustible (1) y la zona alrededor del mismo antes de quitarlo. Al limpiar el tapón y la zona alrededor del mismo antes de quitarlo, se reduce la cantidad de contaminantes que entran al sistema de combustible.

Examine el tapón del depósito de combustible. Asegúrese de que el respiradero no esté tapado. Si está obstruido, use aire comprimido para despejar el respiradero.

Si se han acumulado residuos en el filtro de combustible (2), quite el filtro y enjuáguelo. Deje que el filtro se seque antes de volver a colocarlo. Si el filtro está dañado, reemplácelo.

Inspección del generador

Arranque el motor una vez al mes y espere a que alcance la temperatura normal de servicio (unos 20 minutos). Enchufe un equipo con cable y encienda el equipo para asegurarse de que el generador suministra energía. Cuando haya verificado que el generador suministra energía, apague el equipo y desenchúfelo. A continuación apague el generador.

Excitación de campo del generador

Bajo ciertas condiciones, el generador puede perder el magnetismo residual que se necesita para la excitación. Si esto ha ocurrido, puede ser capaz de cargar el campo de excitación siguiendo estos pasos:

1. Arranque el generador
2. Enchufe un taladro con cable en una de las tomas de corriente de 120 VAC.
3. Presione el gatillo del taladro, gire el mandril hacia atrás y luego suelte inmediatamente el gatillo.

- Presione el gatillo del taladro para ver si funciona.

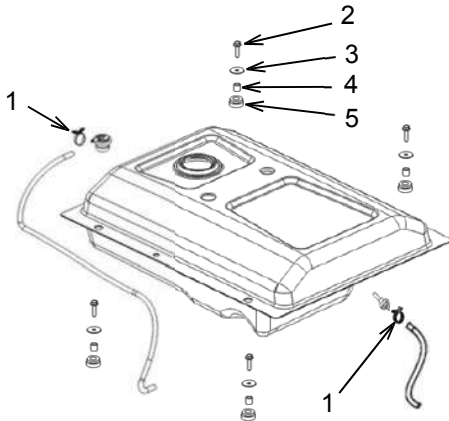
Es posible que tenga que repetir los pasos 3 y 4 un par de veces.

Si el generador todavía no proporciona alimentación, consulte el apartado "Solución de problemas" en este manual.

Ajuste del regulador de velocidad

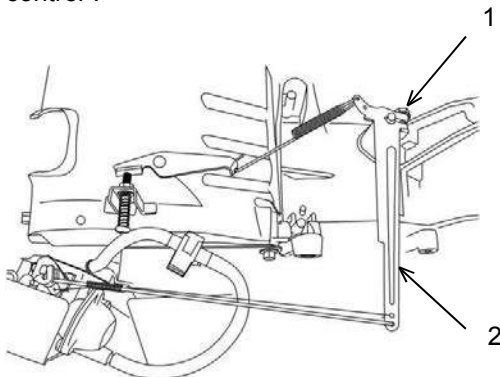
Si la velocidad máxima del motor no puede ser regulada para quedar dentro del rango apropiado mediante el procedimiento del apartado "Ajuste de la velocidad del motor", el regulador de velocidad podría necesitar un ajuste. Deberá retirar el depósito de combustible y el panel de control para ajustar el regulador de velocidad.

Drene el combustible del depósito de combustible en un contenedor apropiado. Encienda el motor y deje que se agote el combustible. Coloque el interruptor del generador en la posición de apagado "0".



Retire las pinzas de manguera (1) y las líneas de combustible del sensor de vuelco y el filtro del combustible. Retire los cuatro tornillos (2), arandelas (3), casquillos (4) y mangas (5). Levante el depósito de combustible para retirarlo.

Retire el panel de control siguiendo las instrucciones en el apartado "Servicio del panel de control".



- Afloje la tuerca (1)
- Asegúrese de que la válvula de mariposa del carburador esté completamente abierta
- Rote el eje del brazo del regulador de velocidad (2) completamente hacia la derecha
- Apriete la tuerca (1)
- Asegúrese de que el brazo del regulador de velocidad y la válvula de mariposa se muevan libremente
- Vuelva a instalar el panel de control
- Vuelva a instalar el tanque de gas
- Arranque el motor y revise la velocidad máxima del motor

Si la velocidad no está dentro del rango, repita el procedimiento del apartado "Ajuste de la velocidad del motor".

Kits para altitudes elevadas

A altitudes elevadas, la mezcla estándar de aire y combustible es demasiado rica y provoca un mayor consumo de combustible y un menor rendimiento. Una mezcla rica también ensuciará la bujía y dificultará el arranque. La utilización del generador a altitudes elevadas durante períodos de tiempo largos puede aumentar las emisiones.

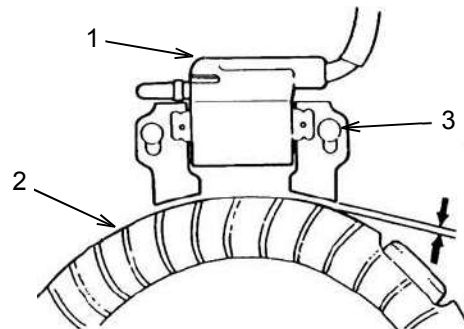
Puede asegurar un funcionamiento adecuado si instala un kit para altitudes elevadas cuando se requiera. Un kit para altitudes elevadas consiste en un inyector principal de combustible con diámetro más pequeño, así como un ajuste del tornillo del piloto. Consulte el apartado "Inspección y ajuste del carburador" para obtener instrucciones sobre cómo reemplazar el inyector principal de combustible.

Nota: En altitudes superiores a 8000 pies por encima del nivel del mar, el rendimiento del motor puede verse reducido aunque esté instalado el kit para altitudes elevadas.

Comprobación y ajuste de la bobina de arranque

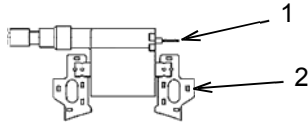
Drene el combustible del depósito de combustible y el carburador. Retire el depósito de combustible, el filtro de aire, el carburador y el conjunto del arrancador retráctil.

Ajuste de la bobina de arranque:



Use una galga de espesores para medir la distancia entre la bobina de arranque (1) y el volante de inercia (2). Para el RP5500 la distancia debe ser de 0.2 – 0.6 mm. Para el RP6500E y RP7500E la distancia debe ser de 0.4 – 0.6 mm. Si la distancia está fuera del rango aceptable, afloje los tornillos (3) y ajuste la bobina para que la distancia quede dentro del rango. Vuelva a apretar los tornillos.

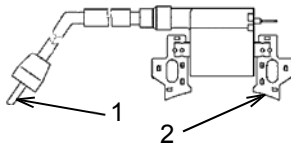
Compruebe el lado primario de la bobina de arranque:



Mida la resistencia de la bobina primaria haciendo tocar uno de los cables de un ohmímetro a la terminal primaria (1) y haciendo tocar el otro cable al marco de metal (2). Para el RP5500 la resistencia debe ser de 0.6 – 0.9 Ω. Para el RP6500E y RP7500E la resistencia debe ser de 0.8 – 1.0 Ω. Si la resistencia no está dentro del rango apropiado, reemplace la bobina.

Compruebe el lado secundario de la bobina de arranque:

Retire el capuchón de la bujía del cable de la bujía, cuidando de no dañar la rosca del capuchón.



Mida la resistencia de la bobina secundaria haciendo tocar uno de los cables de un ohmímetro al cable de la bujía (1) y haciendo tocar el otro cable al marco de metal (2). Para el RP5500 la resistencia debe ser de 5.6 – 6.6 kΩ. Para el RP6500E y RP7500E la resistencia debe ser de 5.9 – 7.1 kΩ. Si la resistencia no está dentro del rango apropiado, reemplace la bobina.

Mida la resistencia del capuchón de la bujía haciendo tocar uno de los cables de un ohmímetro al extremo del capuchón donde está el cable y haciendo tocar el otro cable al extremo del capuchón donde está la bujía. Para el RP5500 la resistencia debe ser de 7.5 – 12.5 kΩ. Para el RP6500E y RP7500E la resistencia debe ser de 5 kΩ. Si la resistencia no está dentro del rango apropiado, reemplace el capuchón de la bujía.

Comprobación del aislamiento

Use un megóhmetro para comprobar la resistencia al aislamiento del devanado del estátor en las siguientes situaciones:

- El grupo electrógeno es retirado del almacenamiento.
- El grupo electrógeno está operando en un ambiente húmedo.
- El grupo electrógeno no está protegido de los elementos.
- El grupo electrógeno no ha sido puesto a funcionar con carga por tres meses o más.

Devanado a tierra:

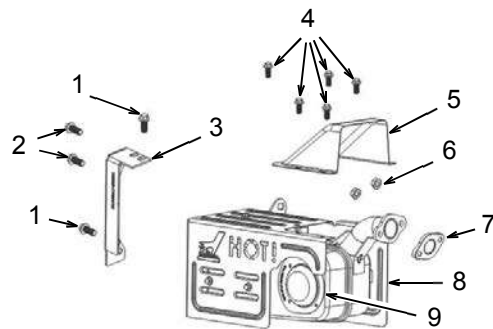
Conecte una de las terminales del megóhmetro al devanado que se está comprobando y la otra terminal a tierra. Cuando la lectura se estabilice, el valor mostrado es el valor de la resistencia al aislamiento del devanado a tierra. El valor debe ser muy alto. Si el valor no es alto, o si el valor ha disminuido significativamente desde la última lectura, reemplace el generador.

Anillo colector a tierra:

Conecte una de las terminales del megóhmetro a uno de los anillos de cobre en el colector y la otra terminal a tierra. Cuando la lectura se estabilice, el valor mostrado es el valor de la resistencia al aislamiento del devanado a tierra. El valor debe ser muy alto. Si el valor no es alto, o si el valor ha disminuido significativamente desde la última lectura, reemplace el generador.

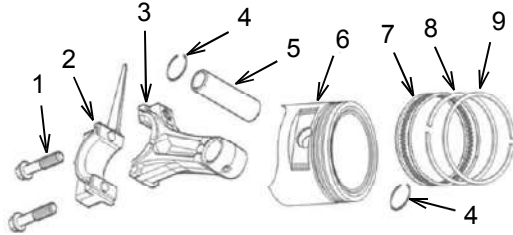
Inspección y reemplazo del silenciador

Permita que la unidad se enfríe antes de efectuar este procedimiento.



Retire los tornillos (1) y (2) y retire el soporte (3). Retire los tornillos (4) y la cubierta (5). Retire las tuercas (6) y levante el silenciador (8) para desprenderlo de los pasadores de montaje. Deseche las juntas usadas (7). No se recomienda retirar la cubierta del silenciador. Vuelva a instalarlo en orden inverso usando una junta nueva (7). Para dar servicio al apagachispas, consulte el apartado “Inspección/limpieza/ sustitución del apagachispas”.

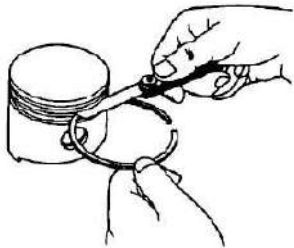
Inspección y reemplazo del pistón



Retire los tornillos de la biela (1) y el sombrerete de la biela (2). Empuje la biela y el pistón fuera del bloque. Retire cualquier acumulación de carbono. Inspeccione el orificio del cilindro. Si la pared del cilindro está dañada, reemplace el cárter. Use un extractor de anillos para retirar los anillos del pistón (7), (8) y (9). Inspeccione los anillos. Reemplace en caso de daño o desgaste. Retire los clips del bulón del pistón (4) y el bulón del pistón (5). Mida el diámetro interno del orificio del bulón del pistón. Mida el diámetro externo del bulón del pistón. Si la diferencia es de 0.08 mm o más, reemplace la parte desgastada. Inspeccione la parte superior del pistón (6) en busca de quemaduras o grietas. Inspeccione las ranuras del anillo del pistón en busca de daño. Si encuentra daño o desgaste, reemplace el pistón. Mida la falda del pistón y compare la medida con la siguiente tabla.

Modelo:	Normal:	Mínimo:
RP5500	79.985 mm	79.85 mm
RP6500E RP7500E	89.985 mm	89.975 mm

Si la medida es menor que el valor mínimo mostrado en la tabla, reemplace el pistón. Fije el pistón al cilindro y mida la distancia entre el pistón y la pared del cilindro insertando una galga de espesores. Si la distancia es de 0.12 mm o más, reemplace el pistón.



Mida la distancia del anillo, como se muestra. La distancia normal para el RP5500 es entre 0.015 – 0.045 mm. La distancia normal para el RP6500E y RP7500E es entre 0.030 y 0.060 mm. Si la distancia es de 0.15 mm o más, reemplace el pistón.

Coloque el anillo de aceite en el pistón e inserte el pistón en el cilindro. Mida la distancia entre las puntas del anillo de aceite. Los valores normales se muestran en la siguiente tabla. Si la distancia es de 1.0 mm o más, reemplace el anillo de aceite. Si la distancia es menor a 0.20 mm, use una lima delgada para aumentar el espacio. Tenga cuidado de no dejar ningún borde afilado.

Distancia entre las puntas del anillo		
Modelo:	Anillo superior / Anillo secundario:	Anillo de aceite:
RP5500	0.20 – 0.35 mm	0.20 – 0.70 mm
RP6500E RP7500E	0.20 – 0.40 mm	0.15 – 0.35 mm

Coloque el segundo anillo en el pistón e inserte el pistón al cilindro. Mida la distancia entre las puntas del anillo. Los valores normales se muestran en la siguiente tabla. Si la distancia es de 1.0 mm o más, reemplace el anillo de aceite. Si la distancia es menor a 0.20 mm, use una lima delgada para aumentar el espacio. Tenga cuidado de no dejar ningún borde afilado. Repita este procedimiento para el anillo superior.

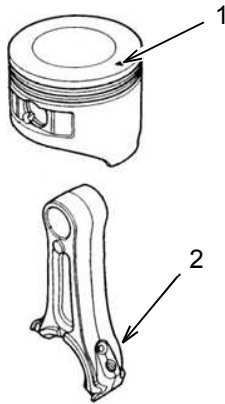
Biela:

Revise la biela. Si la biela está doblada o agrietada, reemplácela. Mida el diámetro interno del perno. Coloque la biela y mida el diámetro interno del extremo de la biela donde está el cigüeñal. Los diámetros normales y límites de servicio se muestran en la siguiente tabla. Si el diámetro está en el valor máximo o lo excede, reemplace la biela.

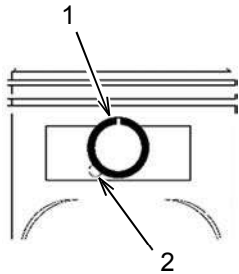
Diámetro interior de los extremos de la biela		
Extremo del perno:		
Modelo:	Normal:	Máximo:
RP5500	15.011 mm	15.07 mm
RP6500E RP7500E	20.005 mm	20.07 mm
Extremo del cigüeñal:		
RP5500	33.02 mm	33.07 mm
RP6500E RP7500E	36.025 mm	36.07 mm

Instalación:

La cabeza del pistón tiene una marca triangular para ayudar en el montaje.

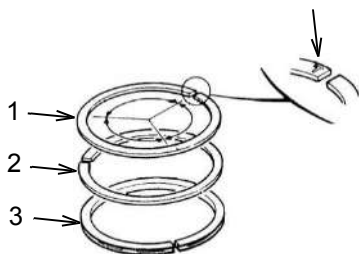


Coloque la biela en el pistón de modo que el lado más largo de la biela (2) quede alineado con la marca en la cabeza del pistón (1). Inserte el pasador del pistón a través de un lado del pistón, a través de la varilla de conexión, y luego a través del otro lado del pistón.



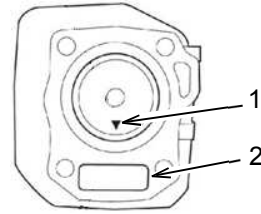
Coloque el clip del bulón del pistón (1) en la ranura del lado del pistón. Use un alicate puntiagudo para girar e introducir el clip. No alinee la ranura con el recorte (2). Repita para el otro lado.

Anillos:



Los anillos del pistón tienen una marca junto a la abertura. Use un extractor de anillo para instalar los anillos con la marca mirando hacia arriba del pistón. Asegúrese de instalar los anillos en las ranuras correctas, con el anillo de aceite (3) en la ranura inferior, el segundo anillo (2) en la ranura media, y el anillo superior (1) en la ranura más cercana a la cabeza del pistón. El anillo superior es de metal cromado. Asegúrese de que los

anillos se puedan mover libremente en la ranura del anillo. Escalone los extremos de los anillos de modo que estén a 120° de separación, como se muestra en el dibujo.



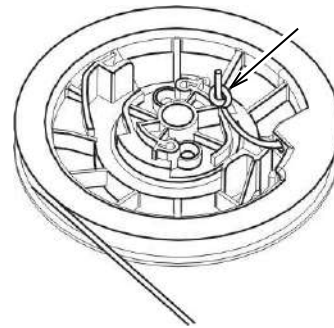
Cubra el pistón, los anillos y la pared del cilindro con aceite de motor. Use un compresor de anillo para empujar los anillos e inserte el pistón en el cilindro. Asegúrese de que la marca en la cabeza del pistón (1) se alinee con la marca del levantador (2) en el cárter. Use un montador de pistón para empujar el pistón fuera del compresor de anillo y dentro del cilindro.

Coloque los sombreretes de la biela y los tornillos de la biela. Apriete los tornillos a 15 ± 1 N·m.

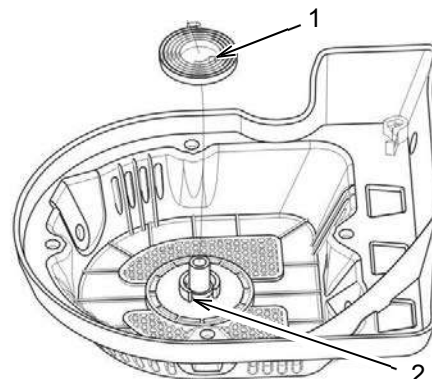
Instalación del resorte del arrancador retráctil

Nota: Se recomienda que reemplace el conjunto completo del arrancador retráctil.

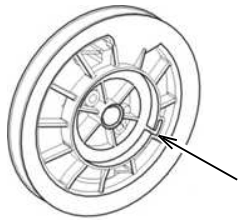
Inspeccione las partes. Reemplace cualquier parte con daño o desgaste.



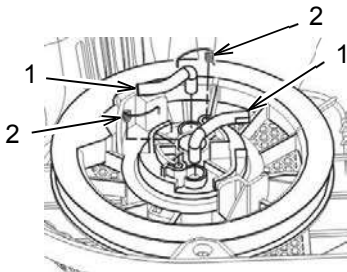
Pase el cable del arrancador retráctil a través del agujero en la polea del arrancador y haga un nudo al final de la cuerda como se muestra a continuación.



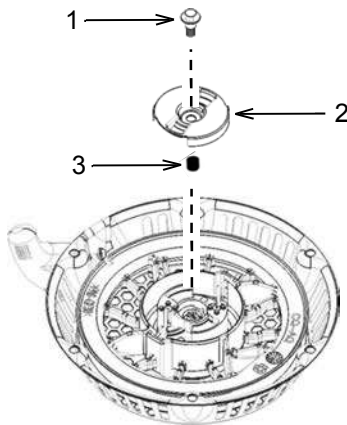
Coloque el gancho interno (1) del resorte del arrancador retráctil en la ranura (2) de la carcasa del arrancador y coloque el resorte del arrancador en la carcasa. Sostenga el resorte en su lugar.



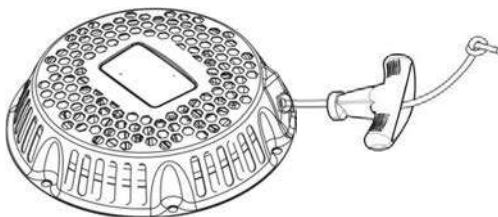
Coloque el gancho externo del resorte del arrancador retráctil en la ranura de la polea del arrancador y sostenga la polea en su lugar.



Coloque las levas de impulsión de arranque (1) en la polea del arrancador retráctil e instale los resortes de retorno (2) en la polea y engánchelos en el lado de las levas de impulsión.



Coloque el resorte (3), la guía de impulsión (2) y el tornillo de fijación (1). Apriete el tornillo de fijación a $9 \pm 1 \text{ N}\cdot\text{m}$ (6-7 lb ft).



Envuelva el cable alrededor de la polea. Jale ligeramente del cable y empuje el extremo del cable a través de la carcasa. Después empuje el extremo del cable a través de la manija. Amarre un nudo en el extremo del cable y deje que el resorte jale la manija de regreso a la carcasa. Jale ligeramente para asegurarse de que el ensamblaje está funcionando adecuadamente.

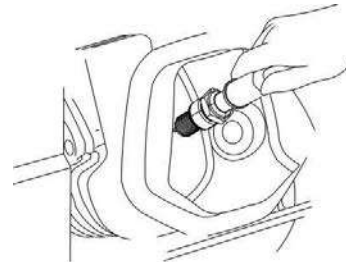
Revisión de la chispa

PELIGRO

Peligro de descarga eléctrica o electrocución: No utilice ni realice trabajos en este equipo sin antes haber leído y comprendido las instrucciones y advertencias de este manual de usuario. De lo contrario, podría sufrir lesiones incluso mortales.

Asegúrese de que sus manos estén secas y de que no está eléctricamente conectado a tierra.

Para reducir el riesgo de una llamarada, asegúrese que no hay combustible en la cercanía. Gire la válvula de combustible a la posición de apagado "0", y drene el combustible fuera del carburador.



- Retire el capuchón de la bujía y la bujía
- Jale la manija del arrancador retráctil para drenar el combustible del cilindro
- Coloque el capuchón de la bujía en la bujía
- Coloque el interruptor del generador en la posición de encendido "1".
- Sostenga la bujía por el capuchón y coloque delicadamente la rosca de la bujía contra la cabeza del cilindro como se muestra a continuación.
- Jale la manija del arrancador retráctil y compruebe que salte una chispa.
- Si la chispa es débil o si no hay chispa, consulte el apartado "Inspección/ajuste/sustitución de la bujía".
- Si la bujía no es el problema, consulte el apartado "Inspección de la bobina de arranque".

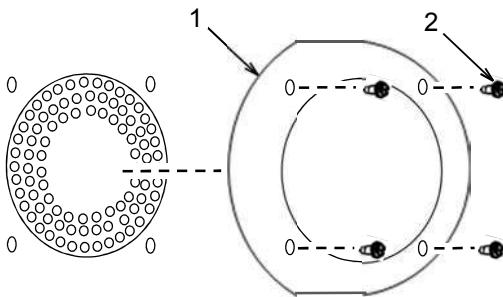
Inspección/limpieza/sustitución del apagachispas

El generador cuenta con un apagachispas situado en la salida de escape del silenciador. El apagachispas se limpia con un cepillo de alambre suave cada 50 horas de servicio o 3 meses de uso. El apagachispas debe ser reemplazado después de cada 100 horas de operación.

ADVERTENCI

Las piezas o componentes calientes podrían causar quemaduras o lesiones. Las piezas o componentes calientes no deben entrar en contacto con la piel. Utilice ropa o equipos de protección para proteger la piel.

NO realice esta tarea de mantenimiento hasta que el silenciador se haya enfriado.

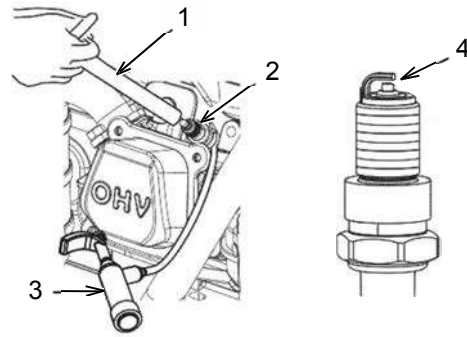


Quite los tornillos (2). Quite el apagachispas (1) y compruébelo. Limpie con cuidado el apagachispas utilizando un cepillo de alambre suave. Reemplace el apagachispas si está dañado.

Para colocar el apagachispas, alinee los orificios de montaje del apagachispas con los orificios del silenciador. Inserte los tornillos (2) y apriete con firmeza.

Inspección/ajuste/sustitución de la bujía

Consulte el apartado "Especificaciones" de este manual para determinar el número de referencia correcto de la bujía y la distancia entre electrodos correspondiente a su generador.

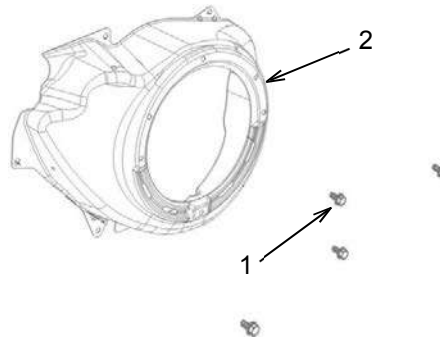


1. Quite el panel lateral.
2. Retire el capuchón de la bujía (3)
3. Use la llave de bujías (1) o una llave de carraca y un enchufe de bujía de 13/16" para retirar la bujía
4. Compruebe visualmente si la bujía está dañada. Si el aislante tiene fisuras, sustituya la bujía. Si el electrodo está dañado, sustituya la bujía.
5. Mida la distancia entre electrodos (4) con una galga de espesores. La distancia debe ser de 0.7 mm - 0.8 mm (028 - .032 pulgadas). Ajuste la distancia según sea necesario doblando el electrodo lateral si hace falta.
6. Compruebe que la arandela de la bujía está en buen estado. Si la arandela está dañada, sustitúyala.
7. Instale la bujía y apriétela a $22 \pm 2 \text{ N}\cdot\text{m}$ ($16 \pm 2 \text{ lb ft}$). NO utilice un par de apriete mayor ya que dañaría el motor.
8. Coloque el capuchón de la bujía.

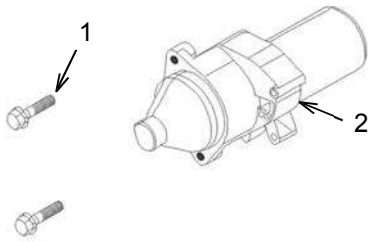
Reemplace el arrancador (si es necesario)

Desconecte el cable negativo de la batería y asegúrelo de modo que no entre en contacto con la batería.

Retire el arrancador retráctil si es necesaria una holgura adicional para alcanzar los tornillos.

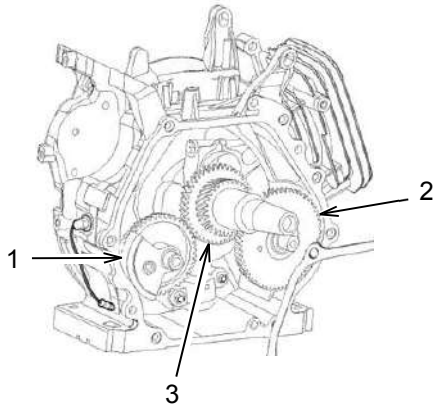


Retire los tornillos (1) y la envoltura (2).



Retire los pernos de montaje del arrancador (1) de la parte frontal del cárter y desprenda el arrancador (2) de la parte lateral del cárter. Vuelva a instalarlo en orden inverso.

Inspección y reemplazo del engranaje de distribución



El motor tiene tres ejes, el eje de balanceo (1), el árbol de levas (2) y el cigüeñal (3). Inspeccione los engranajes en cada eje. Si los engranajes están desgastados o alguno de los dientes está roto, reemplace el engranaje. Revise la interacción de los engranajes. Si los engranajes encajan con demasiada soltura, el motor correrá más ruidoso de lo normal. Se recomienda que reemplace los engranajes si la interacción es muy suelta. Si debe reemplazar los engranajes o ejes, reemplazarlos uno a la vez reducirá el riesgo de ensamblarlos incorrectamente.

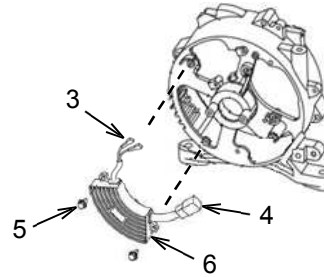
El cigüeñal y árbol de levas tienen marcas de alineación en la cara del engranaje. Use las marcas para alinear los engranajes durante el montaje. Cuando alinee las marcas, asegúrese de que el pistón está en la posición de punto muerto superior.

Reemplace el regulador de voltaje

El regulador de voltaje está localizado detrás de la cubierta del generador.



Retire los tornillos (1) y retire la cubierta del motor (2).



Desconecte los cables (3) de la escobilla y desenchufe el conector (4). Retire los tornillos (5) y el regulador de voltaje (6). Vuelva a instalarlo en orden inverso. Los cables rojos van en la terminal “+” de la escobilla. Los cables blancos van en la terminal “-” de la escobilla.

Inspección visual

Inspeccione visualmente el equipo antes de arrancar el motor. Compruebe:

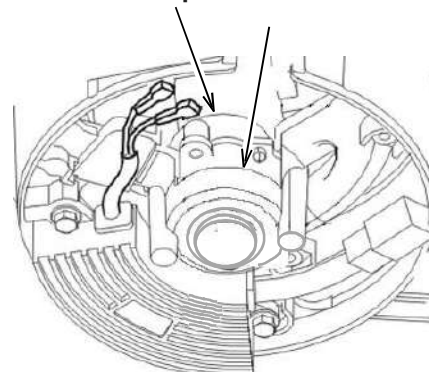
- Nivel de aceite adecuado
- Nivel de combustible adecuado
- Buena calidad de combustible
- Fugas de fluidos
- Abrazaderas sueltas
- Pernos sueltos
- Grietas en el tubo de combustible
- Cables sueltos o deshilachados
- Residuos acumulados

Asegúrese también de que:

- La toma de tierra está correctamente conectada
- Los cortacircuitos están en la posición de apagado “0”
- La perilla del estrangulador está por fuera
- El interruptor de combustible está en la posición de encendido “I”

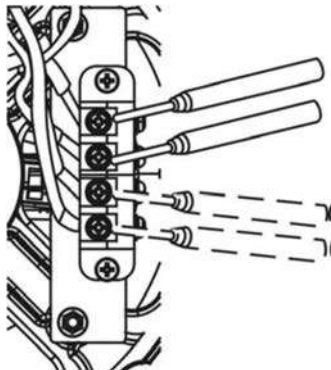
Comprobación de los devanados

Devanado de campo:



Retire la escobilla. Use un ohmímetro o multímetro para medir la resistencia del anillo colector en los puntos mostrados. La resistencia debe ser $58.5 \Omega \pm 10\%$ a 25°C . Si la resistencia está fuera del margen de tolerancia, limpie el anillo colector y haga la prueba de nuevo. Reemplace el generador de ser necesario.

Devanado principal:



En el bloque de terminales, use un ohmímetro o multímetro para medir la resistencia del devanado principal. Coloque el medidor alternando las terminales de salida de corriente y tome las mediciones. La resistencia debe ser de $0.35 \Omega \pm 10\%$ a 25°C . Si la resistencia está fuera del margen de tolerancia, reemplace el alternador. Mida la resistencia de cada cable a la conexión a tierra. La resistencia debe ser infinita. Si la resistencia no es infinita, reemplace el alternador.

ALMACENAMIENTO

Cuando un generador está guardado, puede condensarse humedad en las bobinas. Para minimizar la condensación, guarde siempre el generador en un lugar seco. Tape el generador con una cubierta protectora que llegue al suelo. Esta cubierta debe quedar floja alrededor del generador para permitir una ventilación adecuada.

Almacenamiento por 1 - 3 meses

Elimine cualquier suciedad, óxido, grasa o aceite del generador. NO utilice una hidrolimpiadora para limpiar el generador. Compruebe el exterior. Realice las reparaciones necesarias.

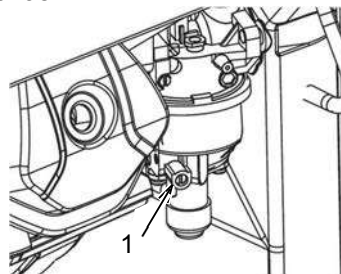
Añada estabilizador de combustible al depósito de combustible para evitar el deterioro de la gasolina. Arranque el motor y déjelo funcionar durante 10 minutos para asegurarse de que el estabilizador de combustible ha llegado al carburador. Apague el motor y espere a que se enfríe.

Gire la válvula de combustible a la posición de apagado "0".

Coloque el generador en el lugar donde será almacenado. Tape el generador.

Almacenamiento por más de 3 meses

Elimine cualquier suciedad, óxido, grasa o aceite del generador. NO utilice una hidrolimpiadora para limpiar el generador. Compruebe el exterior. Realice las reparaciones necesarias.



⚠ PELIGRO

La gasolina es extremadamente inflamable y explosiva en determinadas circunstancias. Drene el combustible en una zona bien ventilada con el motor parado y frío. Nunca fume durante este proceso y evite las llamas abiertas o chispas en la zona.

Asegúrese de que la válvula de combustible está en la posición de arranque "1". Quite el tapón del depósito de combustible y el tapón del orificio de drenado (1) de la taza del carburador y drene el combustible en un recipiente adecuado. NO guarde el combustible para volver a usarlo con el generador. Cuando haya drenado todo el combustible, coloque el tapón del orificio de drenado en el carburador. Gire la válvula de combustible a la posición de apagado "0". Aplique una pequeña cantidad de aceite en la rosca del cuello de llenado del depósito de combustible y coloque el tapón.

Sustituya el aceite de motor.

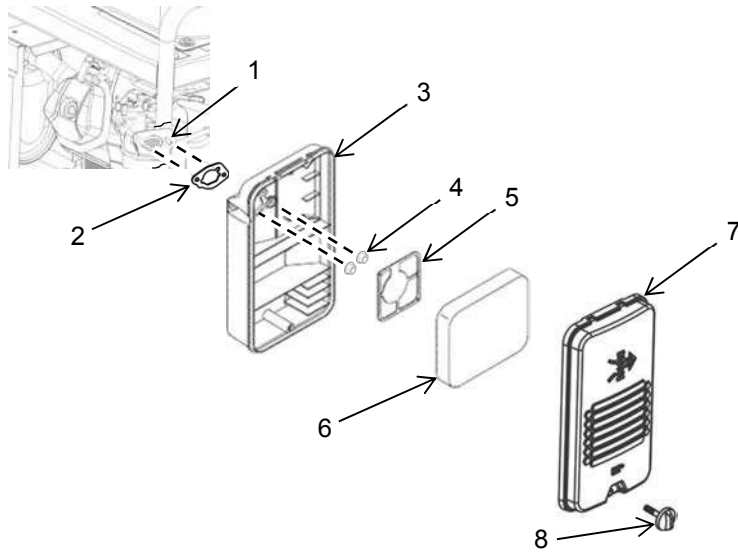
Quite la bujía y aplique una pequeña cantidad de aceite en el cilindro. Coloque la bujía pero sin colocarle el capuchón. Tire 3 veces de la manija de arranque para distribuir el aceite por las paredes del cilindro.

Retire la batería y guárdela. Compruebe la batería periódicamente y cárguela cuando sea necesario.

Coloque el generador en el lugar donde será almacenado. Tape el generador.

DIAGRAMAS

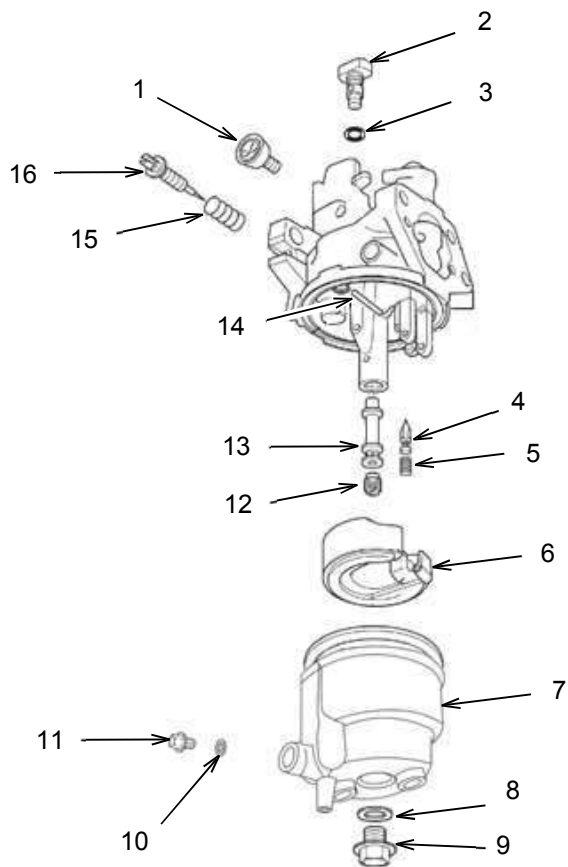
Conjunto del filtro de aire



- 1. Pasadores de montaje
- 2. Junta
- 3. Carcasa
- 4. Tuerca de 6 mm

- 5. Soporte
- 6. Elemento de filtro
- 7. Cubierta
- 8. Perno de la cubierta

Carburador

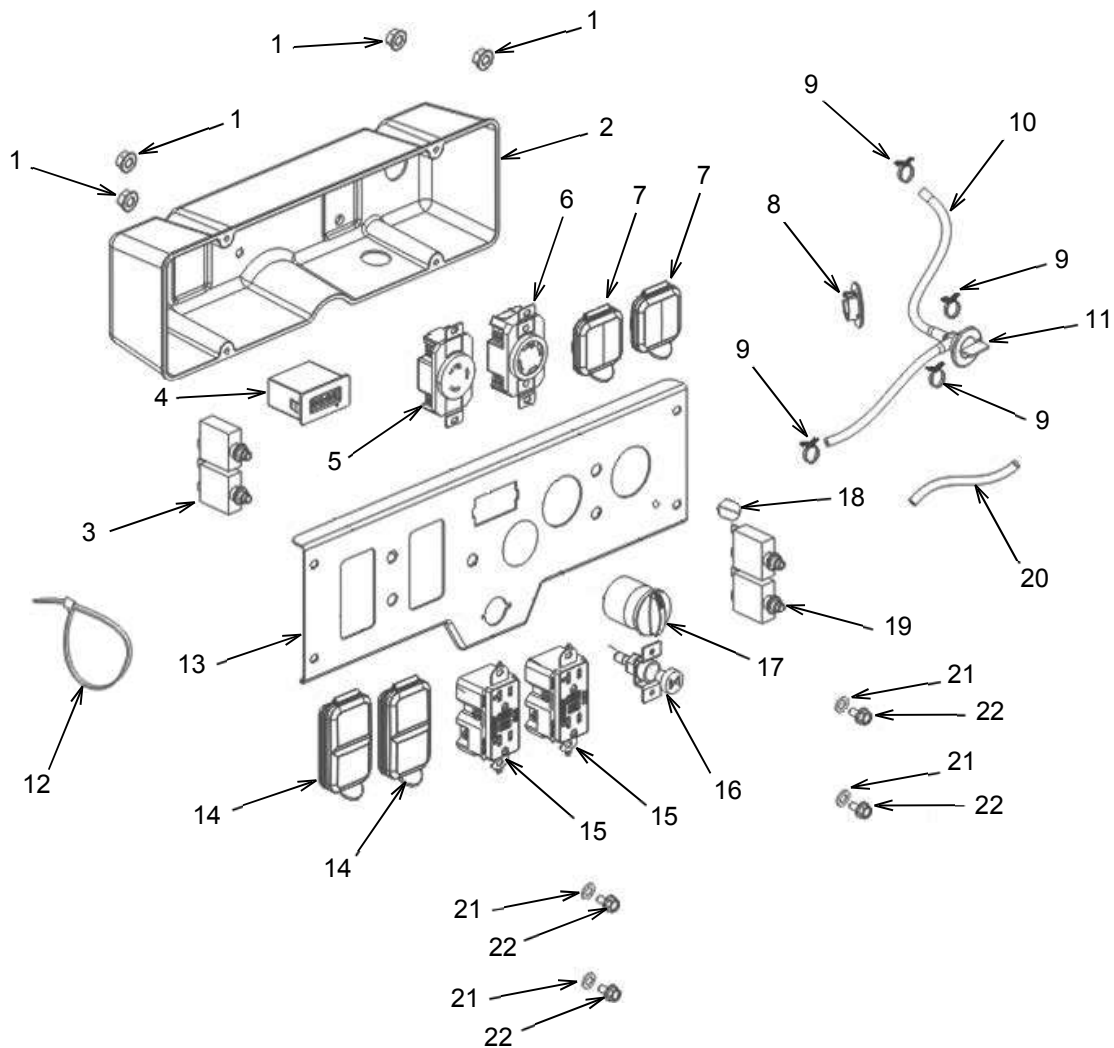


- 1. Tornillo del régimen de ralentí
- 2. Inyector del piloto
- 3. Sello
- 4. Válvula del flotador
- 5. Resorte del flotador

- 6. Flotador
- 7. Cámara del flotador
- 8. Junta
- 9. Tornillo
- 10. Junta
- 11. Tornillo de drenado

- 12. Inyector principal
- 13. Boquilla
- 14. Varilla del flotador
- 15. Resorte
- 16. Tornillo del piloto

Panel de control

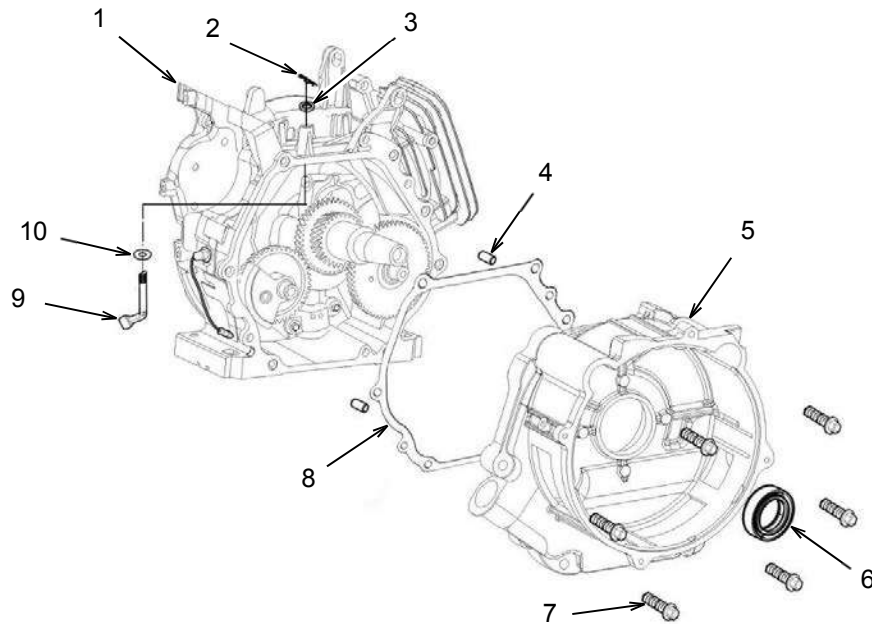


- | | |
|--|--------------------------------------|
| 1. Tuerca (7 mm) | 12. Brida para cables |
| 2. Cubierta | 13. Panel |
| 3. Cortacircuitos | 14. Cubierta dúplex |
| 4. Pantalla | 15. Recipiente – dúplex 120 VAC GFCI |
| 5. Recipiente – bloqueo giratorio* 120 VAC | 16. Conjunto del estrangulador |
| 6. Recipiente – bloqueo giratorio 240 VAC | 17. Interruptor del generador |
| 7. Cubierta** | 18. Luz del panel |
| 8. Clip de válvula de combustible | 19. Cortacircuitos |
| 9. Pinza de manguera | 20. Manga |
| 10. Línea de combustible | 21. Arandela |
| 11. Válvula de combustible | 22. Tornillo (10 x 19 mm) |

* - No incluido en RP5500

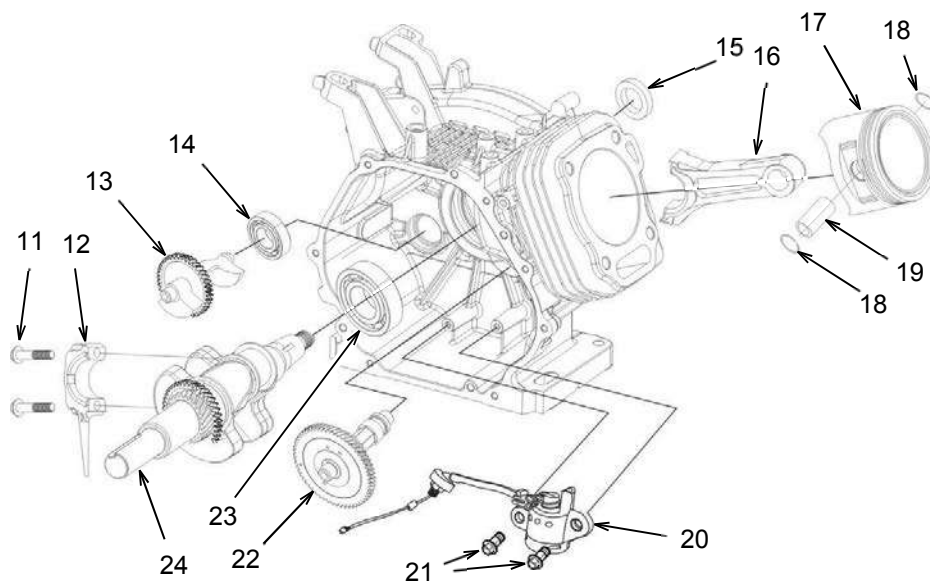
** - Sólo uno incluido en RP5500

Cárter y pistón



1. Cárter
2. Perno del regulador de velocidad
3. Sello
4. Perno de sujeción
5. Cubierta del cárter

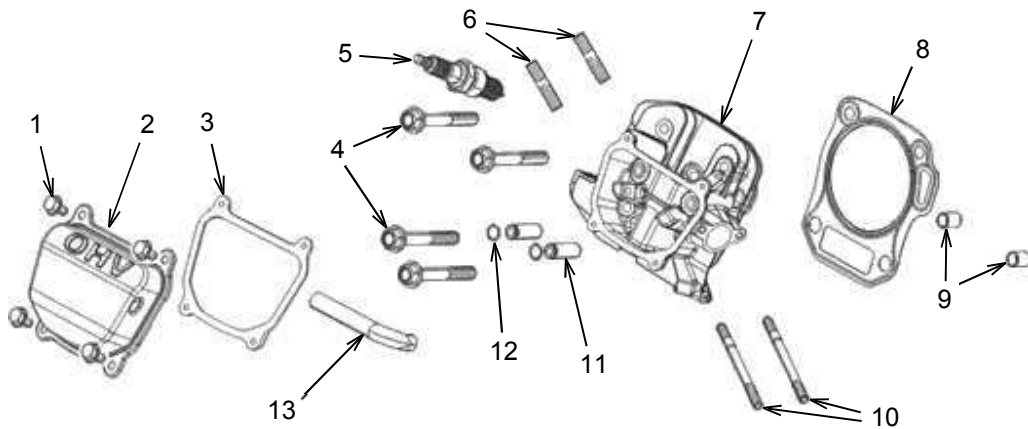
6. Sello (55 mm)
7. Tornillo (M8 x 40)
8. Junta del cárter
9. Brazo del regulador de velocidad
10. Arandela



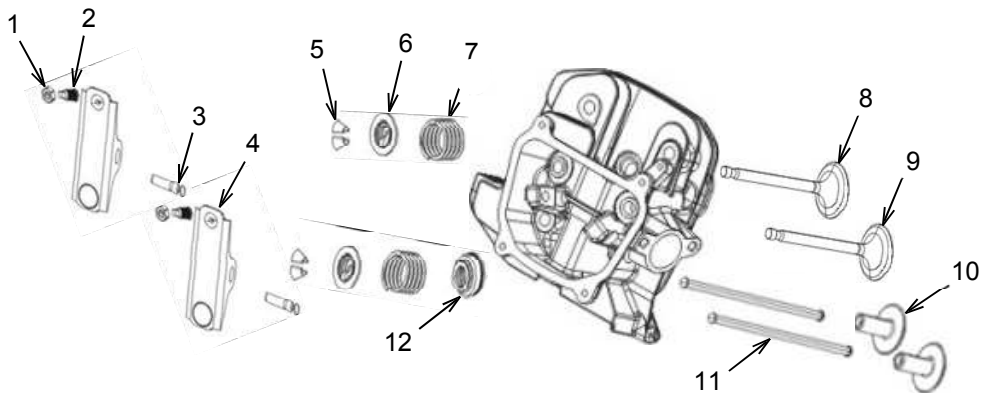
11. Tornillo de biela (M15 x 44)
12. Tapa de la biela
13. Eje de balanceo
14. Rodamiento
15. Sello (55 mm)
16. Biela
17. Pistón

18. Clip del bulón del pistón
19. Bulón del pistón
20. Sensor de aceite
21. Tornillo (M6 x 16)
22. Árbol de levas
23. Rodamiento del árbol de levas
24. Cigüeñal

Cabeza del cilindro y válvulas

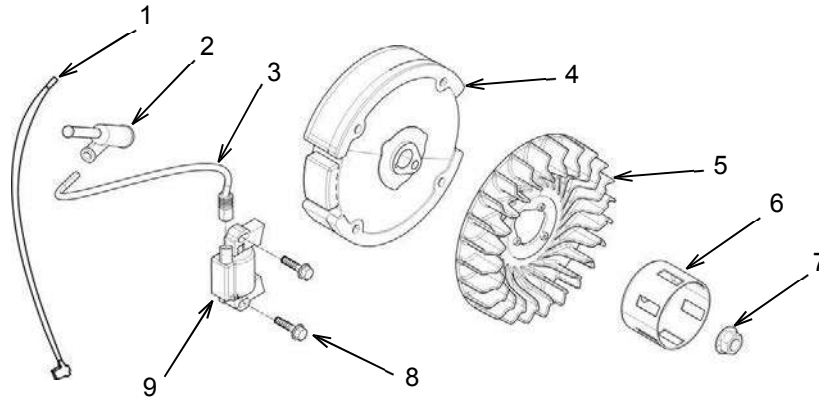


- | | | |
|--|------------------------------------|---------------------|
| 1. Tornillo de la tapa de la válvula | 5. Bujía | 11. Guía de válvula |
| 2. Tapa de la válvula | 6. Pasador 8 x 34 mm | 12. Clip |
| 3. Junta de la tapa de la válvula | 7. Cabeza del cilindro | 13. Tubo respirador |
| 4. Tornillos de la cabeza del cilindro | 8. Junta de la cabeza del cilindro | |
| | 9. Perno | |
| | 10. Pasador 9 x 112 mm | |



- | | |
|--------------------------|-----------------------|
| 1. Contratuerca | 7. Resorte |
| 2. Tuerca de ajuste | 8. Válvula de escape |
| 3. Perno del balancín | 9. Válvula de entrada |
| 4. Balancín | 10. Levantador |
| 5. Rotador de la válvula | 11. Varilla de empuje |
| 6. Retenedor | 12. Retenedor |

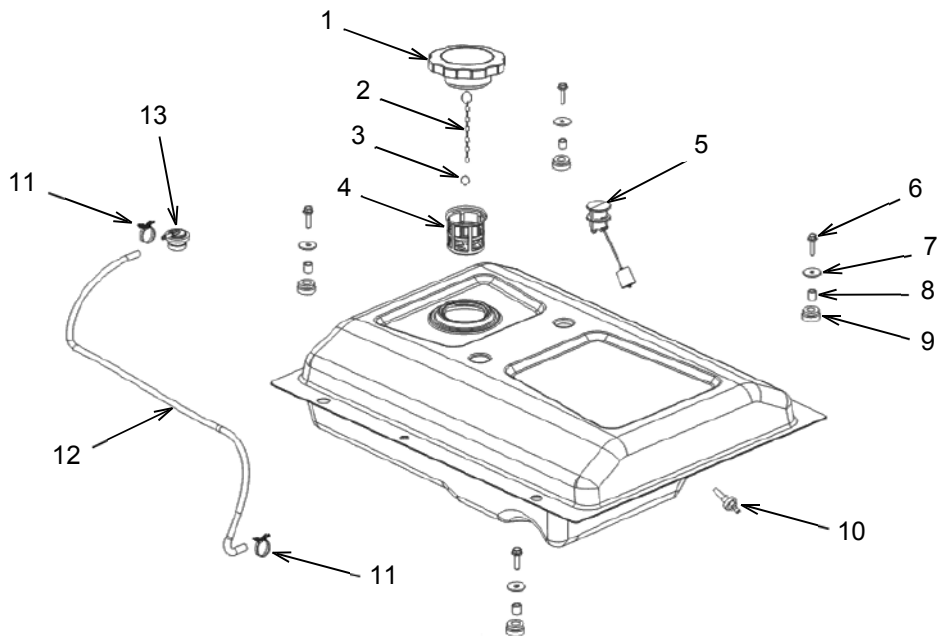
Volante de inercia



1. Tira de amarre
2. Capuchón de la bujía
3. Cable de la bujía
4. Volante de inercia
5. Impulsor

6. Copa de arranque
7. Tuerca 16 mm
8. Tornillo 6 x 25 mm
9. Bobina de arranque

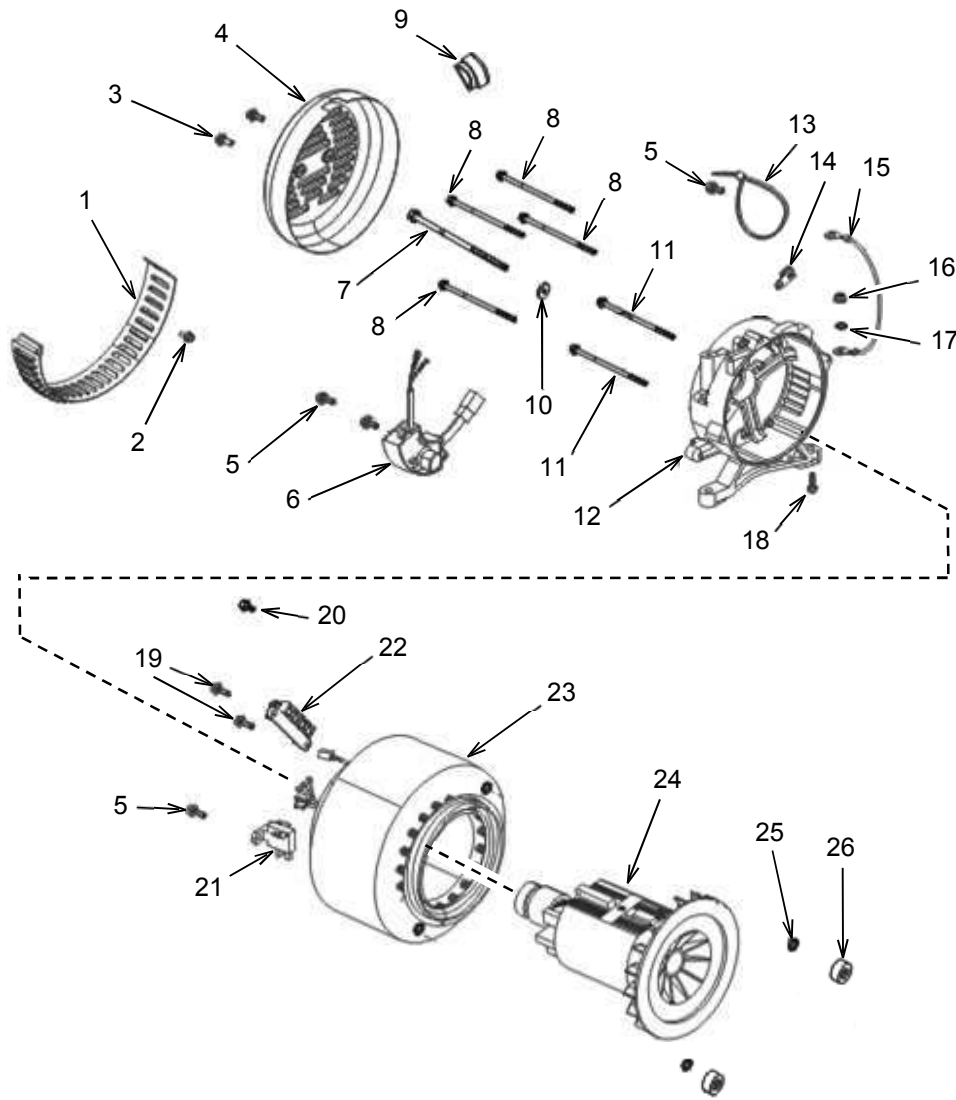
Depósito de combustible



1. Tapón del depósito de combustible
2. Cadena
3. Clip
4. Filtro de combustible
5. Indicador de combustible
6. Tornillo (32 x 14 mm)
7. Arandela

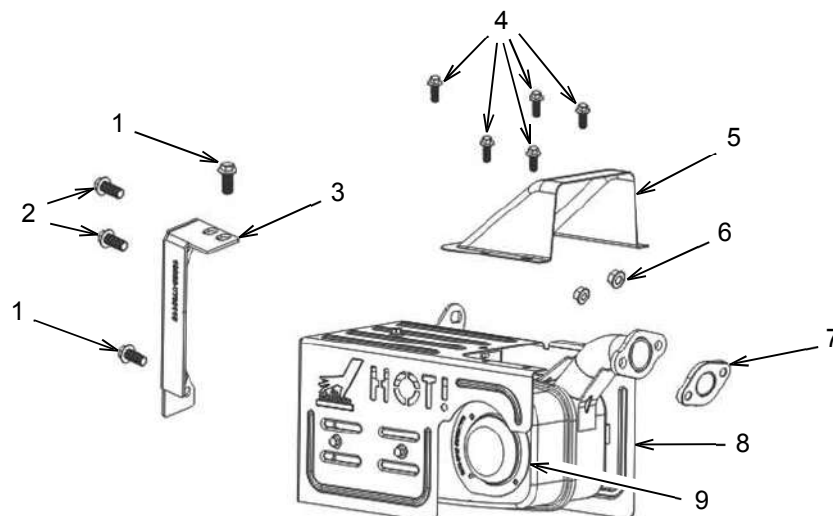
8. Casquillo
9. Camisa
10. Filtro de combustible
11. Pinza de manguera
12. Línea de combustible
13. Válvula de vuelco

Generador



- | | | |
|---------------------------|----------------------------------|------------------------------|
| 1. Envoltura | 11. Tornillo (225 x 15 mm) | 20. Tornillo (16 x 12 mm) |
| 2. Tornillo (15 x 13 mm) | 12. Soporte | 21. Conjunto de la escobilla |
| 3. Tornillo (16 x 12 mm) | 13. Banda | 22. Bloque de terminales |
| 4. Cubierta | 14. Terminal (conexión a tierra) | 23. Estátor |
| 5. Tornillo (21 x 12 mm) | 15. Cable (tierra) | 24. Rotor |
| 6. Regulador de voltaje | 16. Tuerca (M15) | 25. Arandela |
| 7. Tornillo (287 x 20 mm) | 17. Arandela de bloqueo | 26. Tuerca (M10) |
| 8. Tornillo (195 x 13 mm) | 18. Tornillo (19 x 8 mm) | |
| 9. Cubierta | 19. Tornillo (20 x 12 mm) | |
| 10. Arandela (33 mm) | | |

Silenciador

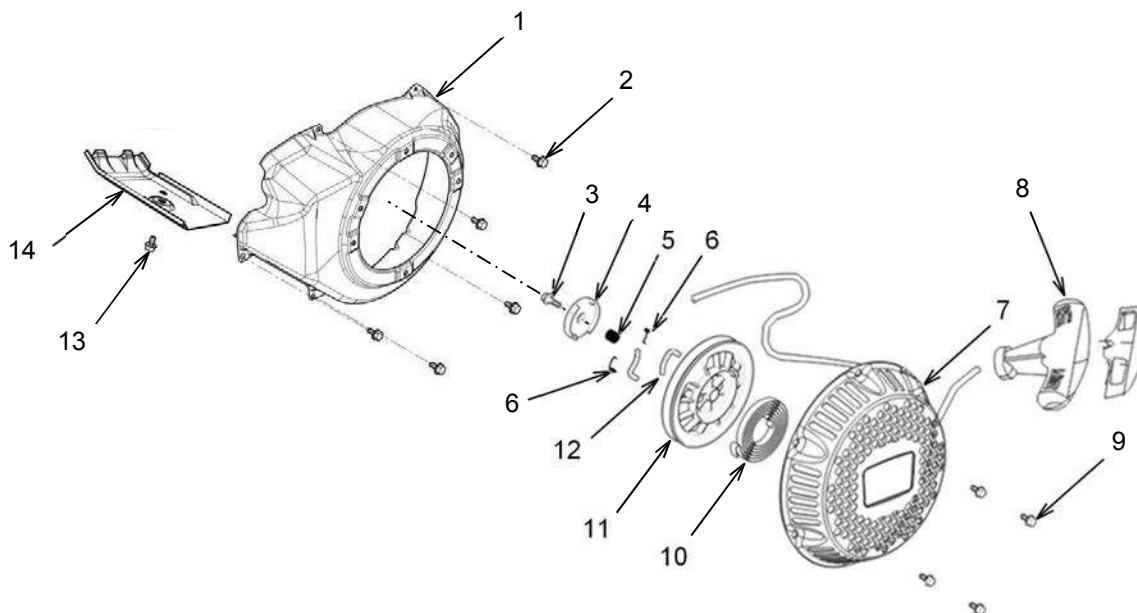


- 1. Tornillo (18 x 24 mm)
- 2. Tornillo (18 x 24 mm)
- 3. Soporte
- 4. Tornillo (18 x 13.5 mm)

- 5. Cubierta
- 6. Tuerca (M13)
- 7. Junta

- 8. Conjunto del silenciador
- 9. Apagachispas

Arrancador retráctil



- 1. Envoltura
- 2. Tornillo 6 x 10 mm
- 3. Tornillo de bloqueo
- 4. Guía de impulsión
- 5. Resorte
- 6. Resorte de retorno

- 7. Carcasa
- 8. Asa
- 9. Tornillo 6 x 12 mm
- 10. Resorte del arrancador
- 11. Polea del arrancador retráctil

- 12. Levas de impulsión
- 13. Tornillo 6 x 12 mm
- 14. Envoltura del cuerpo del cilindro

RESOLUCIÓN DE PROBLEMAS

Problema:	Posible causa:	Solución:	Comprobación:	
El motor no arranca	El interruptor del generador está en la posición de apagado "0"	Coloque el interruptor del generador en la posición correcta.	Arranque el motor	
	Perilla del estrangulador en posición incorrecta	Coloque la perilla del estrangulador en la posición correcta.		
	Aceite insuficiente en el motor	Compruebe el nivel de aceite. Si es bajo, añada aceite recomendado. Consulte el apartado "Revisión del nivel de aceite del motor" para el aceite adecuado.		
	Filtro de aire sucio	Revise el filtro de aire. Limpie o reemplace según sea necesario.		
	Batería descargada o con defecto	Si está equipado. Arranque el motor usando el arrancador retráctil. Si el generador arranca, compruebe la batería. Si la batería suministra menos de 12.4 V, sustitúyala.		
	No hay combustible	Llene el depósito de combustible		
	Combustible viejo o contaminado	Drene y vuelva a llenar de ser necesario.		
	No hay combustible en el carburador	Asegúrese de que el interruptor de combustible está en la posición de encendido "I".		Revise el respiradero del tapón del depósito de combustible. Si el respiradero está tapado, límpielo.
	No hay suficiente combustible para el motor	Asegúrese de que la válvula de aguja se cierra adecuadamente. Limpie o reemplace según sea necesario.		Inspeccione la boquilla del combustible. Límpiela de ser necesario. Inspeccione el flotador. Si el flotador está dañado o pegado, repárelo o reemplácelo según sea necesario.
	Motor ahogado	Espera 5 minutos.		Retire y limpie la bujía. Succione el combustible o deje que el combustible se evapore antes de volver a instalar la bujía.
	No hay chispa	Inspeccione la bujía. Limpie la bujía, ajuste la distancia entre los electrodos o reemplace la bujía según sea necesario.		Inspeccione el cable de la bujía. Reemplácelo si presenta daño. Revise la resistencia. Si la resistencia está fuera del margen de tolerancia, reemplace el cable. Inspeccione la bobina de arranque. Reemplácela si presenta daño. Revise las resistencias. Si alguna de las resistencias están fuera del margen de tolerancia, reemplace la bobina de arranque. Inspeccione la distancia entre la bobina de arranque y el volante de inercia. Ajuste la distancia de ser necesario. Inspeccione el magneto. Reemplácelo de ser necesario. Revise el cableado para estar seguro de que ninguno de los cables hace cortocircuito a tierra.
	Presión del cilindro	Inspeccione los tornillos de la cabeza del cilindro para asegurarse de que están apretados al par de apriete adecuado de 40 ± 3 N·m. Apriete de ser necesario.		Inspeccione la junta de la cabeza del cilindro. Reemplácela si presenta daño.
Revise la holgura y los asientos de la válvula. Ajuste o repare según sea necesario.				

Problema:	Posible causa:	Solución:	Comprobación:
		<p>Inspeccione las superficies de la cabeza del cilindro y del bloque del cilindro en busca de planitud. Repare o reemplace si se encuentran fuera del margen de tolerancia.</p> <p>Inspeccione los anillos del pistón. Si los anillos del pistón están desgastados o rotos, reemplácelos.</p>	
	Si aún así el motor no arranca:	Reconstruya el motor, sustituya el motor o considere reemplazar la unidad.	
El motor arranca pero corre con dificultad o no tiene suficiente energía	Filtro de aire sucio	Revise el filtro de aire. Límpielo o reemplácelo según sea necesario	Arranque el motor. Revise si tiene energía o corre con dificultad
	Perilla del estrangulador en posición incorrecta	Coloque la perilla del estrangulador en la posición correcta.	
	Aire en la línea de combustible o línea de combustible tapada	Revise la línea de combustible. Despeje o reemplace según sea necesario.	
	No hay suficiente combustible en el motor	Asegúrese de que la válvula de aguja se cierra adecuadamente. Limpie o reemplace según sea necesario.	
		Inspeccione la boquilla del combustible. Límpiela de ser necesario.	
		Inspeccione el flotador. Si el flotador está dañado o pegado, repárelo o reemplácelo según sea necesario.	
	Carbono acumulado en la cámara de combustión	Retire la cabeza del cilindro y limpie de ser necesario.	
	Presión del cilindro	Revise la holgura y los asientos de la válvula. Consulte la tabla de "Especificaciones de mantenimiento" y el apartado "Ajuste del juego de válvula del motor" para el valor adecuado. Ajuste o repare según sea necesario.	
		Inspeccione la junta de la cabeza del cilindro. Reemplace si presenta daño.	
		Inspeccione los anillos del pistón. Si los anillos del pistón están desgastados o rotos, reemplácelos.	
Si el motor aún presenta baja energía:	Reconstruya el motor, sustituya el motor o considere reemplazar la unidad.		
El motor se apaga	No hay combustible	Revise el nivel de combustible. Rellene de ser necesario.	Arranque el motor. Revise si se apaga
	Aceite insuficiente en el motor	Compruebe el nivel de aceite. Si es bajo, añada aceite recomendado. Consulte el apartado "Revisión del nivel de aceite del motor" para el uso adecuado del aceite.	
	Filtro de aire sucio	Limpie el filtro de aire.	
	Sobrecarga del generador	Desenchufe alguno de los equipos.	
	Si aún así el motor se apaga:	Reconstruya el motor, sustituya el motor o considere reemplazar la unidad.	
El motor hace sonidos inusuales	Golpeteo	Revise la temperatura del motor. Si el motor está muy caliente, consulte el apartado de sobrecalentamiento.	Arranque el motor. Revise en busca de algún sonido inusual
		Asegúrese de que el combustible es bueno y de la calificación adecuada. Drene y vuelva a llenar el depósito de combustible de ser necesario.	
		Asegúrese de que el volante de inercia está apretado adecuadamente al cigüeñal. Consulte el apartado "Instalación del volante de inercia" para determinar el par de apriete adecuado.	
		Revise la holgura de la válvula. Consulte la tabla de "Especificaciones de mantenimiento" y el apartado "Ajuste del juego de válvula del motor" para el valor adecuado. Ajuste la holgura de la válvula si está fuera del margen de tolerancia.	
		Revise en busca de acumulaciones de carbono en el cilindro. Límpielo de ser necesario.	

Problema:	Posible causa:	Solución:	Comprobación:
		Inspeccione el pistón y los anillos del pistón. Si el pistón o anillos están desgastados o rotos, reemplace la pieza defectuosa.	
		Inspeccione el bulón del pistón y el orificio del bulón del pistón. Reemplácelo si está desgastado.	
		Inspeccione los extremos de la biela. Reemplácela si está desgastada.	
		Inspeccione el rodamiento principal. Reemplácelo si está desgastado.	
	Si el motor aún hace sonido inusual:	Reconstruya el motor, sustituya el motor o considere reemplazar la unidad	
Sobrecalentamiento del motor	Aceite bajo	Revise el aceite. Vuelva a llenar el aceite o cambie el aceite según sea necesario.	Arranque el motor y deje que alcance su temperatura normal de servicio. Revise la temperatura.
	Tubo de escape bloqueado	Revise el tubo de escape. Si el tubo de escape está bloqueado, elimine el bloqueo.	
	Residuos en las aletas de refrigeración	Limpie los residuos.	
	Ajuste incorrecto del regulador de velocidad	Revise la velocidad del motor. Ajuste el regulador de velocidad según sea necesario.	
	La envoltura del impulsor gotea	Inspeccione la envoltura. Repárela o reemplácela según sea necesario.	
	El cilindro o el pistón o el anillo del pistón está desgastado	Inspeccione el cilindro, el pistón y los anillos del pistón. Reemplácelos de ser necesario.	
	Biela deformada	Inspeccione la biela. Reemplácela de ser necesario.	
	Si el motor todavía se sobrecalienta:	Reconstruya el motor, sustituya el motor o considere reemplazar la unidad	
El motor arranca, pero el generador no provee energía o provee baja energía	Velocidad baja del motor	Revise la velocidad del motor. Consulte el apartado "Ajuste de la velocidad del motor" de ser necesario.	Arranque el motor y revise el voltaje de salida
	Cortacircuitos abierto	Cierre el cortacircuitos.	
	Conexión incorrecta	Pare el motor y compruebe las conexiones.	
	Cable de alimentación defectuoso	Sustituya el cable.	
	Equipo defectuoso conectado	Desenchufe el equipo defectuoso.	
	Mala conexión AVR o AVR defectuosa	Revise los voltajes y conexiones. Apriete cualquier conexión floja. Reemplace el AVR.	
	Falso contacto en la escobilla de carbono	Limpie la superficie del anillo colector y la superficie de arco de la escobilla de carbono.	
	Presión impropia de la escobilla	Ajuste o reemplace el resorte.	
	Falso contacto en el cable del estátor o del rotor	Revise los contactos. Apriételos o reemplácelos según sea necesario.	
	Falso contacto en el panel, el medidor o los enchufes		
	Campo magnético perdido	Realice una excitación de campo del generador.	

Problema:	Posible causa:	Solución:	Comprobación:
	Devanado o conexión de devanado defectuosos	Revise cada devanado. Revise las conexiones a tierra. Revise el aislamiento. Revise el lazo de excitación en busca de un circuito abierto. Apriete cualquier conexión floja y reemplace cualquier pieza defectuosa.	
	Si todavía no hay energía o la energía es baja:	Reconstruya el generador, sustituya el generador o considere reemplazar la unidad.	
Sobrecalentamiento del núcleo del estátor	Alto voltaje de estátor	Ajuste el voltaje.	Arranque el motor y deje que alcance su temperatura normal de servicio. Revise la temperatura del estátor.
	Corriente de excitación muy alta	Reduzca la carga del generador.	
	Baja velocidad del motor	Revise la velocidad del motor. Consulte el apartado "Ajuste de la velocidad del motor" de ser necesario.	
	Fricción entre el estátor y el rotor	Busque signos de desgaste en el núcleo del rotor. Elimine cualquier punto abultado.	
	Temperatura muy alta del devanado del estátor	Consulte el apartado "Sobrecalentamiento del devanado del estátor"	
	Si el núcleo del estátor todavía se está sobrecalentando:	Reconstruya el generador, sustituya el generador o considere reemplazar la unidad.	
Sobrecalentamiento del devanado del estátor	Demasiada carga	Reduzca la carga del generador.	Arranque el motor y deje que alcance su temperatura normal de servicio. Revise la temperatura del estátor.
	Respiradero bloqueado	Revise el respiradero. Limpie según sea necesario.	
	Circuito abierto en devanado del estátor	Revise el devanado en busca de un circuito abierto. Repárelo o reemplácelo según sea necesario.	
	Devanado del estátor conectado a tierra	Revise en busca de un devanado que esté haciendo cortocircuito a tierra. Repárelo o reemplácelo según sea necesario.	
	Si el devanado del estátor todavía se está sobrecalentando:	Reconstruya el generador, sustituya el generador o considere reemplazar la unidad.	
Sobrecalentamiento del devanado del rotor	Baja velocidad del motor	Revise la velocidad del motor. Ajustela de ser necesario.	Arranque el motor y deje que alcance su temperatura normal de servicio. Revise la temperatura del rotor.
	Vía de ventilación bloqueada	Asegúrese de que todos los conductos de aire estén desbloqueados. Limpie el generador de ser necesario.	
	Circuito abierto en devanado de rotor	Revise los devanados en busca de un circuito abierto. Repárelos o reemplácelos según sea necesario.	
	Devanado del rotor conectado a tierra	Revise en busca de un devanado que esté haciendo cortocircuito a tierra. Repárelos o reemplácelos según sea necesario.	
	Fricción entre el estátor y el rotor	Busque signos de desgaste en el núcleo del rotor. Elimine cualquier punto abultado.	
	Si el devanado del rotor todavía se está sobrecalentando:	Reconstruya el generador, sustituya el generador o considere reemplazar la unidad.	

APÉNDICE

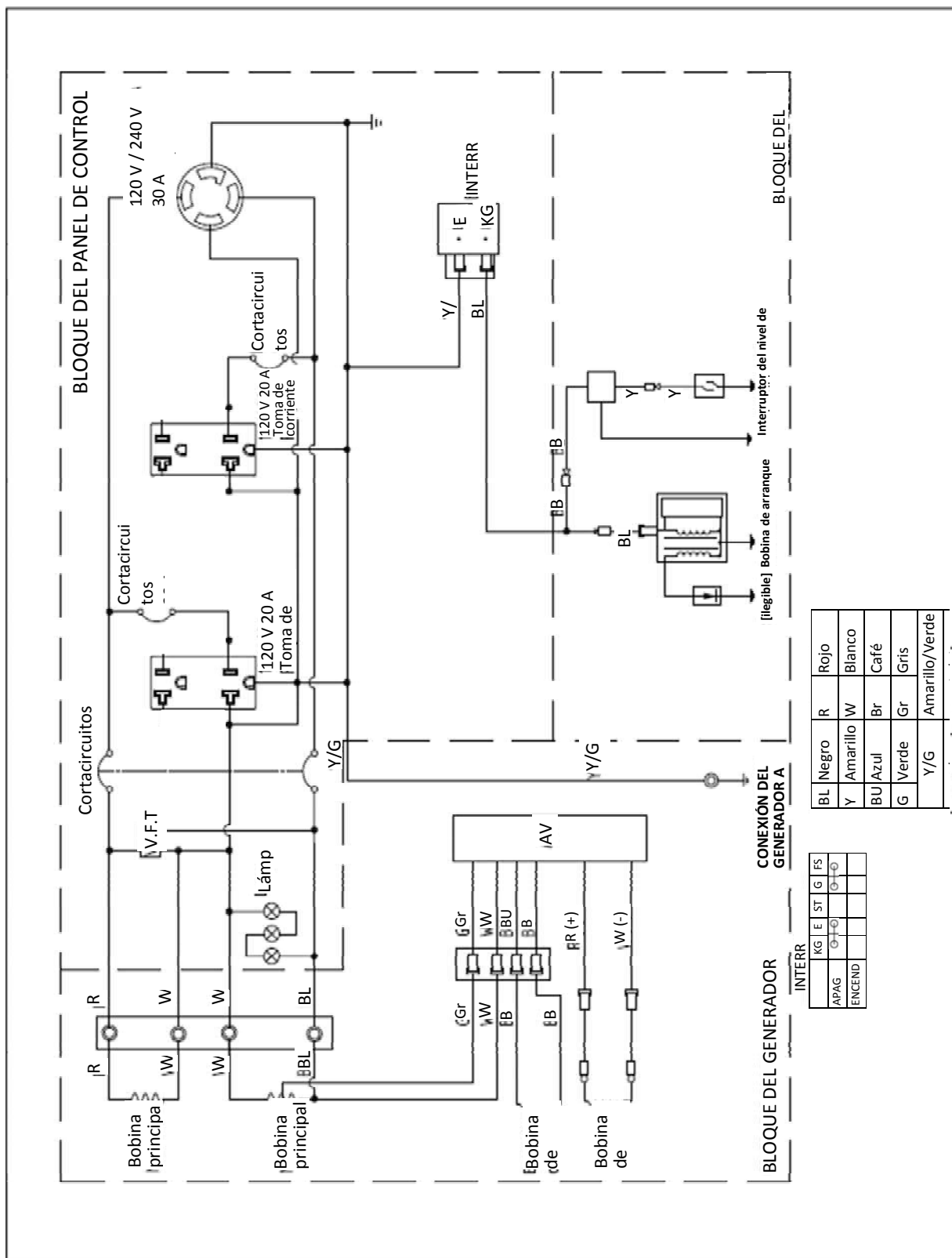
Especificaciones del producto

	Elemento	RP5500	RP6500 E	RP7500 E
Motor	Tipo de motor	Un solo cilindro, 4 tiempos, refrigeración por aire forzado, OHV		
	Cilindrada (cc)	301	420	420
	Sistema de ignición	Magneto transistorizado		
	Volumen de combustible (l)	28.5		
	Consumo de combustible (g/(kWh))	≤374		
	100% carga continua, tiempo de servicio (h)	10	7.5	7.5
	50% carga continua, tiempo de servicio (h)	15	12	11
	Capacidad de aceite (l)	1.1		
Generador	Voltaje de carga (VDC)	-	0-15	
	Corriente de carga (A)	-	0-100	
	Frecuencia nominal (Hz)	60		
	Voltaje nominal (V)	120/240		
	Potencia nominal de salida (kW)	5.5	6.5	7.5
	Potencia pico de salida (kW)	6.9	8.1	9.375
Grupo electrógeno	Capacidad nominal de la batería (AH)	-	1.6	
	Batería (V)	-	12	
	Longitud (mm)	835		
	Anchura (mm)	533		
	Altura (mm)	563		
	Peso neto (kg)	74	85	87.5
	Fase	Monofásico		

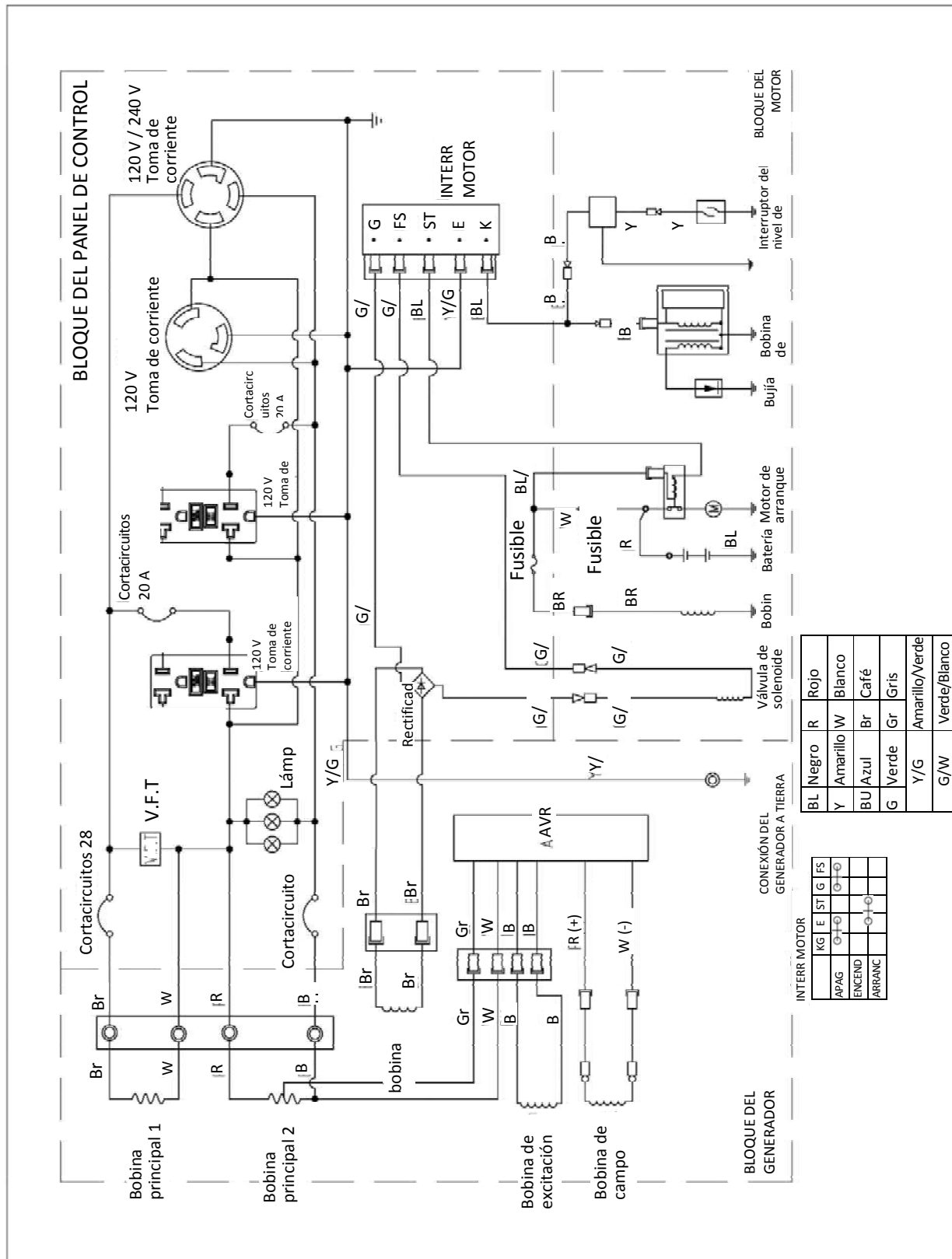
Especificaciones de mantenimiento

Elemento	Especificación		Límite de servicio	
	RP5500	RP6500E RP7500E	RP5500	RP6500E RP7500E
Máxima velocidad (sin carga)	3730 - 3830 rpm		-	
Compresión (a 1400 rpm)	≥ 1.0 mPa	≥ 1.2 mPa	-	
I.D. de la camisa del cilindro	80.0 – 80.015 mm	90.0 mm	80.17 mm	90.025 mm
Planitud de la cubierta de la cabeza del cilindro	-		0.10 mm	
O.D. de la falda del pistón	79.985 mm	89.985 mm	79.85 mm	89.975 mm
Distancia del pistón al cilindro	0.025 – 0.04 mm	0.015 – 0.05 mm	0.12 mm	
I.D. del orificio del bulón del pistón	15.002 mm	20.002 mm	15.042 mm	20.048 mm
O.D. del bulón del pistón	15.00 mm	19.994 mm	14.954 mm	19.95 mm
Distancia del bulón al orificio del bulón	0.004 – 0.016 mm	0.002 – 0.014 mm	0.08 mm	0.06 mm
Holgura lateral del anillo del pistón	0.015 – 0.045 mm	0.030 – 0.060 mm	0.15 mm	
Apertura del anillo del pistón	0.20 – 0.35 mm	0.20 – 0.40 mm	1.0 mm	
Apertura del anillo de aceite del pistón	0.20 – 0.70 mm	0.15 – 0.35 mm	1.0 mm	
Anchura del anillo del pistón	1.2 mm		1.05 mm	1.17 mm
Anchura del anillo de aceite del pistón	2.2 mm	2.5 mm	2.05 mm	2.37 mm
I.D. del extremo del pistón de la biela	15.011 mm	20.005 mm	15.07 mm	20.07 mm
I.D. del extremo del cigüeñal de la biela	33.02 mm	36.025 mm	33.07 mm	36.07 mm
Holgura de aceite	0.040 – 0.064 mm		0.12 mm	
Holgura lateral del extremo del cigüeñal	0.3 – 0.4 mm	0.10 – 0.40 mm	1.0 mm	
O.D. del perno del cigüeñal	29.975 mm	35.975 mm	29.92 mm	35.93 mm
Holgura de la válvula de entrada	0.05 ± 0.02 mm		-	
Holgura de la válvula de escape	0.05 ± 0.02 mm		-	
I.D. del vástago de la válvula de entrada	5.468 mm	5.48 mm	5.318 mm	
I.D. del vástago de la válvula de escape	5.425 mm	5.44 mm	5.275 mm	
I.D. de la guía de la válvula	5.50 mm		5.572 mm	
Holgura del vástago de la válvula de entrada	0.02 – 0.044 mm		0.10 mm	
Holgura del vástago de la válvula de escape	0.06 – 0.087 mm		0.12 mm	
Anchura del asiento de la válvula	0.8 - 1.0 mm		2.0 mm	
Longitud libre del resorte de la válvula	37.5 mm		36 mm	36.5 mm
Lóbulo de entrada del árbol de levas	32.063 mm	32.498 mm	31.813 mm	32.198 mm
Lóbulo de escape del árbol de levas	31.808 mm	31.985 mm	31.558 mm	29.886 mm
O.D. del muñón del árbol de levas	16.166 mm	15.966 mm	16.12 mm	15.92 mm
I.D. del soporte del árbol de levas	16.2 mm	16.0 mm	16.248 mm	16.05 mm
Inyector principal del carburador	1.02 mm		-	
Distancia entre electrodos	0.70 – 0.80 mm		-	
Resistencia del cable de la bujía	7.5 – 12.5 k Ω	5 k Ω	-	
Resistencia de la bobina primaria de arranque	0.6 – 0.9 Ω	0.8 – 1.0 Ω	-	
Resistencia de la bobina secundaria de arranque	5.6 – 6.6 k Ω	5.9 – 7.1 k Ω	-	
Espacio de aire de la bobina de arranque	0.2 – 0.6 mm	0.4 – 0.6 mm	-	
Resistencia del devanado del estátor	0.35 ± 10% a 25°C		-	
Resistencia del devanado del auxiliar del estátor	3.05 Ω ± 10% a 25°C		-	
Resistencia del devanado de la excitación del rotor	58.5 Ω ± 10% a 25°C		-	
Longitud de la escobilla de carbono	10 mm		6 mm	

Esquema eléctrico RP5500



Esquema eléctrico RP6500 E y RP7500 E



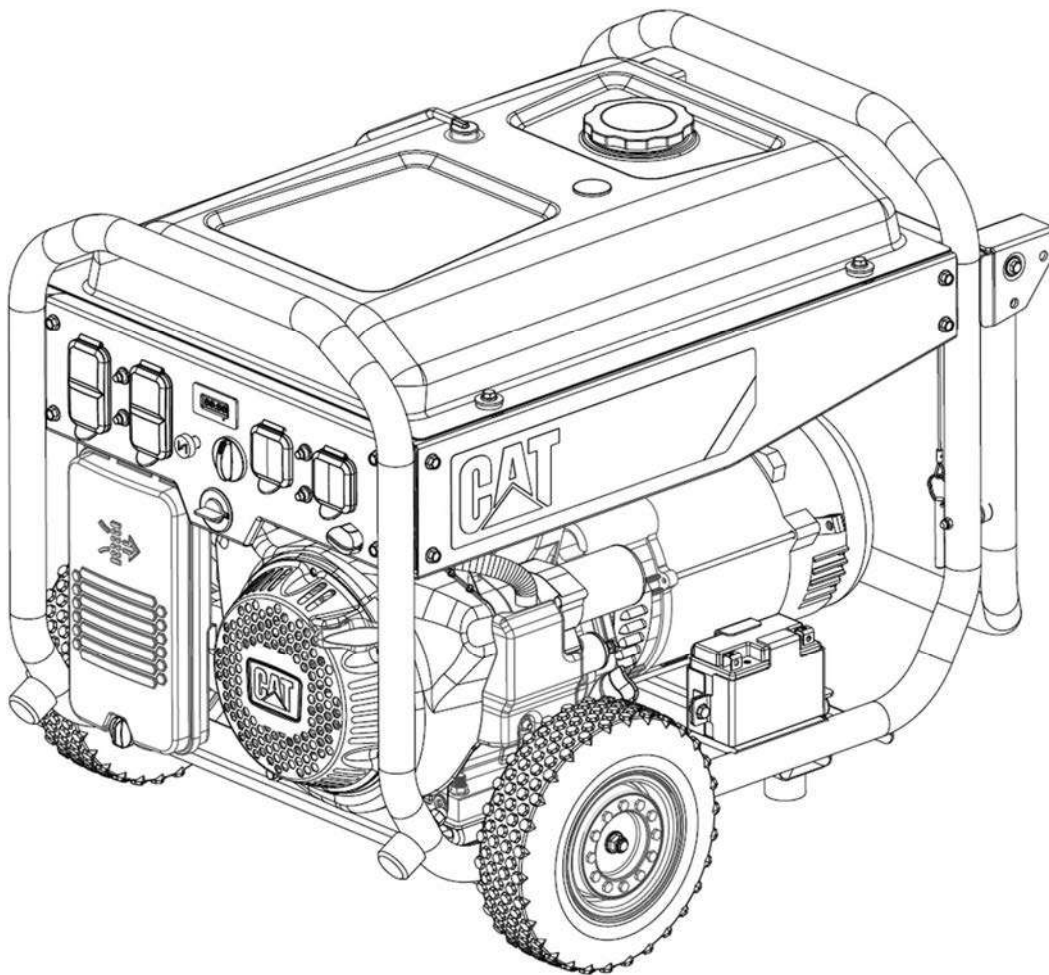


© 2018 Caterpillar
Todos los derechos
reservados

CAT, CATERPILLAR, los logotipos correspondientes, el “amarillo Caterpillar” y la imagen comercial POWER EDGE, así como la identidad corporativa y de producto aquí utilizadas, son marcas comerciales de Caterpillar y no pueden ser usadas sin permiso.


Manuel d'entretien

Générateurs portables RP5500, RP6500 E et RP7500 E



Renseignements importants concernant la sécurité

La plupart des accidents impliquant l'utilisation, l'entretien et la réparation du produit sont causés par le non-respect des règles ou des consignes de sécurité de base. Il est souvent possible d'éviter un accident en reconnaissant les situations potentiellement dangereuses avant qu'un accident se produise. Toute personne doit être consciente des risques potentiels, y compris des facteurs humains pouvant affecter la sécurité. Toute personne doit également être formée et posséder les compétences et les outils nécessaires pour effectuer correctement ces opérations.

Des consignes et des avertissements de sécurité sont fournis dans ce manuel ainsi que sur le produit. Si ces avertissements sont ignorés, vous ou d'autres personnes risquez de subir des blessures pouvant entraîner la mort. Les dangers sont identifiés par le « Symbole d'alerte de sécurité »  et suivis d'un « mot indicateur », comme « DANGER », « AVERTISSEMENT » ou « ATTENTION ».

Caterpillar ne peut pas anticiper toutes les circonstances possibles pouvant impliquer un danger potentiel. Les avertissements inclus dans la présente publication et sur le produit ne représentent donc pas une liste exhaustive. Vous ne devez pas utiliser ce produit d'une manière qui diffère de celle indiquée dans ce manuel sans avoir pris en compte toutes les règles et consignes de sécurité applicables à l'utilisation du produit à l'emplacement prévu, y compris les règles et les consignes spécifiques applicables au lieu de travail. Si vous utilisez un outil, une procédure, une méthode de travail ou une technique d'utilisation qui ne fait pas partie des recommandations spécifiques de Caterpillar, vous devez vous assurer que cela ne présente aucun danger pour vous ni pour les autres. Vous devez également vous assurer que vous avez l'autorisation d'effectuer cette tâche et que le produit ne sera ni endommagé ni rendu dangereux par les procédures d'utilisation, de lubrification, d'entretien ou de réparation que vous envisagez d'utiliser.

Les renseignements, les caractéristiques et les illustrations inclus dans la présente publication sont basés sur les données disponibles au moment de sa rédaction. Les caractéristiques, les valeurs de couple et de pression, les mesures, les réglages, les illustrations et d'autres éléments peuvent être modifiés à tout moment. Ces modifications peuvent avoir un impact sur l'entretien du produit. Procurez-vous les tout derniers renseignements complets avant d'entreprendre une tâche.

Aux États-Unis, l'entretien, le remplacement ou la réparation des dispositifs et des systèmes de contrôle des émissions peuvent être effectués par un établissement quelconque de réparation ou un individu choisi par le propriétaire.

Le présent manuel contient des renseignements relatifs à la sécurité, à l'utilisation et à l'entretien. Le présent manuel doit être entreposé avec le produit. Lisez et étudiez le manuel, et entreposez-le avec la documentation et les renseignements sur le produit.

Avertissement concernant la Proposition 65 de Californie



AVERTISSEMENT

Ce produit, ainsi que tous ses accessoires, peut vous exposer à des substances chimiques telles que le benzène, reconnu par l'État de Californie comme cancérigène, mutagène et reprotoxique. Pour plus de renseignements, consultez le site www.P65Warnings.ca.gov. Pour réduire les risques pour la santé, évitez d'inhaler les vapeurs de carburant et d'essence, ainsi que les gaz d'échappement du moteur. Lavez-vous les mains après utilisation.

Table des matières

Avertissement concernant la Proposition 65 de Californie	2
MESSAGES DE SÉCURITÉ.....	5
Messages supplémentaires	6
Exigences spéciales	6
IDENTIFICATION DES COMPOSANTS.....	7
Type de moteur et numéro de série.....	7
ENTRETIEN	8
Maintenance périodique	8
Outils spéciaux	8
PROCÉDURES D'ENTRETIEN ET DE MAINTENANCE	8
Filtre à air – Vérification.....	8
Batterie – Test/Remplacement (le cas échéant).....	9
Brosse – Inspection/Réparation/ Remplacement.....	9
Arbre à cames – Inspection/ Remplacement.....	9
Carburateur – Inspection/Réglage.....	10
Panneau de commande – Utilisation.....	11
Vilebrequin – Inspection/remplacement.....	12
Pression du cylindre – Vérification.....	12
Niveau d'huile moteur – Vérification	12
Huile moteur – Changement.....	13
Régime du moteur – Réglage.....	13
Soupape du moteur – Inspection/remplacement	13
Jeu des soupapes du moteur – Réglage	16
Volant d'inertie – Installation.....	17
Conduite d'alimentation en carburant et filtre à carburant – Remplacement	17
Bouchon et filtre du réservoir de carburant – Nettoyage	17
Générateur – Inspection	17
Générateur - Court-circuitage pendant le fonctionnement.....	17
Gouverneur - Ajuster	18
Trousses de haute altitude	18
Bobine d'allumage – Test/Réglage.....	18
Isolement – Test.....	19
Silencieux – Inspection/Remplacement.....	19
Piston – Inspection/Remplacement	20
Ressort du démarreur manuel – Installation.....	21

Bougie – Vérification.....	22
Pare-étincelles – Inspection/ Nettoyage/Remplacement	23
Bougie d’allumage – Inspection/ Réglage/Remplacement	23
Démarrreur – Remplacement (si nécessaire)	23
Pignon de distribution – Inspection/ Remplacement.....	24
Régulateur de tension – Remplacement	24
Inspection visuelle	24
Enroulements – Test	24
ENTREPOSAGE	25
Entreposage de 1 à 3 mois.....	25
Entreposage de plus de 3 mois	25
SCHÉMAS	26
Système de filtre à air	26
Carburateur	27
Panneau de commande	28
Carter moteur et piston	29
Culasse de cylindre et soupapes.....	30
Volant d’inertie.....	31
Réservoir de carburant	31
Générateur	32
Silencieux	33
Démarrreur manuel.....	33
DÉPANNAGE	34
ANNEXE	38
Caractéristiques du produit.....	38
Caractéristiques d’entretien	39
Schéma électrique du RP5500.....	40
Schéma électrique pour RP6500 E et RP7500 E	41

MESSAGES DE SÉCURITÉ

Plusieurs messages de sécurité spécifiques peuvent être présents sur votre générateur. Familiarisez-vous avec tous les messages de sécurité.

Vérifiez que tous les messages de sécurité sont lisibles. Nettoyez les messages de sécurité ou remplacez-les si les mots deviennent illisibles ou si les illustrations ne sont pas visibles. Utilisez un chiffon, de l'eau et du savon pour nettoyer les messages de sécurité. N'utilisez pas de solvants, d'essence ou d'autres produits chimiques abrasifs. Les solvants, l'essence ou d'autres produits chimiques abrasifs pourraient décoller l'adhésif servant à fixer les messages de sécurité.

Remplacez tout message de sécurité endommagé ou manquant. Si un message de sécurité est fixé sur une pièce du générateur qui doit être remplacée, installez un nouveau message de sécurité sur la pièce de rechange.



Lisez le manuel



AVERTISSEMENT

N'utilisez pas ce générateur et ne travaillez pas dessus avant d'avoir lu et compris l'ensemble des instructions et des avertissements fournis dans le manuel d'utilisation. Le non-respect des instructions ou des avertissements peut provoquer des blessures pouvant entraîner la mort. Vous êtes responsable du bon entretien du produit.



Surface chaude



AVERTISSEMENT

Les pièces chaudes ou les composants chauds peuvent provoquer des brûlures ou des blessures corporelles. Évitez tout contact entre les pièces ou composants chauds et votre peau. Utilisez des vêtements de protection ou un équipement de protection pour protéger votre peau.



AVERTISSEMENT

Le fonctionnement de cet équipement peut créer des étincelles qui peuvent engendrer un incendie de la végétation sèche environnante. Un pare-étincelles peut être nécessaire. L'opérateur devrait communiquer avec les services locaux d'incendie pour connaître les lois et règlements liés à la protection contre les incendies.

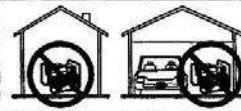


Monoxyde de carbone

⚠ DANGER

Using a generator indoors CAN KILL YOU IN MINUTES.

Generator exhaust contains carbon monoxide. This is a poison you cannot see or smell.



NEVER use inside a home or garage, EVEN IF doors and windows are open.



Only use OUTSIDE and far away from windows, doors, and vents.

⚠ DANGER

Utiliser un générateur à l'intérieur PEUT VOUS TUER EN QUELQUES MINUTES. Les gaz d'échappement du générateur contiennent du monoxyde de carbone. C'est un gaz toxique invisible et inodore.
☒ NE JAMAIS utiliser à l'intérieur d'une maison ou d'un garage, MÊME SI les portes et les fenêtres sont ouvertes.
☒ Utiliser UNIQUEMENT à l'EXTÉRIEUR et loin des fenêtres, portes et ventilations.

⚠ PELIGRO

Si usa un generador en interiores, MORIRÁ EN POCOS MINUTOS. El escape del generador contiene monóxido de carbono. Es un veneno que no tiene olor ni se puede ver.
☒ NUNCA lo use dentro de una casa o garaje. AUN si las puertas y ventanas están abiertas.
☒ Sólo úselo en EXTERIORES y lejos de ventanas, puertas y ductos de ventilación.

Utiliser un générateur à l'intérieur peut vous tuer en quelques minutes. Les gaz d'échappement du générateur contiennent du monoxyde de carbone. C'est un gaz toxique invisible et inodore. N'utilisez jamais le générateur à l'intérieur d'une maison ou d'un garage, même si les portes et les fenêtres sont ouvertes. Utilisez-le uniquement à l'extérieur, et loin des fenêtres, portes et ventilations. Si une personne est prise de vertiges, de maux de tête, de nausée ou se sent fatiguée, transportez-la immédiatement à l'air frais et appelez un médecin.



Électrocution

⚠ DANGER




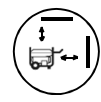
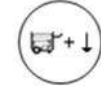
Risque d'électrocution ou de choc électrique : N'utilisez pas ce générateur et ne travaillez pas dessus avant d'avoir lu et compris l'ensemble des instructions et des avertissements fournis dans le manuel d'utilisation. Le non-respect des instructions ou des avertissements peut provoquer de graves blessures pouvant entraîner la mort.

 **AVERTISSEMENT**

Les retours de tension dans le système de distribution de l'alimentation secteur peuvent entraîner des dommages matériels, des blessures graves ou la mort.

Ne connectez le générateur au système électrique d'un bâtiment qu'après avoir utilisé le commutateur principal de l'immeuble pour isoler ce dernier du système d'alimentation secteur. Pour les installations permanentes, le raccordement doit se faire uniquement au moyen d'un commutateur à deux directions, afin d'isoler le bâtiment du système d'alimentation secteur. Consultez un technicien qualifié pour une installation et une utilisation adéquates. Respectez toutes les lois et tous les codes électriques applicables.

Messages supplémentaires

	N'utilisez pas l'appareil dans des conditions humides.
	Ne remplissez pas l'appareil de carburant à proximité de flammes nues. Ne remplissez pas l'appareil de carburant lorsque le moteur est en marche.
	Ne fumez pas lors du réapprovisionnement en carburant.
	Maintenez une distance minimale de 1,5 mètre (5 pieds) avec les autres objets.
	Vérifiez que l'unité est correctement mise à la terre.

Exigences spéciales

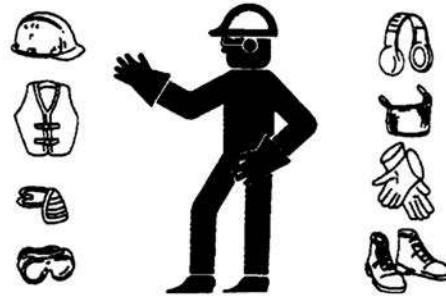
L'appareil électrique (y compris les câbles et les connecteurs) doit être couvert et protégé contre l'humidité.

Les disjoncteurs doivent correspondre aux caractéristiques du générateur. Si les disjoncteurs nécessitent un remplacement, ils doivent être remplacés par des disjoncteurs du même type et disposant des mêmes caractéristiques de performances.

Dans toute installation de groupe électrogène, le châssis du générateur doit être mis à la terre. Une borne de terre est fournie.

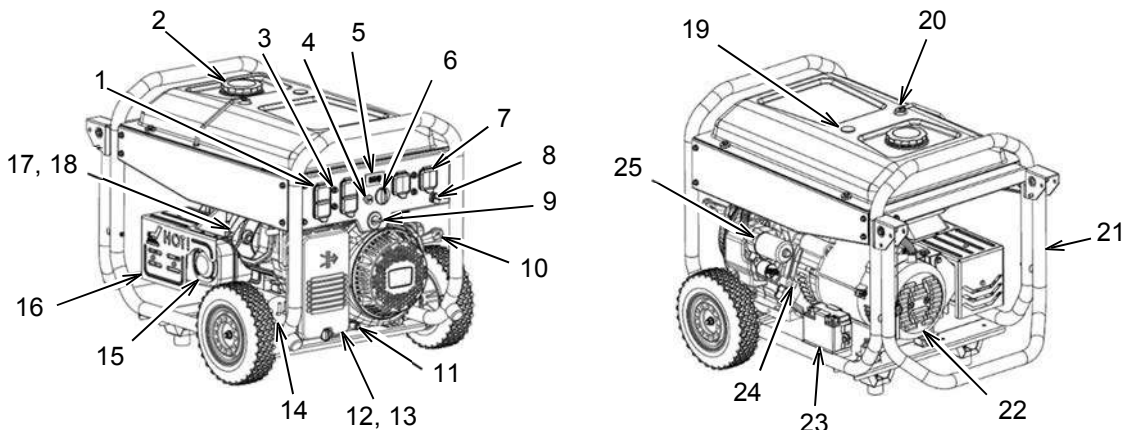
Les modèles RP5500, RP6500 E et RP7500 E possèdent tous un conducteur neutre permanent entre l'enroulement du stator et le châssis.

Pour un fonctionnement sur 120 V c.a., utilisez des rallonges adaptées à 125 V et 20 A ou plus. Pour un fonctionnement sur 240 V c.a., utilisez des rallonges adaptées à 250 V et 30 A ou plus. Utilisez la rallonge la plus courte correspondant à ces exigences.



- Portez un casque, des lunettes de protection et tout autre équipement de protection nécessaire.
- Si les travaux sont effectués à proximité d'un moteur en marche, portez des dispositifs de protection auditive afin d'empêcher tout dommage de l'ouïe.
- Ne portez pas de vêtements amples ou de bijoux qui peuvent s'accrocher sur les commandes ou sur d'autres pièces du moteur.
- Vérifiez que tous les dispositifs de protection et tous les couvercles sont bien fixés sur le moteur.
- Ne mettez jamais les liquides d'entretien dans des récipients en verre. Les récipients en verre peuvent se briser.
- Utilisez toutes les solutions de nettoyage avec soin.

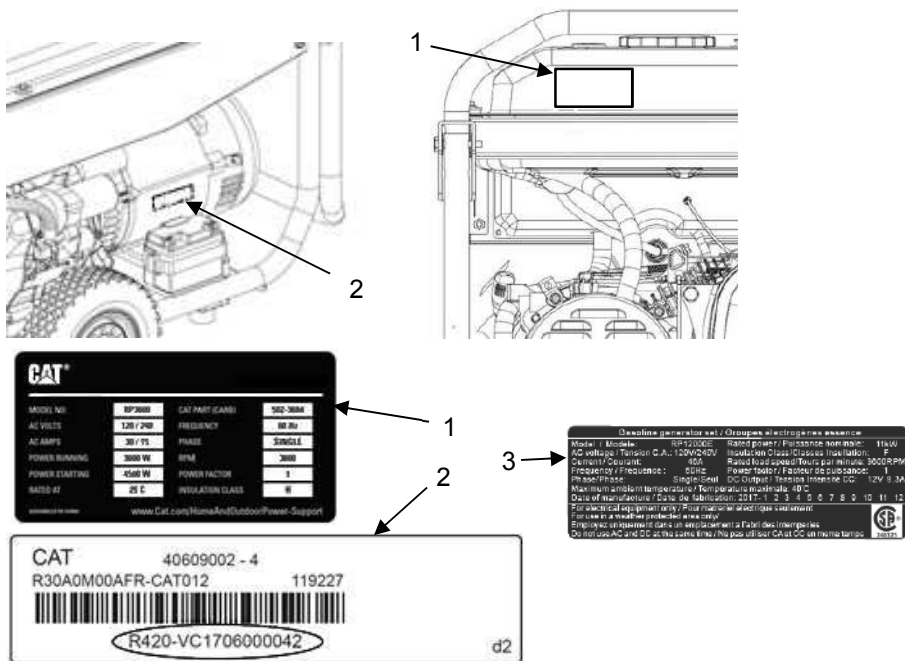
IDENTIFICATION DES COMPOSANTS



- 1) Prise : 120 V c.a. (double)
- 2) Bouchon du réservoir de carburant
- 3) Disjoncteur
- 4) Commande d'étrangleur
- 5) Écran
- 6) Commutateur du générateur
- 7) Prise : 240 V c.a. (verrou rotatif)
- 8) Voyant du panneau
- 9) Soupape de carburant
- 10) Démarreur manuel
- 11) Orifice de vidange d'huile
- 12) Système de filtre à air
- 13) Filtre à air
- 14) Absorbant de vapeurs d'essence
- 15) Pare-étincelles
- 16) Silencieux
- 17) Moteur
- 18) Bougie d'allumage
- 19) Jauge à essence
- 20) Capteur de retournement
- 21) Poignée
- 22) Générateur
- 23) Batterie*
- 24) Jauge d'huile / remplissage d'huile
- 25) Démarreur*

* Ces pièces ne figurent pas sur le RP5500.

Type de moteur et numéro de série



Les générateurs portables Cat® sont identifiés grâce à des numéros de modèle, des numéros de série, ainsi que des valeurs de caractéristiques de performances. Le numéro de modèle et les caractéristiques de performances se trouvent sur la plaque signalétique (1) ou la plaque signalétique CSA (2). Le numéro de série se trouve sur la plaque du numéro de série (3).

ENTRETIEN

Maintenance périodique

Vous trouverez ci-dessous les intervalles correspondants à une maintenance normale du produit. La section Procédures de maintenance et d'entretien contient les procédures à suivre pour une maintenance normale et des procédures d'entretien plus détaillées que l'utilisateur type ne sera peut-être pas en mesure d'effectuer. N'ESSAYEZ PAS d'effectuer des procédures pour lesquelles vous n'êtes pas qualifié.

Assurez-vous que tous les renseignements concernant la sécurité, les avertissements et les instructions sont lus et compris avant d'effectuer des procédures d'exploitation ou de maintenance.

Utilisez le nombre d'heures de fonctionnement ou la date du calendrier, SELON LA PREMIÈRE ÉCHÉANCE, afin de déterminer les intervalles d'entretien corrects.

Arrêtez le moteur avant d'effectuer l'entretien. Placez le moteur en position horizontale et retirez le capuchon de la bougie d'allumage afin d'empêcher le moteur de démarrer. Ne faites jamais tourner le moteur dans une pièce non ventilée ni dans un espace clos.

Lorsque nécessaire :

Bouchon et filtre du réservoir de carburant – Nettoyage

À chaque utilisation :

Niveau d'huile moteur – Vérification
Inspection visuelle

Après les 20 premières heures d'utilisation ou au bout d'un mois :

Huile moteur – Changement

Tous les mois :

Générateur – Inspection

Toutes les 50 heures d'utilisation ou tous les 3 mois :

Filtre à air – Vérification
Pare-étincelles – Inspection/Nettoyage/
Remplacement

Toutes les 100 heures d'utilisation ou tous les 6 mois :

Huile moteur – Changement
Bougie d'allumage – Inspection/Réglage/
Remplacement

Toutes les 300 heures d'utilisation ou tous les ans :

Jeu des soupapes du moteur – Vérification

Tous les 2 ans :

Conduit de carburant – Remplacement

Outils spéciaux

Les outils suivants peuvent être nécessaires pour les procédures d'entretien :

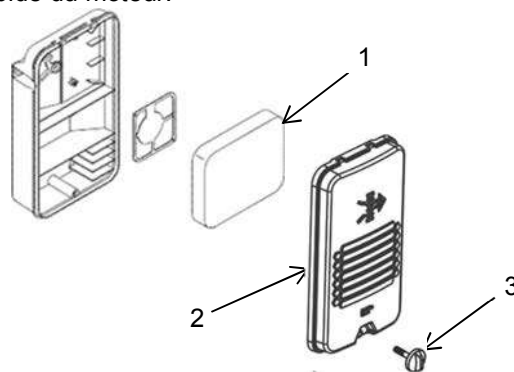
- Entraîneur de roulement
- Extracteur de roulement
- Manomètre à compression
- Entraîneur de volant d'inertie
- Mégohmmètre
- Micromètre
- Multimètre (volts et ohms)
- Entraîneur de piston
- Extracteur de segment de piston
- Collier à segment
- Entraîneur du guide de soupape
- Alésoir pour guide de soupape
- Lame de découpe pour siège de soupape à 32°
- Lame de découpe pour siège de soupape à 45°

PROCÉDURES D'ENTRETIEN ET DE MAINTENANCE

Filtre à air – Vérification

Un filtre à air sale empêche l'air de bien circuler dans le carburateur, augmente la consommation de carburant et peut endommager le moteur. Entretenez régulièrement le filtre à air afin de garder le générateur en bon état de marche. Entretenez plus fréquemment le filtre à air en cas d'utilisation du générateur dans des zones extrêmement poussiéreuses.

Remarque : N'utilisez jamais le générateur si le filtre à air n'est pas en place. Utiliser le générateur sans filtre à air entraîne une usure rapide du moteur.



Retirez le boulon du couvercle du filtre à air (3), puis retirez le couvercle du filtre à air (2). Vérifiez que le filtre à air (1) est propre et non endommagé. Si le filtre à air est sale, lavez-le. Si le filtre à air est endommagé, remplacez-le.

Utilisez un solvant non inflammable ou un mélange de détergent domestique et d'eau chaude pour laver le filtre. Rincez abondamment le filtre afin d'en retirer toute trace de solution de nettoyage. Une fois sec, versez-y quelques gouttes d'huile moteur. Exercez ensuite une pression sur le filtre afin de répartir l'huile sur tout le filtre et d'en éliminer le surplus.

Remarque : N'essorez pas le filtre. Le fait d'essorer le filtre peut l'endommager.

Installez le filtre dans le logement du filtre. Placez le couvercle du filtre à air sur le filtre et réinstallez le boulon du couvercle du filtre à air.

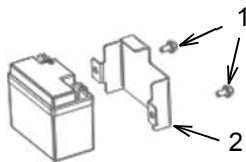
Batterie – Test/Remplacement (le cas échéant)

⚠ DANGER

Risque d'électrocution ou de choc électrique : N'utilisez pas ce générateur et ne travaillez pas dessus avant d'avoir lu et compris l'ensemble des instructions et des avertissements fournis dans le manuel d'utilisation. Le non-respect des instructions ou des avertissements peut provoquer de graves blessures pouvant entraîner la mort.

⚠ AVERTISSEMENT

Ne débranchez jamais le câble d'un dispositif de chargement ou d'une batterie lorsque le dispositif de chargement est en cours de fonctionnement. Une étincelle peut provoquer l'explosion du mélange gazeux inflammable d'hydrogène et d'oxygène qui se libère de l'électrolyte par les connecteurs femelles de la batterie, et blesser le personnel.



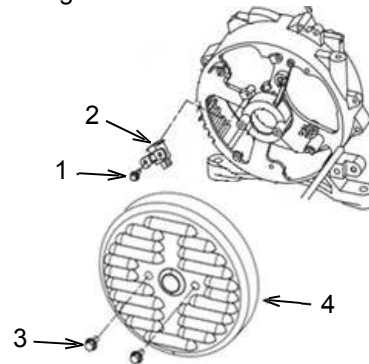
Débranchez le câble négatif de la batterie au niveau de la connexion du harnais et fixez-le pour qu'il ne touche rien. Débranchez le câble positif de la batterie. Utilisez un voltmètre ou un multimètre réglé sur V c.c. pour mesurer la tension de la batterie. Si la batterie fournit moins de 12,4 volts, remplacez-la. Retirez les boulons (1) et la plaque (2). Retirez la batterie et éliminez-la de manière appropriée.

Placez la nouvelle batterie. Installez la plaque (2)

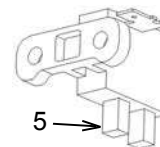
et vissez les boulons (1). Branchez le câble positif de la batterie, puis le câble négatif.

Brosse – Inspection/Réparation/Remplacement

La brosse en carbone se situe derrière le couvercle du générateur.



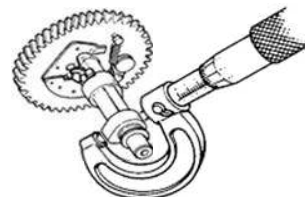
Dévissez les boulons (3), puis retirez le couvercle du moteur (4).



Vérifiez la longueur des brosses (5). Remplacez-la si la longueur est inférieure ou égale à 6 mm. Pour enlever la brosse, retirez les boulons (1) et débranchez les fils. Pour procéder à la réinstallation, branchez le fil rouge à la borne « + » et le fil blanc à la borne « - », puis fixez la nouvelle brosse à l'aide d'un boulon (1).

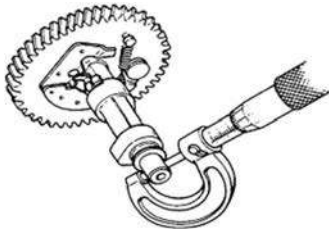
Vérifiez la surface de contact entre la brosse (2) et la bague collectrice. Si la surface en contact est inférieure à 75 % de la surface de la brosse, rectifiez la surface de la brosse. Placez une toile d'émeri entre la brosse et la bague collectrice avec le côté abrasif face à la brosse. Frottez d'avant en arrière contre la brosse jusqu'à ce qu'il y ait plus de 75 % de zone de contact. Ne faites pas simplement tourner le collecteur, car cela peut causer l'apparition d'une charge électrique au niveau des enroulements. Retirez tout débris du générateur avant de remonter les pièces.

Arbre à cames – Inspection/ Remplacement



Vérifiez que l'arbre à cames n'a pas subi de dommages ni d'usure inhabituelle. Mesurez la levée des lobes de l'arbre à cames. Les limites acceptables de levée sont répertoriées dans le tableau ci-dessous. Si la levée est en dehors de la plage acceptable, remplacez l'arbre à cames.

Modèle :	Lobe :	Levée normale :	Levée minimale :
RP5500	Admission	32,063 mm	31,813 mm
	Échappement	31,808 mm	31,558 mm
RP6500E	Admission	32,498 mm	32,198 mm
RP7500E	Échappement	31,985 mm	29,886 mm

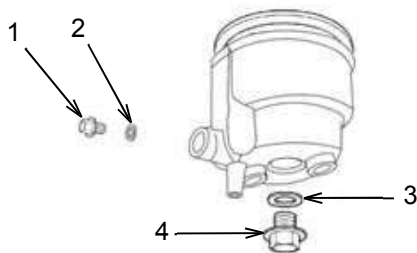


Mesurez le diamètre extérieur de l'arbre à cames. Les limites acceptables de diamètre sont répertoriées dans le tableau ci-dessous. Si le diamètre est en dehors de la plage acceptable, remplacez l'arbre à cames.

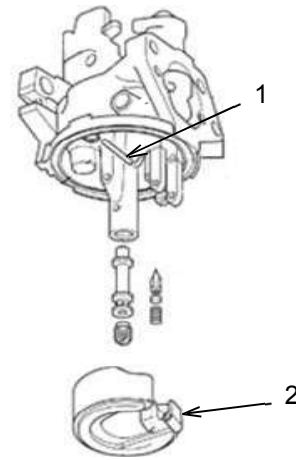
Modèle :	Normal :	Minimum :
RP5500	16,166 mm	16,12 mm
RP6500E RP7500E	15,966 mm	15,92 mm

Carburateur – Inspection/Réglage

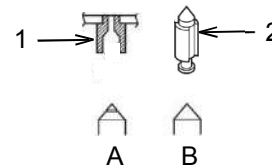
Retirez le système de filtre à air. Retirez le carburateur. Nettoyez la surface extérieure du carburateur avant de procéder au démontage.



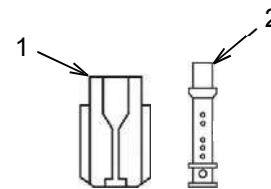
Vidangez le carburant de la cuve à niveau constant en retirant le boulon de vidange (1) et le joint (2). Utilisez un récipient adapté pour récupérer le carburant. Éliminez correctement le carburant. Retirez le boulon (4) et le joint (3). Retirez prudemment la cuve à niveau constant et retenez les petites pièces qui sont susceptibles de tomber.



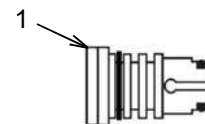
Retirez l'axe de flotteur (1), puis retirez le flotteur (2) précautionneusement en faisant attention aux petites pièces. Nettoyez les pièces internes avec un nettoyant de carburateur et de l'air comprimé.



Vérifiez toute trace d'usure sur le pointeau de carburateur (2) et son siège (1). La figure A montre un pointeau de carburateur usé qui a besoin d'être remplacé. La figure B montre un pointeau de carburateur qui peut être réutilisé.

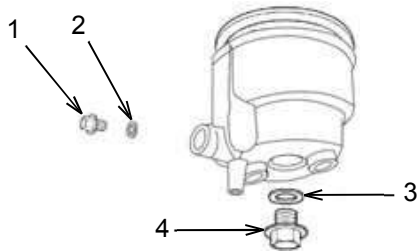


Inspectez le gicleur principal de carburant (1) et l'injecteur principal de carburant (2). Remplacez-les en cas d'usure.



Inspectez le gicleur de ralenti (1). Remplacez la pièce si elle est endommagée. Appliquez une légère couche d'huile sur les joints toriques avant la réinstallation.

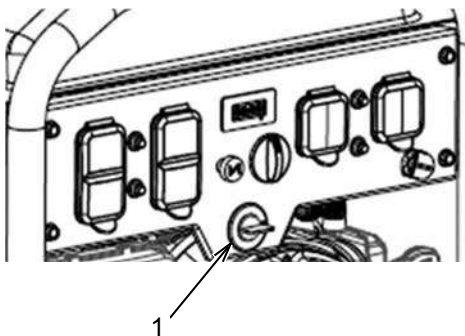
Après avoir réinstallé le flotteur, appuyez légèrement dessus avec le doigt pour vous assurer qu'il bouge librement. Vérifiez que le pointeau de carburateur est simplement en contact avec le siège de soupape et que le ressort n'est pas comprimé.



Installez le bouchon de vidange (1) et le joint (2) dans la cuve. Placez la cuve à niveau constant de façon à ce que le boulon de vidange puisse être accessible depuis l'extérieur de l'unité. Installez le joint (3) et le boulon (4) de façon à maintenir la cuve en place.

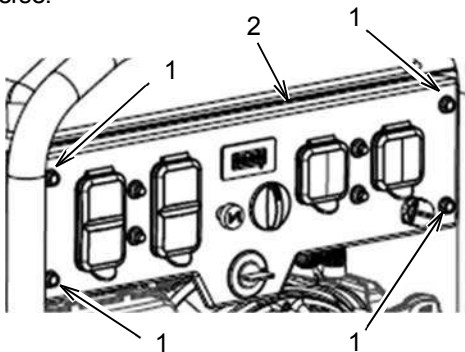
Réinstallez le carburateur. Après avoir démarré l'unité, vérifiez qu'il n'y a pas de fuite.

Panneau de commande – Utilisation

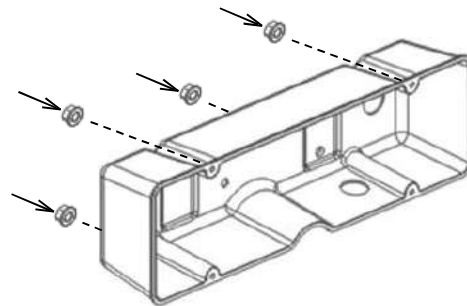


Il est possible d'accéder au robinet de carburant (1) sans retirer le panneau de commande. Pour retirer le robinet de carburant, vidangez le réservoir de carburant dans un récipient adapté. Démarrez le moteur et laissez-le tourner jusqu'à ce qu'il soit à court de carburant. Tournez le commutateur du générateur en position « 0 » (désactivée).

Déplacez les colliers de serrage qui maintiennent la conduite d'alimentation en carburant au robinet vers le centre des conduites de carburant. Retirez les conduites d'alimentation en carburant du robinet. Retirez l'attache de l'arrière de la face avant du panneau de commande. Retirez le robinet de carburant. Remontez les pièces dans l'ordre inverse.

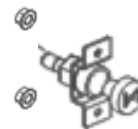


Retirez les boulons (1) et les rondelles. Tirez lentement le panneau de commande (2) vers l'avant. Vérifiez que les câbles peuvent bouger librement et ne sont pas endommagés. Marquez les câbles pour les identifier, puis débranchez les faisceaux de câbles.



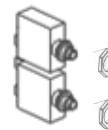
Placez la partie avant du panneau de commande sur une surface qui le protégera de tout dommage. Retirez les quatre écrous de 7 mm de l'arrière du boîtier de commande et séparez soigneusement le boîtier de la partie avant du panneau.

Étrangleur :



La commande de l'étrangleur est fixée à l'arrière du panneau à l'aide d'écrous de 7 mm. Retirez le bouton et le câble de l'étrangleur de la partie avant du panneau, puis retirez les écrous qui fixent l'étrangleur au panneau. Retirez la commande de l'étrangleur de l'arrière du panneau. Remontez les pièces dans l'ordre inverse.

Disjoncteurs :



Chaque disjoncteur est fixé au panneau à l'aide d'un demi-écrou qui se trouve sur la partie avant du panneau. Marquez les câbles pour les identifier, puis débranchez le disjoncteur. Retirez le demi-écrou de la partie avant du panneau, puis retirez le disjoncteur de l'arrière de ce panneau.

Écran :



L'écran est fixé en place à l'aide de colle thermofusible. Débranchez l'écran du faisceau

de câbles et retirez la colle. Retirez l'écran de la partie avant du panneau.

Fusible :

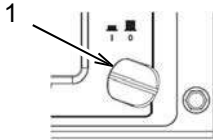
Le commutateur du générateur est équipé d'un fusible de 5 A qui se trouve dans un porte-fusible en ligne.

Commutateur du générateur :



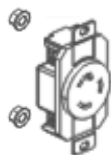
Le commutateur du générateur est fixé au panneau à l'aide d'écrous de 7 mm. Débranchez le câblage, retirez le bouton de la partie avant du panneau et retirez les écrous. Retirez le commutateur du générateur de l'arrière du panneau.

Voyant du panneau :



Le voyant du panneau (1) est fixé au panneau à l'aide de colle thermofusible. Débranchez le voyant du panneau du câblage et retirez la colle. Retirez le voyant du panneau de la partie avant de ce dernier.

Prises et couvercles :



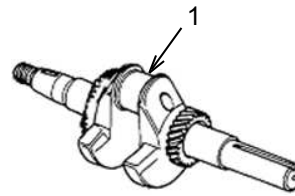
Chaque prise est fixée au panneau à l'aide de deux écrous de 7 mm. Marquez les câbles pour les identifier, puis retirez-les de la prise. Retirez les écrous qui fixent la prise au panneau, puis retirez la prise de l'arrière du panneau. Vous pouvez ensuite retirer le couvercle de la prise de la partie avant du panneau.

Vilebrequin – Inspection/remplacement

Inspectez le joint étanche à l'huile du vilebrequin. Si le joint est endommagé ou si vous remarquez des signes de fuite, remplacez-le.

Inspectez le palier du vilebrequin. Si le palier est entaillé ou s'il montre des signes de décoloration due à une température excessive, remplacez-le.

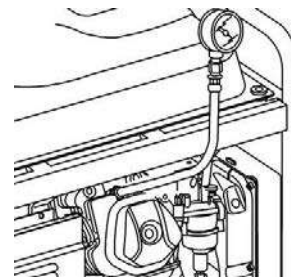
Enduisez le palier d'huile moteur avant de l'installer.



Vérifiez le diamètre de la portée du vilebrequin (1). Un diamètre normal est compris entre 29,975 et 29,991 mm. Si le diamètre est inférieur ou égal à 29,92 mm, remplacez le vilebrequin.

Lorsque vous installez le vilebrequin, insérez-le de manière à ce que le palier touche le carter sans endommager le joint étanche à l'huile.

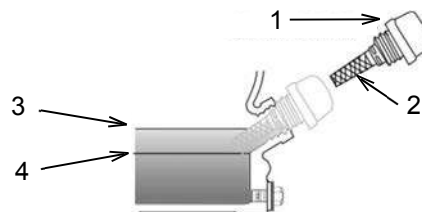
Pression du cylindre – Vérification



- Retirez le capuchon de la bougie d'allumage, puis retirez la bougie d'allumage.
- Branchez le manomètre à compression comme illustré ci-dessus.
- Tirez plusieurs fois sur la poignée du démarreur manuel et notez la pression du cylindre.
- Si la pression du cylindre n'est pas comprise entre 588 et 834 kPa (85 à 121 lb/po²), consultez la section Dépannage.

Niveau d'huile moteur – Vérification

Pour vérifier le niveau d'huile moteur, mettez toujours le générateur sur une surface plane et arrêtez le moteur.



1. Retirez le bouchon de l'orifice de remplissage d'huile (1) et essuyez la jauge de niveau d'huile (2) afin de la nettoyer.
2. Vérifiez le niveau d'huile en insérant la jauge de niveau d'huile dans le col de remplissage. Ne vissez pas le bouchon de l'orifice de

remplissage d'huile lors de la vérification du niveau d'huile.

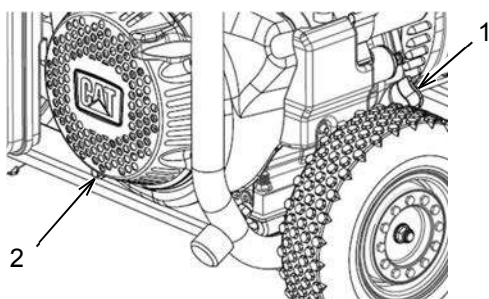
- Si le niveau de l'huile est bas (4), ajoutez l'huile moteur recommandée jusqu'à ce que ce niveau atteigne la marque supérieure (3). Utilisez le tableau ci-dessous afin de déterminer la viscosité de l'huile à utiliser.

Viscosité recommandée à température ambiante				
Viscosité de l'huile	°C		°F	
	Min.	Max.	Min.	Max.
SAE 0W-40	-40	40	-40	104
SAE 5W-40	-30	50	-22	122
SAE 10W-30	-18	40	0	104
SAE 15W-40	-10	50	14	122

- Après avoir ajouté de l'huile, remettez le bouchon de l'orifice de remplissage d'huile et serrez-le.

Remarque : Les huiles non détergentes ou pour moteur à 2 temps risquent d'endommager le moteur et ne doivent pas être utilisées.

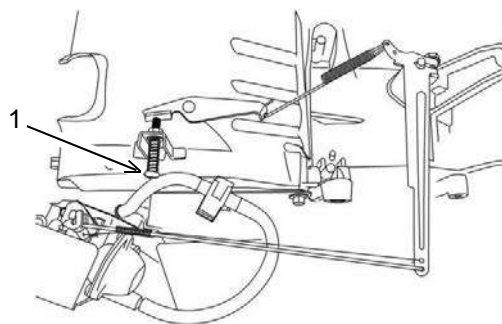
Huile moteur – Changement



- Faites tourner le moteur jusqu'à ce qu'il atteigne une température de fonctionnement normale. puis éteignez-le.
- Retirez le bouchon de l'orifice de remplissage d'huile (1) et le bouchon de vidange (2) pour vidanger l'huile. Vidangez l'huile dans un récipient adapté.
- Repositionnez le bouchon de vidange, puis serrez à 18 ± 2 Nm (13 ± 2 lb pi).
- Remplissez le réservoir d'huile et vérifiez le niveau. Consultez la section « Niveau d'huile moteur – Vérification ».
- Remettez le bouchon de l'orifice de remplissage d'huile et serrez-le.
- Éliminez correctement l'huile usée.

Régime du moteur – Réglage

Démarrez le moteur et laissez-le atteindre sa température normale de fonctionnement.

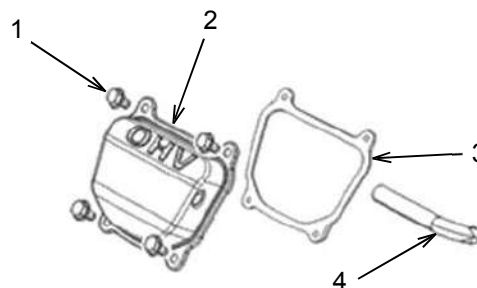


Le régime maximal de ce moteur est de 3 730 à 3 830 tr/min. Faites tourner la vis de réglage (1) dans le sens horaire pour augmenter le régime. Faites tourner la vis de réglage dans le sens anti-horaire pour diminuer le régime.

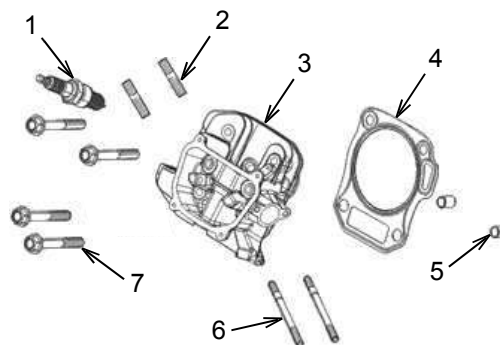
Si ces manipulations ne permettent pas de régler le régime du moteur dans la plage mentionnée, consultez la section Régulateur – Réglage.

Soupape du moteur – Inspection/remplacement

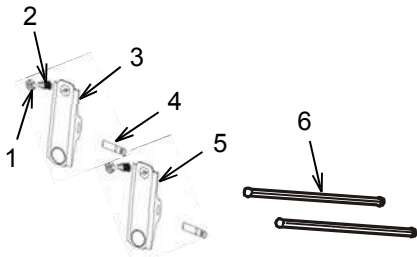
Retirez le silencieux, le système de filtre à air, le démarreur manuel, le carénage, le carburateur et l'isolant.



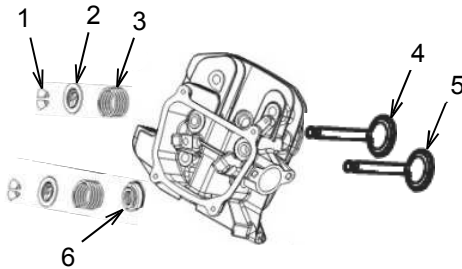
Retirez les boulons du couvercle de la soupape (1), le tube du reniflard (4), le couvercle de la soupape (2) et la rondelle du couvercle de la soupape (3).



Retirez la bougie d'allumage (1). Dévissez les boulons de la culasse (7), puis retirez la culasse (3). Retirez la rondelle de la culasse (4) et jetez la rondelle usée. Retirez les pions de centrage (5) et mettez-les de côté. Pour cette procédure, les goujons (2) et (6) peuvent rester dans la culasse.

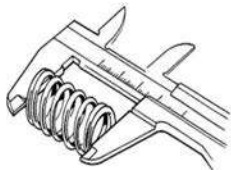


Retirez l'écrou de verrouillage (1) et l'écrou de réglage (2). Retirez la goupille (4), puis retirez le culbuteur de la soupape d'échappement (3). Répétez le processus pour le culbuteur de la soupape d'admission (5). Vérifiez d'éventuelles traces d'usure sur les culbuteurs. Remplacez la pièce si elle est endommagée. Retirez les tiges de culbuteur (6). Inspectez les tiges de culbuteur. Vérifiez qu'elles sont droites et ne sont pas marquées. Vérifiez si les bouts des tiges de culbuteur sont usés. Remplacez toute tige de culbuteur usée ou endommagée.



Remarque : Ne retirez pas les bagues d'arrêt (2) tant que la culasse est encore sur le moteur pour éviter que les soupapes glissent dans le cylindre. Retirez les rotateurs de soupape (1). Appuyez sur la bague d'arrêt (2) et déplacez-la vers le côté pour que la tige de soupape puisse passer par le trou plus large. Retirez le ressort de soupape (3) et la soupape d'échappement (4). Répétez le processus pour la soupape d'admission (5) et sa bague d'arrêt (6).

Ressorts de soupape :



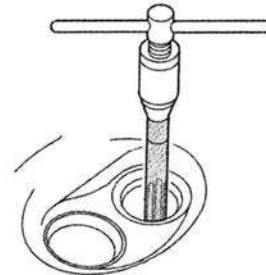
Vérifiez la longueur libre du ressort de soupape. La longueur normale est de 37,5 mm. Si la longueur libre de la rondelle est inférieure ou égale à 37,5 mm, remplacez-la.

Modèle :	Normal :	Minimum :
RP5500	37,5 mm	36 mm
RP6500E RP7500E	37,5 mm	36,5 mm

Guides de soupape :

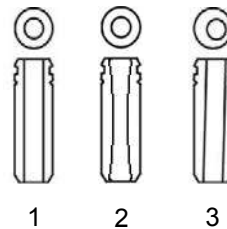
Inspectez les guides de soupape. Vérifiez qu'ils sont bien ajustés dans la culasse. Inspectez les surfaces internes des guides de soupape. La surface interne doit être lisse, sans fissure ni trou. Si la surface interne est endommagée, remplacez le guide de soupape.

Guides de soupape – Alésage :



Pour de meilleurs résultats, effectuez cette procédure lorsque les guides de soupape et la culasse sont à la température ambiante.

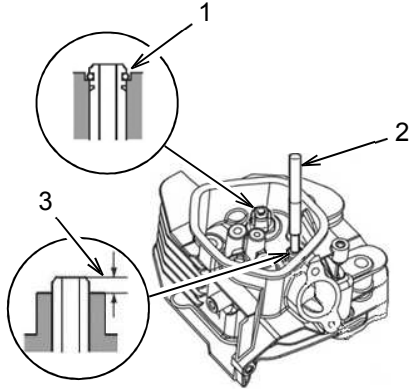
Vérifiez que l'alésoir est centré sur le guide de soupape. Enduisez l'alésoir et le guide de soupape d'huile de découpe. Faites tourner l'alésoir dans le sens horaire, sur toute sa longueur, à travers le guide de soupape. Continuez à le faire tourner dans le sens horaire pendant que vous le retirez du guide de soupape. Retirez tout dépôt de carbone et vérifiez le diamètre interne du guide de soupape. Le diamètre normal du guide de soupape est de 5,50 mm. Remplacez-le ou installez des inserts si ce diamètre est supérieur ou égal à 5,572 mm.



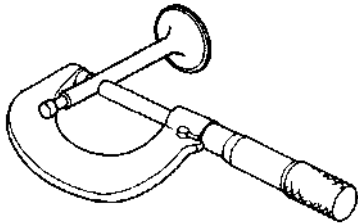
Vérifiez l'alésage du guide de soupape. Insérez la soupape et vérifiez qu'elle bouge facilement à travers l'orifice sans aucune oscillation. La figure 1 illustre un bon guide de soupape. La figure 2 illustre un guide anormalement usé qui entraîne l'oscillation de la soupape. À terme, la culasse peut se briser et tomber dans la chambre de combustion, endommageant le moteur. Ce guide de soupape doit être alésé ou remplacé. La figure 3 illustre un guide de soupape dont l'orifice n'est pas centré. Ce guide de soupape doit être remplacé.

Guides de soupape – Remplacement :

Placez les nouveaux guides de soupape dans le compartiment congélateur de votre réfrigérateur pendant une heure. Utilisez un entraîneur de guide de soupape pour faire sortir les anciens guides de soupape. Veillez à ne pas endommager la culasse lors de cette manipulation.



Installez les nouveaux guides de soupape du côté du ressort de soupape de la culasse. Utilisez l'entraîneur de guide de soupape (2) pour faire entrer le guide de soupape d'échappement jusqu'à ce que la pince soit entièrement installée (1). Enfoncez le guide de soupape d'admission jusqu'à ce que sa partie supérieure ne dépasse la culasse que de 1 mm (3). Après l'installation, vérifiez toute trace de dommages sur chaque valve. Le cas échéant, répétez le processus de retrait et d'installation en utilisant un nouveau guide de soupape.



Utilisez un micromètre pour mesurer le diamètre externe de la tige de la soupape. Reportez-vous au tableau suivant.

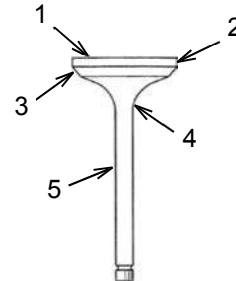
Modèle :	Soupape :	Normal :	Minimum :
RP5500	Admission :	5,468 m m	5,318 mm
	Échappement :	5,425 m m	5,275 mm
RP6500E	Admission :	5,48 mm	5,318 mm
RP7500E	Échappement :	5,44 mm	5,275 mm

Remplacez la soupape si son diamètre est inférieur ou égal au minimum requis.

Soustrayez le diamètre de la tige de soupape à celui de l'alésage interne du guide de soupape pour calculer le jeu entre la tige et le guide. Si le jeu dépasse le maximum illustré dans le tableau suivant, déterminez si la meilleure option pour que ce jeu redescende dans l'intervalle accepté est un nouveau guide ou une nouvelle soupape.

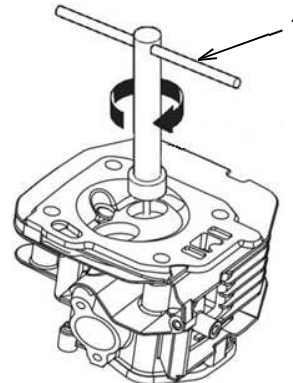
Soupape :	Normal :	Maximum :
Admission :	0,02 à 0,044 mm	0,10 mm
Échappement :	0,06 à 0,087 mm	0,12 mm

Soupapes :



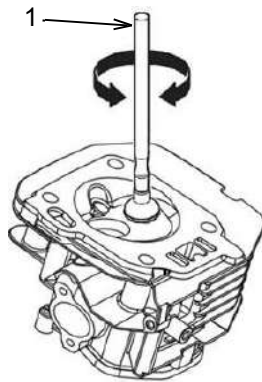
Vérifiez si les soupapes sont usées. Vérifiez si la culasse (1), le bord de la soupape (2) et le collet de la soupape (3) sont endommagés ou comportent des surfaces brûlées. Vérifiez si le col de la soupape (4) est anormalement usé. Vérifiez si la tige de soupape comporte des usures, des rainures ou des courbures. En cas de dommage, remplacez la soupape.

Retirez tout dépôt de carbone des sièges de soupape. Utilisez une jauge d'excentricité pour mesurer la concentricité du siège. Éventuellement, appliquez une fine couche d'enduit à marquer sur le collet de la soupape, puis insérez cette dernière dans la culasse. Appuyez fermement sur la soupape, puis retirez-la. Vérifiez la présence de traces de peinture indiquant que le siège de soupape n'est pas concentrique. Retirez l'enduit à marquer de toutes les surfaces.



Si l'enduit à marquer montre que le siège de soupape n'est pas concentrique, utilisez une

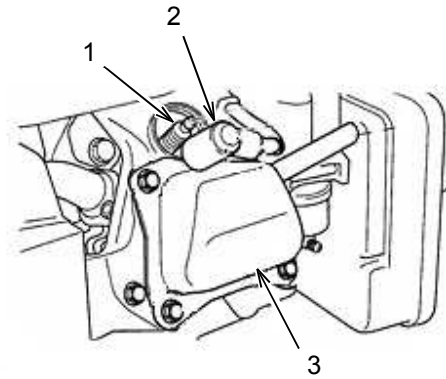
lame de découpe pour siège de soupape à 45° (1) pour créer un siège lisse et concentrique. Faites toujours tourner la lame de découpe dans le sens horaire. Utilisez une lame de découpe pour siège de soupape à 45° et une autre à 32° pour ajuster le siège de soupape afin qu'il soit en contact avec le centre du collet de la soupape. La lame de découpe pour siège de soupape à 32° retire du matériau sur le sommet du siège. Celle pour siège de soupape à 45° retire du matériau de la partie inférieure du siège. Assurez-vous que la surface de contact entre la soupape et le siège est d'une largeur comprise entre 0,8 et 2,0 mm à la fin du processus. Pour terminer la procédure, effectuez un passage léger avec la lame de découpe pour siège de soupape à 45° pour retirer toute bavure possible sur le bord du siège. Lorsque vous avez fini, utilisez un enduit à marquer pour vérifier la concentricité. Vérifiez que le contact autour de la soupape est parfait de tous les côtés.



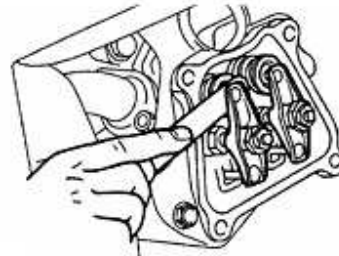
Appliquez une poudre abrasive de rodage sur le collet de soupape et insérez la soupape dans la culasse. Utilisez un rodoir (1) pour lisser la surface de la soupape et du siège. Retirez toute trace restante de poudre abrasive avant d'assembler la culasse. Vérifiez que les tiges de culbuteur sont fermement installées dans les poussoirs. Après l'assemblage, suivez les sections Jeu des soupapes du moteur – Réglage et Pression du cylindre – Vérification des procédures pour garantir un assemblage correct.

Jeu des soupapes du moteur – Réglage

Le fonctionnement du moteur avec un réglage de soupape incorrect peut réduire l'efficacité du moteur. Cette efficacité réduite peut aboutir à une consommation excessive en carburant et/ou une durée de vie réduite des composants du moteur.



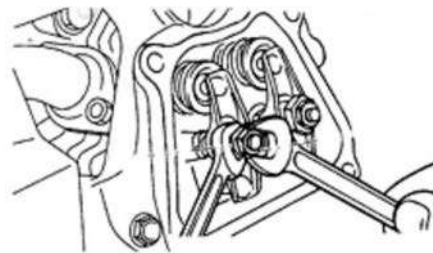
Retirez le capuchon de la bougie d'allumage (2), la bougie d'allumage (1), le couvercle de la soupape (3) et le joint du couvercle de la soupape. Tirez légèrement sur le démarreur manuel jusqu'à ce que le piston soit au point mort haut.



Mesurez le jeu de la soupape à l'aide d'une jauge d'épaisseur. Consultez le tableau suivant.

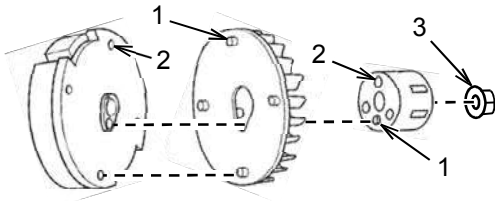
Jeu de la soupape	
Admission	0,05 ± 0,02 mm
Échappement	0,05 ± 0,02 mm

Si le jeu se trouve hors de la marge de tolérance, réglez-le comme suit :



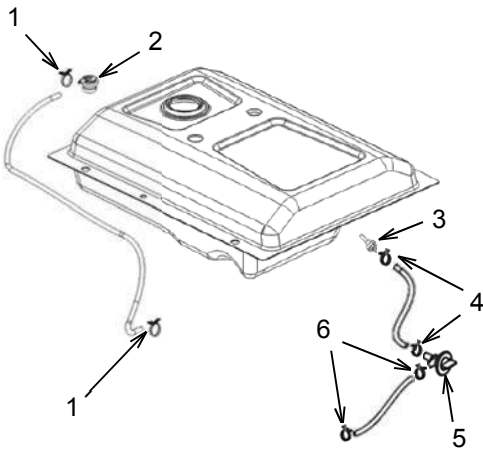
Desserrez l'écrou de verrouillage. Tournez l'écrou de réglage dans le sens des aiguilles d'une montre pour réduire l'écart. Tournez l'écrou de réglage dans le sens inverse des aiguilles d'une montre pour augmenter l'écart. Quand le jeu de la soupape se trouve dans la marge de la tolérance, resserrez l'écrou de verrouillage à 8 ± 1 N m (6 ± 1 lb pi). Réinstallez le joint du couvercle de la soupape et le couvercle de la soupape. Vérifiez que la rondelle de la bougie est en bon état de fonctionnement. Si la rondelle est endommagée, remplacez-la. Installez la bougie d'allumage et serrez-la à 22 ± 2 N m (16 ± 2 lb pi). Ne serrez PAS trop, car cela peut endommager le moteur. Installez le capuchon de la bougie d'allumage.

Volant d'inertie – Installation



Alignez les goupilles de positionnement (1) de la coupelle de démarreur et des deux côtés de la roue à ailettes sur les trous (2) de la coupelle de démarreur et du volant d'inertie. Placez le système sur le vilebrequin. Fixez le système sur le vilebrequin à l'aide d'un écrou (3). Serrez l'écrou à 95 ± 4 N m (70 ± 3 lb pi).

Conduite d'alimentation en carburant et filtre à carburant – Remplacement



Vidangez le réservoir de carburant dans un récipient adapté. Démarrez le moteur et laissez-le tourner jusqu'à ce qu'il soit à court de carburant. Tournez le commutateur du générateur en position « 0 » (désactivée).

Déplacez les colliers (1) vers le centre de la conduite d'alimentation en carburant. Retirez la conduite d'alimentation en carburant du capteur de retournement (2) et du boîtier du filtre à air.

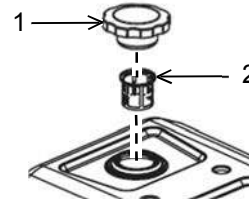
Déplacez les colliers (4) vers le centre de la conduite d'alimentation en carburant. Retirez la conduite d'alimentation en carburant du filtre à carburant (3) et du robinet de carburant (5). Retirez le filtre à carburant. Essuyez la surface de montage avec un chiffon propre et installez un nouveau filtre à carburant. Serrez le filtre à carburant à 3 à 4 N m (27 à 35 lb po).

Déplacez les colliers (6) vers le centre de la conduite d'alimentation en carburant. Retirez la conduite d'alimentation en carburant du robinet de carburant et du carburateur.

Mesurez la longueur des anciennes conduites d'alimentation en carburant et coupez de nouvelles

pièces de la même longueur. Inspectez les colliers. Si les colliers sont endommagés, jetez-les et remplacez-les par des nouveaux. Placez les deux colliers près du centre de chaque nouvelle conduite d'alimentation en carburant avant d'installer celle-ci. Placez les colliers de façon à ce qu'ils maintiennent solidement la conduite d'alimentation en carburant.

Bouchon et filtre du réservoir de carburant – Nettoyage



Essayez le bouchon du réservoir de carburant (1) et la zone qui l'entoure avant de le retirer. Le fait d'essuyer le bouchon du réservoir de carburant et la zone qui l'entoure avant de le retirer permet de réduire la quantité de contaminants pouvant se retrouver dans le système de carburant.

Vérifiez le bouchon du réservoir de carburant. Assurez-vous que la ventilation n'est pas obstruée. En cas d'obstruction, utilisez de l'air comprimé pour la dégager.

Si une accumulation de débris est présente dans le filtre à carburant (2), retirez le filtre et rincez-le. Laissez le filtre sécher avant de l'installer. Si le filtre est endommagé, remplacez-le.

Générateur – Inspection

Une fois par mois, démarrez le moteur et laissez-le tourner jusqu'à ce qu'il atteigne une température de fonctionnement normale (environ 20 minutes). Branchez un appareil électrique câblé et allumez-le pour vérifier que le générateur fournit de l'électricité. Après avoir vérifié que le générateur fournit de l'électricité, éteignez l'appareil et débranchez-le. Éteignez ensuite le générateur.

Générateur - Court-circuitage pendant le fonctionnement

Sous certaines conditions, le générateur peut perdre le magnétisme résiduel dont il a besoin pour l'excitation. Si c'est le cas, vous pouvez charger le champ d'excitation en procédant comme suit :

1. Démarrer le groupe électrogène
2. Branchez une perceuse à cordon dans l'une des prises 120 V CA
3. Appuyez sur la gâchette de la perceuse, faites pivoter le mandrin vers l'arrière et relâchez immédiatement la gâchette.
4. Appuyez sur la gâchette de la perceuse pour voir si cela fonctionne.

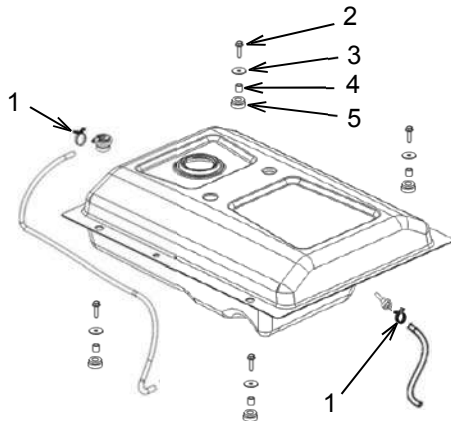
vous devrez peut-être répéter les étapes 3 et 4 plusieurs fois

Si le générateur ne fournit toujours pas d'énergie, reportez-vous à la section Dépannage de ce manuel.

Gouverneur - Ajuster

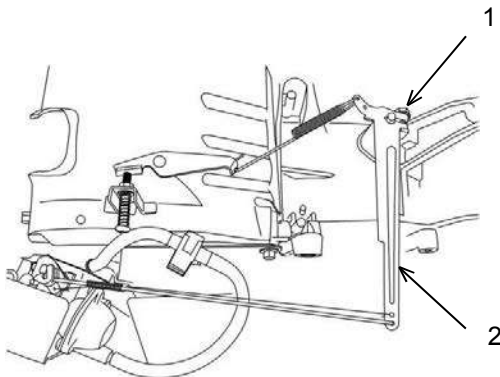
Si le régime maximal du moteur ne peut pas atteindre la plage adaptée avec la procédure Régime du moteur – Réglage, il est possible que le régulateur nécessite un réglage. Pour cela, vous devez retirer le réservoir de carburant et le panneau de commande.

Vidangez le réservoir de carburant dans un récipient adapté. Démarrez le moteur et laissez-le tourner jusqu'à ce qu'il soit à court de carburant. Tournez le commutateur du générateur en position « 0 » (désactivée).



Retirez les colliers de serrage (1) et les conduites d'alimentation en carburant du capteur de retournement et du filtre à carburant. Retirez les quatre boulons (2), les rondelles (3), les bagues (4) et les manchons (5). Soulevez le réservoir de carburant.

Retirez le panneau de commande selon les instructions données dans la section Panneau de commande – Entretien.



- Desserrez l'écrou (1).
- Assurez-vous que le papillon du carburateur est complètement ouvert.
- Tournez l'axe du régulateur (2) au maximum vers la droite.
- Serrez l'écrou (1).
- Assurez-vous que le bras du régulateur et le papillon bougent librement.
- Réinstallez le panneau de commande.
- Réinstallez le réservoir de carburant.
- Démarrez le moteur et vérifiez le régime maximal du moteur.

S'il ne se trouve pas dans la plage, recommencez la procédure Régime du moteur – Réglage.

Trousses de haute altitude

À des altitudes plus élevées, le mélange air/carburant standard est trop riche et peut provoquer une baisse des performances ainsi qu'une augmentation de la consommation de carburant. Un mélange trop riche peut également salir la bougie d'allumage et rendre le démarrage difficile. L'utilisation prolongée à de hautes altitudes peut provoquer une hausse des émissions.

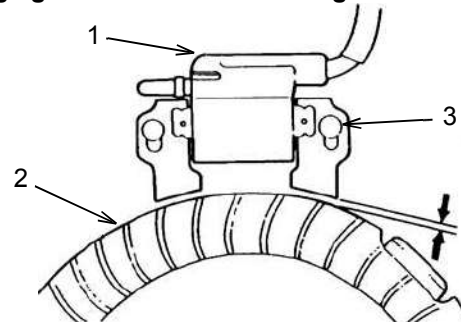
L'installation d'une trousse de haute altitude lorsque nécessaire permet d'assurer un bon fonctionnement. Une trousse de haute altitude comporte un gicleur principal de carburant de diamètre plus petit ainsi qu'un réglage de la vis pilote. Consultez la section Carburateur – Inspection/Réglage pour connaître les instructions de remplacement du gicleur principal de carburant.

Remarque : À des altitudes supérieures à 2 400 m (8 000 pieds) au-dessus du niveau de la mer, le moteur peut subir une baisse de performances même si une trousse de haute altitude est installée.

Bobine d'allumage – Test/Réglage

Vidangez le carburant du réservoir et du carburateur. Retirez le réservoir de carburant, l'épurateur d'air, le carburateur et le démarreur manuel.

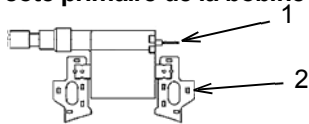
Réglage de la bobine d'allumage :



Utilisez une jauge d'épaisseur pour mesurer le jeu entre la bobine d'allumage (1) et le volant

d'inertie (2). Pour le modèle RP5500, le jeu doit être compris entre 0,2 et 0,6 mm. Pour les modèles RP6500E et RP7500E, le jeu doit être compris entre 0,4 et 0,6 mm. Si le jeu se trouve hors de la plage acceptable, desserrez les vis (3) et réglez la bobine pour que le jeu soit dans la plage. Resserrez les vis.

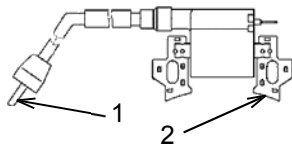
Testez le côté primaire de la bobine d'allumage :



Mesurez la résistance de la bobine primaire en connectant un fil d'un ohmmètre à la borne primaire (1) et en connectant l'autre fil au châssis métallique (2). Pour le modèle RP5500, la résistance doit être comprise entre 0,6 et 0,9 Ω . Pour les modèles RP6500E et RP7500E, la résistance doit être comprise entre 0,8 et 1 Ω . Si la résistance est en dehors de la plage adaptée, remplacez la bobine.

Testez le côté secondaire de la bobine d'allumage :

Retirez le capuchon de la bougie d'allumage du câble de bougie, en faisant attention à ne pas endommager les filetages.



Mesurez la résistance de la bobine secondaire en connectant un fil d'un ohmmètre au câble de bougie (1) et en connectant l'autre fil au châssis métallique (2). Pour le modèle RP5500, la résistance doit être comprise entre 5,6 et 6,6 Ω . Pour les modèles RP6500E et RP7500E, la résistance doit être comprise entre 5,9 et 7,1 Ω . Si la résistance est en dehors de la plage adaptée, remplacez la bobine.

Mesurez la résistance du capuchon de la bougie d'allumage en connectant un fil d'un ohmmètre du côté du câble du capuchon et l'autre fil du côté de la bougie d'allumage du capuchon. Pour le modèle RP5500, la résistance doit être comprise entre 7,5 et 12,5 k Ω . Pour les modèles RP6500E et RP7500E, la résistance doit être de 5 k Ω . Si la résistance est en dehors de la plage adaptée, remplacez le capuchon de la bougie d'allumage.

Isolement – Test

Utilisez un mégohmmètre pour vérifier la résistance d'isolement de l'enroulement du stator dans les cas suivants :

- Le générateur est retiré du lieu de stockage.

- Le générateur fonctionne dans un environnement humide.
- Le générateur n'est pas protégé contre les éléments.
- Le générateur n'a pas fonctionné sous charge pendant au moins trois mois.

Enroulement par rapport à la terre :

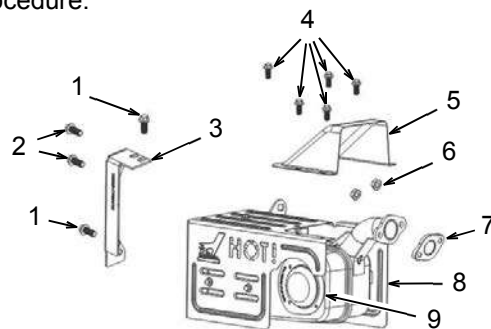
Connectez l'une des bornes du mégohmmètre à l'enroulement à tester et l'autre borne à la terre. Une fois la mesure stabilisée, le chiffre indiqué désigne la valeur de la résistance de l'isolement des enroulements et par rapport à la terre. La valeur doit être très élevée. Si ce n'est pas le cas ou si la valeur est significativement inférieure à celle de la précédente mesure, remplacez le générateur.

Bague collectrice par rapport à la terre :

Connectez l'une des bornes du mégohmmètre à l'une des bagues en cuivre du collecteur et l'autre borne à la terre. Une fois la mesure stabilisée, le chiffre indiqué désigne la valeur de la résistance de l'isolement des enroulements et par rapport à la terre. La valeur doit être très élevée. Si ce n'est pas le cas ou si la valeur est significativement inférieure à celle de la précédente mesure, remplacez le générateur.

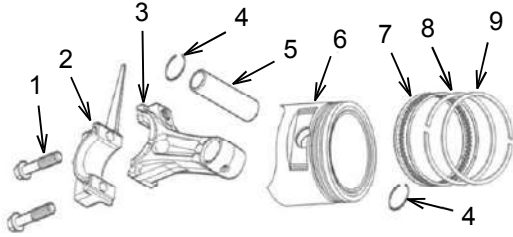
Silencieux – Inspection/Remplacement

Laissez l'unité refroidir avant d'effectuer cette procédure.



Dévissez les boulons (1) et (2), puis retirez le support (3). Dévissez les boulons (4), puis retirez le couvercle (5). Retirez les écrous (6) et soulevez le silencieux (8) des goujons de montage. Jetez le joint usagé (7). Il n'est pas recommandé de retirer le couvercle du silencieux. Réinstallez en suivant l'ordre inverse et en utilisant un nouveau joint (7). Pour l'entretien du pare-étincelles, consultez la section Pare-étincelles – Inspection/Nettoyage/Remplacement.

Piston – Inspection/Remplacement

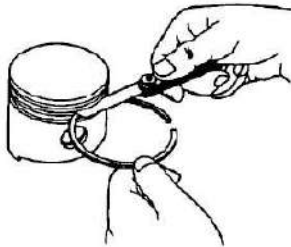


Retirez les boulons de la bielle (1) et le chapeau de tête de bielle (2). Poussez la bielle et le piston hors du bloc. Enlevez tout dépôt de carbone. Inspectez l'alésage du cylindre. Si les parois du cylindre sont endommagées, remplacez le carter de moteur. Utilisez un extracteur de bague de piston pour retirer les bagues de piston (7), (8) et (9). Vérifiez les bagues. Remplacez-les si elles sont endommagées ou usées. Retirez les attaches de l'axe du piston (4) et l'axe du piston (5). Mesurez le diamètre intérieur de l'alésage de l'axe du piston. Mesurez le diamètre extérieur de l'axe du piston. Si la différence est d'au moins 0,08 mm, remplacez la pièce usée. Vérifiez l'absence de brûlures et de fissures sur le haut du piston (6). Vérifiez l'absence de dommages sur les rainures des bagues du piston. En cas de dommages ou d'usure, remplacez le piston. Prenez la mesure de la jupe du piston et comparez-la au tableau suivant.

Modèle :	Normal :	Minimum :
RP5500	79,985 mm	79,85 mm
RP6500E RP7500E	89,985 mm	89,975 mm

Si la mesure est inférieure à la valeur minimale du tableau, remplacez le piston. Placez le piston dans le cylindre et mesurez le jeu entre le piston et les parois du cylindre en insérant une jauge d'épaisseur. Si le jeu est d'au moins 0,12 mm, remplacez le piston.

Mesurez le jeu de la bague, comme illustré. Pour le modèle RP5500, le jeu normal doit être compris entre 0,015 et 0,045 mm. Pour les modèles



RP6500E et RP7500E, le jeu normal doit être compris entre 0,030 et 0,060 mm. Si le jeu est d'au moins 0,15 mm, remplacez le piston.

Placez la bague de graissage sur le piston et insérez le piston dans le cylindre. Mesurez le jeu à la coupe de la bague de graissage. Les valeurs normales sont indiquées dans le tableau ci-dessous. Si le jeu à la coupe est d'au moins 1 mm, remplacez la bague de graissage. Si le jeu à la coupe est inférieur à 0,20 mm, utilisez une lime aiguisée pour élargir l'écartement. Veillez à ne pas laisser de bords tranchants.

Coupe du segment		
Modèle :	Segment de feu/ Deuxième segment :	Bague de graissage :
RP5500	0,20 à 0,35 mm	0,20 à 0,70 mm
RP6500E RP7500E	0,20 à 0,40 mm	0,15 à 0,35 mm

Placez le deuxième segment sur le piston et insérez le piston dans le cylindre. Mesurez le jeu à la coupe de la bague. Les valeurs normales sont indiquées dans le tableau ci-dessus. Si le jeu à la coupe est d'au moins 1 mm, remplacez la bague de graissage. Si le jeu à la coupe est inférieur à 0,20 mm, utilisez une lime aiguisée pour élargir l'écartement. Veillez à ne pas laisser de bords tranchants. Recommencez cette procédure pour le segment de feu.

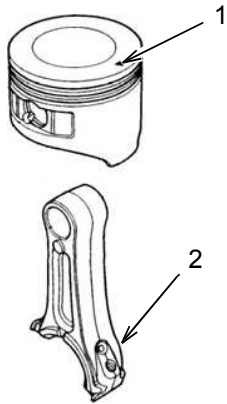
Bielle :

Inspectez la bielle. Si la bielle est courbée ou fissurée, remplacez-la. Mesurez le diamètre intérieur de l'extrémité pour l'axe. Installez le chapeau de tête de bielle et mesurez le diamètre intérieur de l'extrémité pour la manivelle. Les diamètres normaux et les limites d'utilisation sont indiqués dans le tableau ci-dessous. Si le diamètre est égal ou supérieur à la valeur maximale, remplacez la bielle.

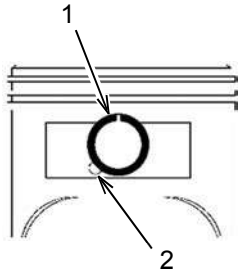
Diamètres intérieurs des extrémités de bielle		
Côté axe :		
Modèle :	Normal :	Maximum :
RP5500	15,011 mm	15,07 mm
RP6500E RP7500E	20,005 mm	20,07 mm
Côté manivelle :		
RP5500	33,02 mm	33,07 mm
RP6500E RP7500E	36,025 mm	36,07 mm

Installation :

La tête de piston comporte une marque triangulaire pour faciliter l'assemblage.

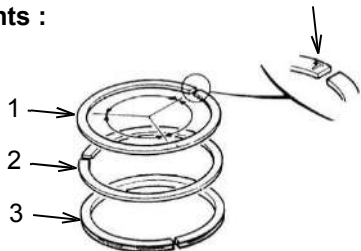


Placez la bielle dans le piston de façon à ce que son côté le plus long (2) soit aligné sur la marque de la tête de piston (1). Insérez l'axe de piston à travers un côté du piston, à travers la bielle, puis à travers l'autre côté du piston.



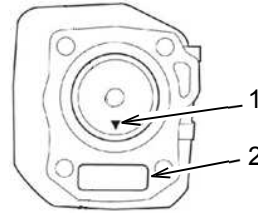
Installez l'attache de l'axe du piston (1) dans la gorge du côté du piston. Utilisez une pince à long bec pour faire pivoter l'attache. N'alignez pas l'écart avec la découpe (2). Répétez l'opération de l'autre côté.

Segments :



Les segments de piston comportent une marque à côté de la coupe. Utilisez un dispositif de tirage de bague pour installer les segments de telle sorte que la marque soit tournée vers le haut du piston. Assurez-vous que les segments sont installés dans les gorges appropriées : le segment racleur (3) doit être dans la gorge la plus basse, le deuxième segment (2) dans la gorge centrale et le segment de feu (1) dans la gorge la plus proche de la tête du piston. Le segment de feu est chromé. Vérifiez que les

segments peuvent bouger librement dans la rainure du piston. Décalez les extrémités des segments afin qu'elles soient espacées de 120°, comme le montre le dessin.



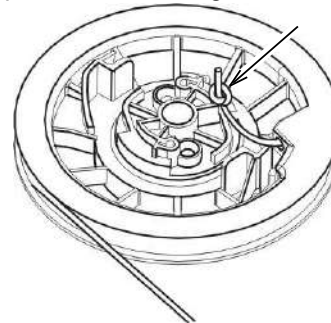
Enduire le piston, les segments et la paroi du cylindre d'huile moteur. Enfoncez les segments à l'aide d'un collier à segment et insérez le piston dans le cylindre. Vérifiez que la marque sur la tête du piston (1) s'aligne avec la marque du poussoir (2) sur le carter moteur. Utilisez un entraîneur de piston pour pousser le piston hors du collier à segment et dans le cylindre.

Remettez les chapeaux et les boulons de tête de bielle. Serrez les boulons à 15 ± 1 N m.

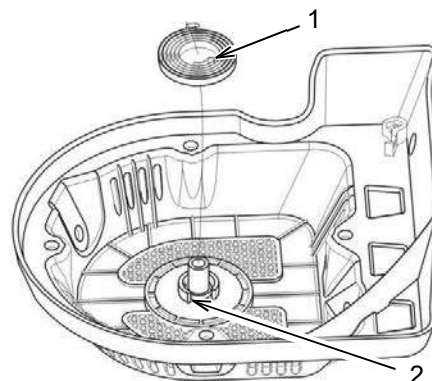
Ressort du démarreur manuel – Installation

Remarque : il est recommandé de remplacer la totalité du démarreur manuel.

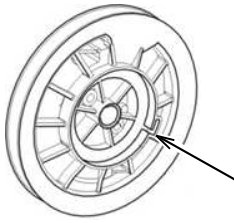
Inspectez les pièces. Remplacez toutes les pièces qui sont endommagées ou usées.



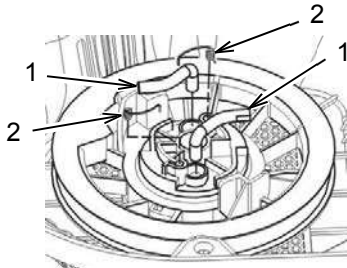
Faites passer le cordon du démarreur manuel dans le trou de la poulie de ce dernier et faites un nœud à l'extrémité du cordon, comme indiqué ci-dessus.



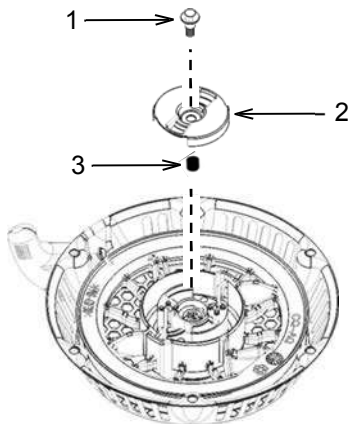
Mettez le crochet intérieur (1) du ressort du démarreur manuel dans la gorge (2) du boîtier de ce dernier et placez le ressort dans le boîtier. Maintenez le ressort en place.



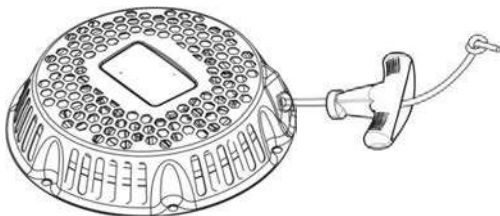
Mettez le crochet extérieur du ressort du démarreur manuel dans la gorge de la poulie de ce dernier et maintenez la poulie en place.



Réglez les cames d'entraînement du démarreur (1) sur la poulie du démarreur manuel, installez les ressorts de rappel (2) sur la poulie et accrochez-les sur le côté des cames d'entraînement.



Installez le ressort (3), le guide d'entraînement (2), et la vis de fixation (1). Serrez la vis de fixation à 9 ± 1 N m (6-7 lb pi).



Enroulez le cordon autour de la poulie. Tirez légèrement sur le cordon et placez son extrémité dans le logement. Faites passer l'extrémité du cordon à travers la poignée. Faites un nœud et laissez le ressort tirer la poignée vers le logement. Tirez légèrement pour vérifier que le système fonctionne correctement.

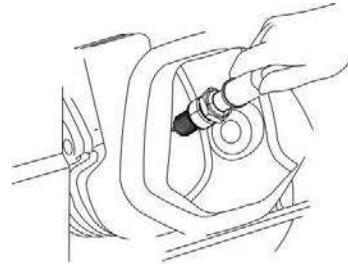
Bougie – Vérification



Risque d'électrocution ou de choc électrique : N'utilisez pas ce générateur et ne travaillez pas dessus avant d'avoir lu et compris l'ensemble des instructions et des avertissements fournis dans le manuel d'utilisation. Le non-respect des instructions ou des avertissements peut provoquer de graves blessures pouvant entraîner la mort.

Vérifiez que vos mains sont sèches et que vous n'êtes pas relié à la terre.

Pour diminuer le risque de feu instantané, vérifiez qu'il n'y a pas de carburant à proximité. Tournez le robinet de carburant en position « 0 » (désactivé) et vidangez le carburant du carburateur.



- Retirez le capuchon de la bougie d'allumage et la bougie d'allumage.
- Tirez la poignée du démarreur manuel pour vidanger le carburant du cylindre.
- Remettez le capuchon sur la bougie d'allumage.
- Tournez le commutateur du générateur en position « I » (activé).
- Tenez la bougie d'allumage par le capuchon et placez délicatement son filetage contre la culasse, comme indiqué ci-dessus.
- Tirez la poignée du démarreur manuel et vérifiez si une étincelle se produit.
- Si l'étincelle est faible ou s'il n'y a pas d'étincelle, consultez la section Bougie d'allumage – Inspection/Réglage/Remplacement.
- Si le problème ne vient pas de la bougie d'allumage, consultez la section Bobine d'allumage – Inspection.

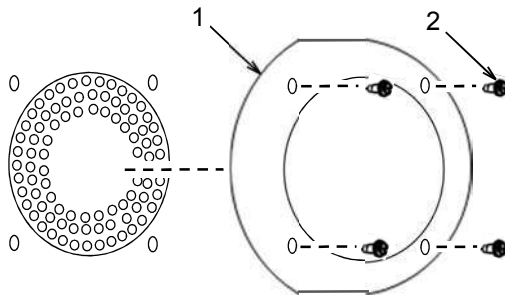
Pare-étincelles – Inspection/ Nettoyage/Remplacement

Cette unité dispose d'un pare-étincelles fixé à la sortie d'échappement du silencieux. Le pare-étincelles doit être nettoyé avec une brosse métallique douce toutes les 50 heures de fonctionnement ou tous les 3 mois. Le pare-étincelles doit être remplacé toutes les 100 heures de fonctionnement.

AVERTISSEMENT

Les pièces chaudes ou les composants chauds peuvent provoquer des brûlures ou des blessures corporelles. Évitez tout contact entre les pièces ou composants chauds et votre peau. Utilisez des vêtements de protection ou un équipement de protection pour protéger votre peau.

N'effectuez PAS cette procédure d'entretien avant que le silencieux ait eu le temps de refroidir.

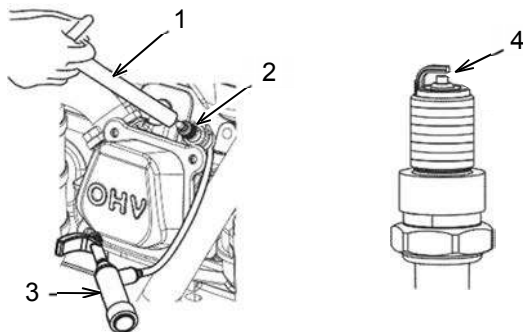


Retirez les vis (2). Retirez le pare-étincelles (1) et inspectez-le. Nettoyez-le soigneusement avec une brosse métallique douce. Si le pare-étincelles est endommagé, remplacez-le.

Pour installer le pare-étincelles, alignez les trous de fixation du pare-étincelles avec les trous de fixation du silencieux. Insérez les vis (2) et serrez-les fermement.

Bougie d'allumage – Inspection/ Réglage/Remplacement

Consultez la section Caractéristiques du présent manuel afin de déterminer la référence de bougie d'allumage et l'écartement de bougie adaptés à votre produit.

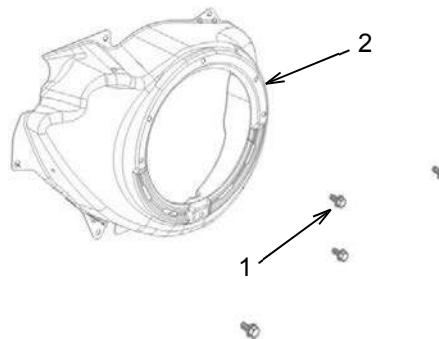


1. Retirez le panneau latéral.
2. Retirez le capuchon de la bougie d'allumage (3).
3. Utilisez la clé à bougie (1) ou une clé à cliquet et une douille pour bougie d'allumage 13/16 po pour retirer la bougie d'allumage.
4. Effectuez une vérification visuelle de la bougie afin de vérifier si elle est endommagée. Si l'isolant est craquelé, remplacez la bougie d'allumage. Si l'électrode est endommagée, remplacez la bougie d'allumage.
5. Mesurez l'écartement de la bougie (4) à l'aide d'une jauge d'épaisseur. Celui-ci doit être compris entre 0,7 mm et 0,8 mm (entre 0,028 et 0,032 pouce). Ajustez l'écartement en pliant délicatement le côté de l'électrode au besoin.
6. Vérifiez que la rondelle de la bougie est en bon état de fonctionnement. Si la rondelle est endommagée, remplacez-la.
7. Installez la bougie d'allumage et serrez à 22 ± 2 N m (16 ± 2 lb pi). Ne serrez PAS trop, car cela peut endommager le moteur.
8. Installez le capuchon de la bougie d'allumage.

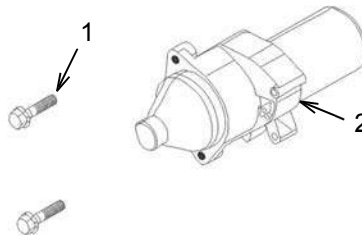
Démarrateur – Remplacement (si nécessaire)

Débranchez le câble de la borne négative de la batterie et placez-le loin de la batterie pour éviter tout contact.

Retirez le démarreur manuel si un dégagement supplémentaire est nécessaire pour atteindre les boulons.

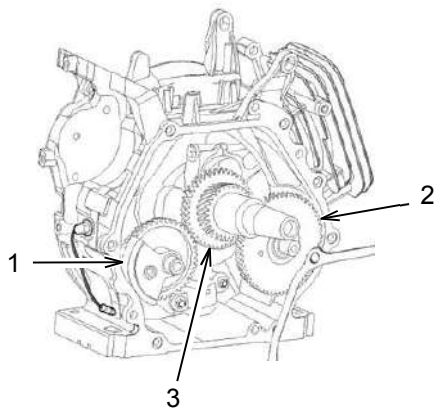


Retirez les boulons (1) et l'épaulement (2).



Retirez les boulons de fixation du démarreur (1) de l'avant du carter moteur et retirez le démarreur (2) du côté du carter. Remontez les pièces dans l'ordre inverse.

Pignon de distribution – Inspection/ Remplacement



Le moteur comporte trois arbres, le volant du vilebrequin (1), l'arbre à cames (2) et le vilebrequin (3). Inspectez les pignons sur chacun des arbres. S'ils sont usés ou si les dents sont cassées, remplacez-les. Vérifiez l'engrènement des pignons. Si l'emboîtement des pignons est trop lâche, le moteur sera plus bruyant que la normale. Il est recommandé de remplacer les pignons si l'engrènement est trop lâche. Si vous devez remplacer les pignons ou les arbres, remplacez-les un à un pour diminuer les risques de les assembler de manière incorrecte.

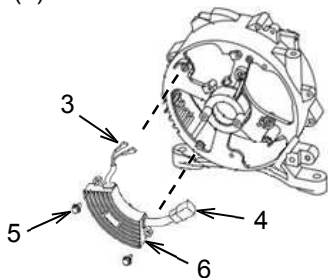
Le vilebrequin et l'arbre à cames ont tous deux des marques repères sur la face du pignon. Utilisez ces marques pour aligner les pignons pendant l'assemblage. Lors de l'alignement des marques, vérifiez que le piston est au point mort haut.

Régulateur de tension – Remplacement

Le régulateur de tension se trouve derrière le couvercle du générateur.



Dévissez les boulons (1), puis retirez le couvercle du moteur (2).



Débranchez tous les fils (3) de la brosse et le connecteur (4). Dévissez les boulons (5), puis retirez le régulateur de tension (6). Remontez les pièces dans l'ordre inverse. Le fil rouge va dans la borne « + » de la brosse. Le fil blanc va dans la borne « - » de la brosse.

Inspection visuelle

Avant de démarrer le moteur, effectuez une inspection visuelle de l'unité. Éléments à vérifier :

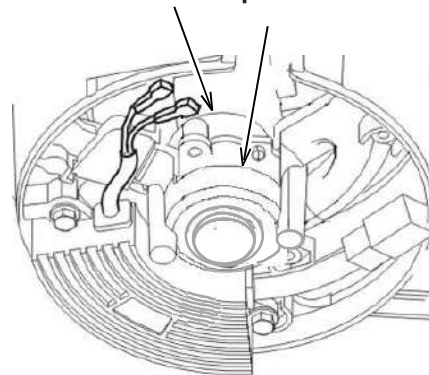
- Niveau d'huile correct
- Niveau de carburant correct
- Carburant de bonne qualité
- Fuites de liquide
- Pincés mal serrés
- Boulons mal serrés
- Conduit de carburant craquelé
- Câbles mal serrés ou effilochés
- Accumulation de débris

Vérifiez également que :

- le câble de mise à la terre est correctement branché;
- les disjoncteurs sont en position « 0 » (désactivés);
- le bouton de l'étrangleur est tiré;
- le commutateur de carburant est en position « I » (activé).

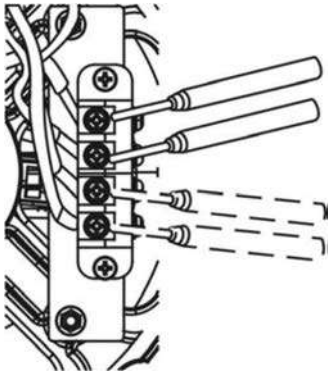
Enroulements – Test

Enroulement de champ :



Retirez la brosse. Utilisez un ohmmètre ou un multimètre pour mesurer la résistance de la bague collectrice aux points indiqués. La résistance doit être de $58,5 \Omega \pm 10 \%$ à $25 \text{ }^\circ\text{C}$. Si la résistance est hors du seuil de tolérance, nettoyez la bague collectrice et réessayez. Si nécessaire, remplacez le générateur.

Enroulement principal :



Utilisez un ohmmètre ou un multimètre sur le bornier pour mesurer la résistance de l'enroulement principal. Placez l'outil de mesure sur les bornes de sortie de courant alternatif et mesurez tout. La résistance doit être de $0,35 \Omega \pm 10 \%$ à $25 \text{ }^\circ\text{C}$. Si la résistance est hors du seuil de tolérance, remplacez le générateur. Mesurez la résistance des fils à la terre. La résistance doit être infinie. Si ce n'est pas le cas, remplacez le générateur.

ENTREPOSAGE

De la condensation peut se former dans les enroulements lors de l'entreposage d'un générateur. Afin de réduire la condensation, entreposez toujours le générateur dans une zone sèche. Couvrez le générateur avec une housse de protection s'étendant jusqu'au sol. La housse doit rester ample autour du générateur afin de permettre une bonne ventilation.

Entreposage de 1 à 3 mois

Retirez la saleté, la rouille, la graisse et l'huile du générateur. N'utilisez PAS de laveuse à pression pour nettoyer le générateur. Inspectez l'extérieur. Effectuez toutes les réparations nécessaires.

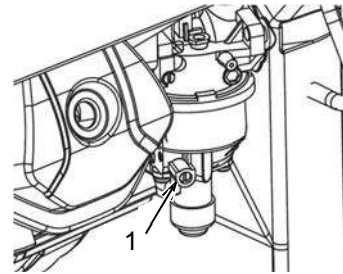
Ajoutez un stabilisateur de carburant dans le réservoir de carburant pour éviter la dégradation de l'essence. Démarrez le moteur et laissez-le tourner pendant 10 minutes pour que le stabilisateur de carburant soit aspiré par le carburateur. Éteignez le moteur et laissez-le refroidir.

Tournez le robinet de carburant en position « 0 » (désactivé).

Déplacez le générateur vers le site d'entreposage. Couvrez le générateur.

Entreposage de plus de 3 mois

Retirez la saleté, la rouille, la graisse et l'huile du générateur. N'utilisez PAS de laveuse à pression pour nettoyer le générateur. Inspectez l'extérieur. Effectuez toutes les réparations nécessaires.



⚠ DANGER

L'essence est extrêmement inflammable et peut devenir explosive dans certaines conditions. Vérifiez que le moteur est arrêté et froid, puis vidangez le carburant dans une zone bien aérée. Ne fumez jamais et n'émettez aucune flamme nue ou étincelle à proximité pendant cette procédure.

Vérifiez que le robinet de carburant est en position « I » (activé). Retirez le bouchon de carburant et le bouchon de vidange (1) de la cuve du carburateur et vidangez le carburant dans un récipient adapté. NE gardez PAS le carburant en vue d'une utilisation ultérieure dans le générateur. Une fois le carburant entièrement vidangé du système, remettez le bouchon de vidange en place sur le carburateur. Tournez le robinet de carburant en position « 0 » (désactivé). Appliquez une petite quantité d'huile sur les filetages du col de remplissage du réservoir de carburant, puis mettez le capuchon en place.

Changez l'huile moteur.

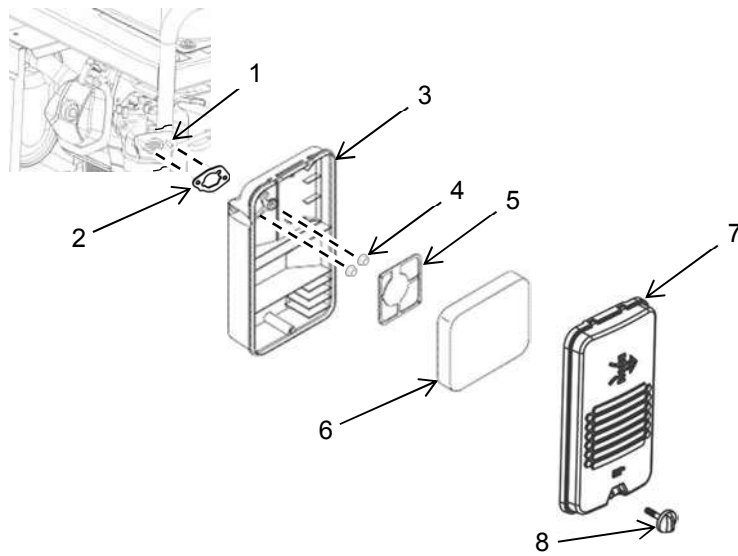
Retirez la bougie d'allumage et versez une petite quantité d'huile dans le cylindre. Installez la bougie d'allumage, mais pas le capuchon de la bougie d'allumage. Tirez sur la poignée du démarreur 3 fois afin de répartir l'huile sur les parois du cylindre.

Retirez la batterie et entreposez-la. Vérifiez périodiquement la batterie et rechargez-la si nécessaire.

Déplacez le générateur vers le site d'entreposage. Couvrez le générateur.

SCHÉMAS

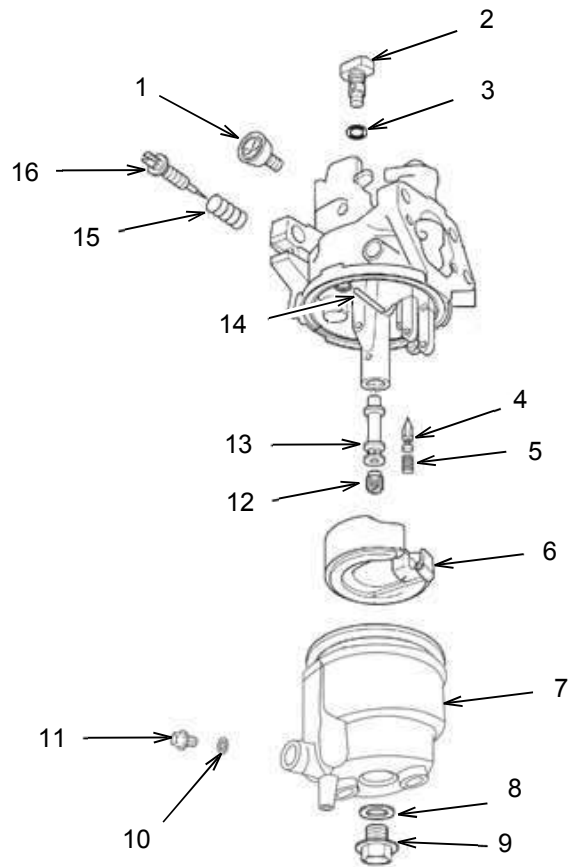
Système de filtre à air



- 1. Goujons de fixation
- 2. Joint
- 3. Boîtier
- 4. Écrou de 6 mm

- 5. Support
- 6. Élément filtrant
- 7. Couvercle
- 8. Boulon du couvercle

Carburateur

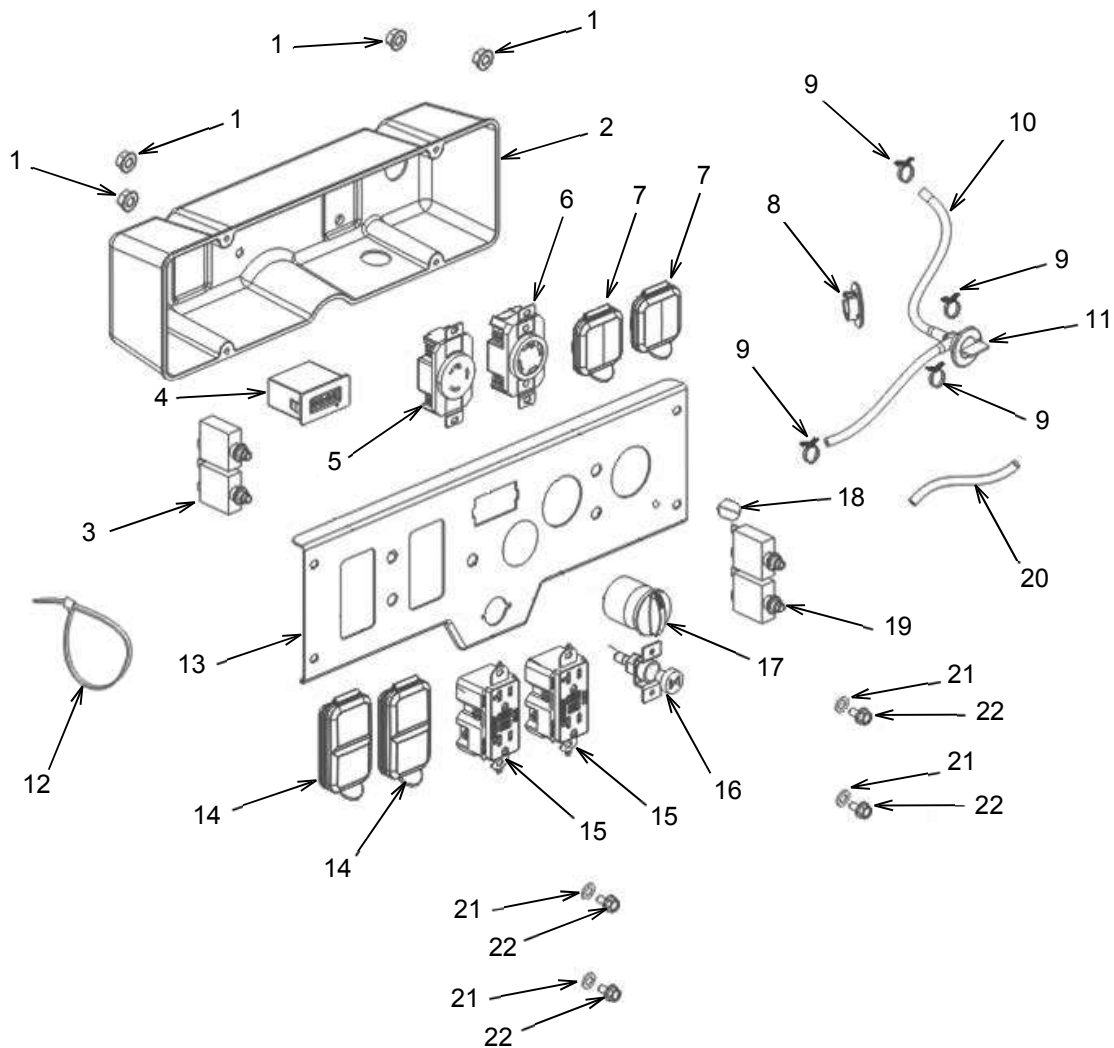


1. Vis de ralenti
2. Gicleur pilote
3. Joint d'étanchéité
4. Pointeau de carburateur
5. Ressort du flotteur
6. Flotteur

7. Cuve à niveau constant
8. Joint
9. Boulon
10. Joint
11. Boulon de vidange
12. Gicleur principal

13. Diffuseur
14. Axe de flotteur
15. Ressort
16. Vis pilote

Panneau de commande

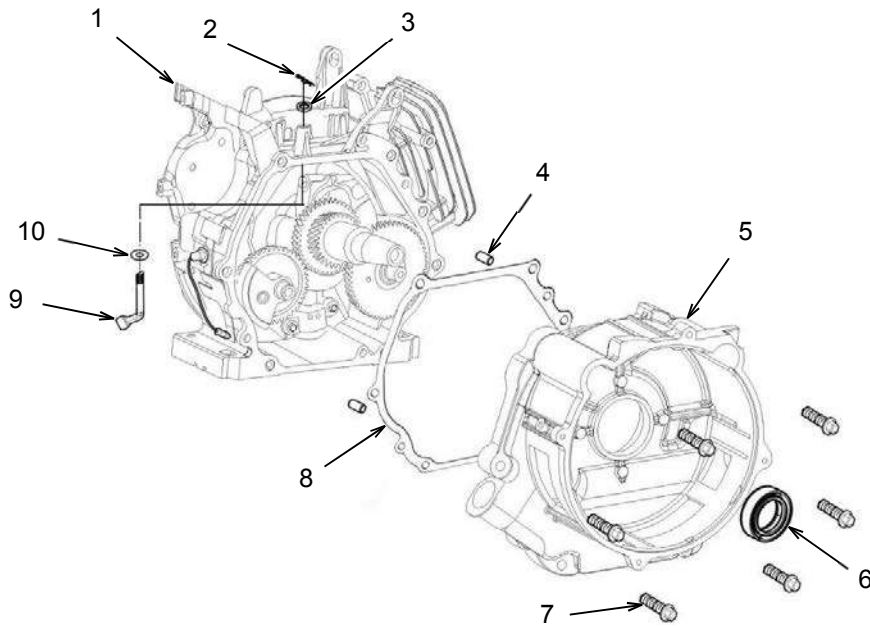


- | | |
|---|--------------------------------------|
| 1. Écrou (7 mm) | 12. Attache de câble |
| 2. Couvercle | 13. Panneau |
| 3. Disjoncteur | 14. Couvercle duplex |
| 4. Écran | 15. Prise : 120 V c.a. GFCI (double) |
| 5. Prise : 120 V c.a. (verrou rotatif)* | 16. Ensemble d'étrangleur |
| 6. Prise : 240 V c.a. (verrou rotatif) | 17. Commutateur du générateur |
| 7. Couvercle** | 18. Voyant du panneau |
| 8. Attache du robinet de carburant | 19. Disjoncteur |
| 9. Collier de serrage | 20. Manchon |
| 10. Conduite d'essence | 21. Rondelle |
| 11. Robinet de carburant | 22. Boulon (10 x 19 mm) |

* - Non inclus pour le RP5500

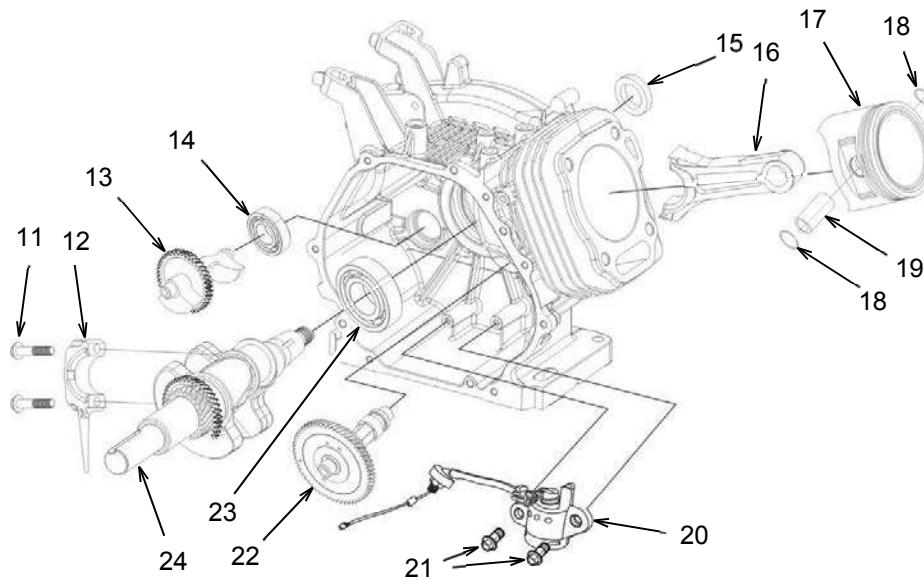
** - Un seul inclus pour le RP5500

Carter moteur et piston



1. Carter moteur
2. Goupille du régulateur
3. Joint d'étanchéité
4. Pion de centrage
5. Couvercle du carter moteur

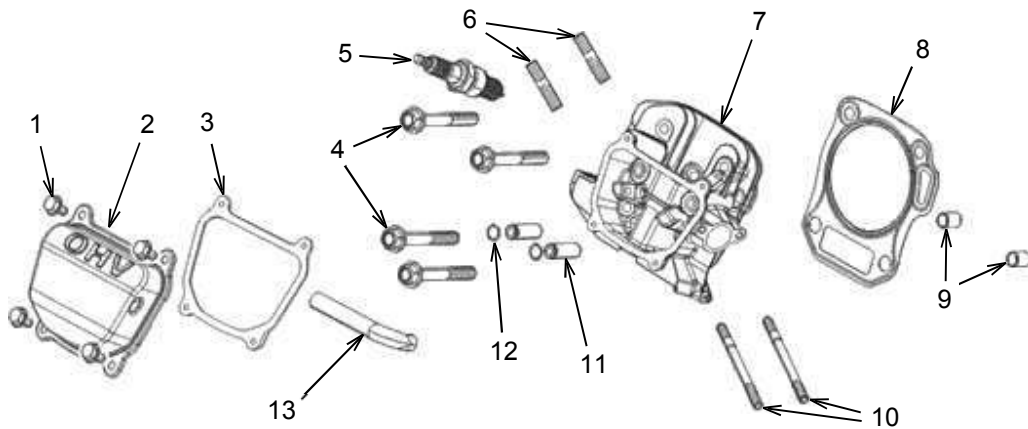
6. Joint d'étanchéité (55 mm)
7. Boulon (M8 x 40)
8. Joint du carter moteur
9. Bras du régulateur
10. Rondelle



11. Boulon de bielle (M15 x 44)
12. Chapeau de bielle
13. Volant du vilebrequin
14. Palier
15. Joint d'étanchéité (55 mm)
16. Bielle
17. Piston

18. Attache de l'axe de piston
19. Axe de piston
20. Capteur d'huile
21. Boulons (M6 x 16)
22. Arbre à cames
23. Palier de vilebrequin
24. Vilebrequin

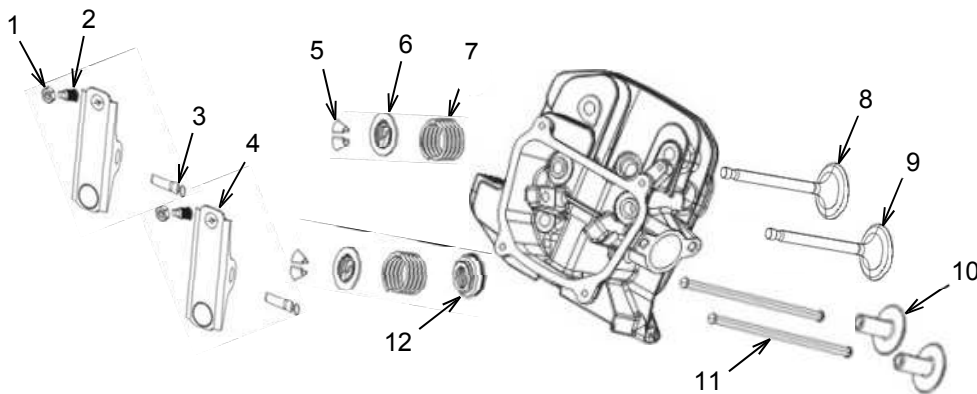
Culasse de cylindre et soupapes



1. Boulon de couvre-culasse
2. Couvre-culasse
3. Joint de couvre-culasse
4. Boulons de culasse de cylindre

5. Bougie d'allumage
6. Goujon 8 x 34 mm
7. Culasse
8. Joint de culasse de cylindre

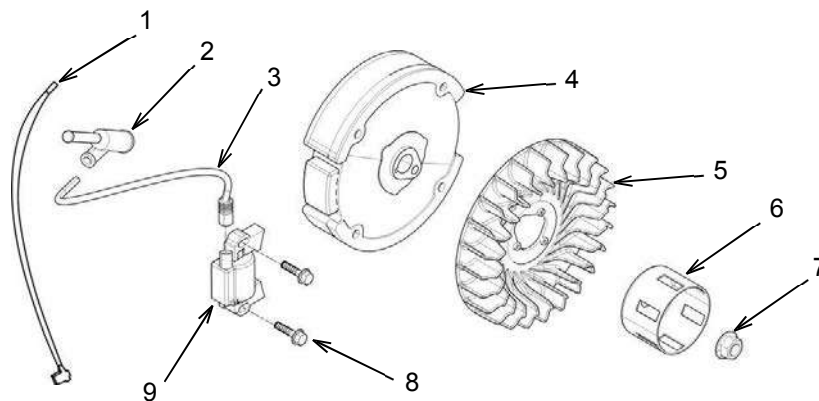
9. Goupille
10. Goujon 9 x 112 mm
11. Guide de soupape
12. Attache
13. Tube reniflard



1. Contre-écrou
2. Écrou de réglage
3. Axe de culbuteur
4. Culbuteur
5. Rotateur de soupape
6. Bague d'arrêt

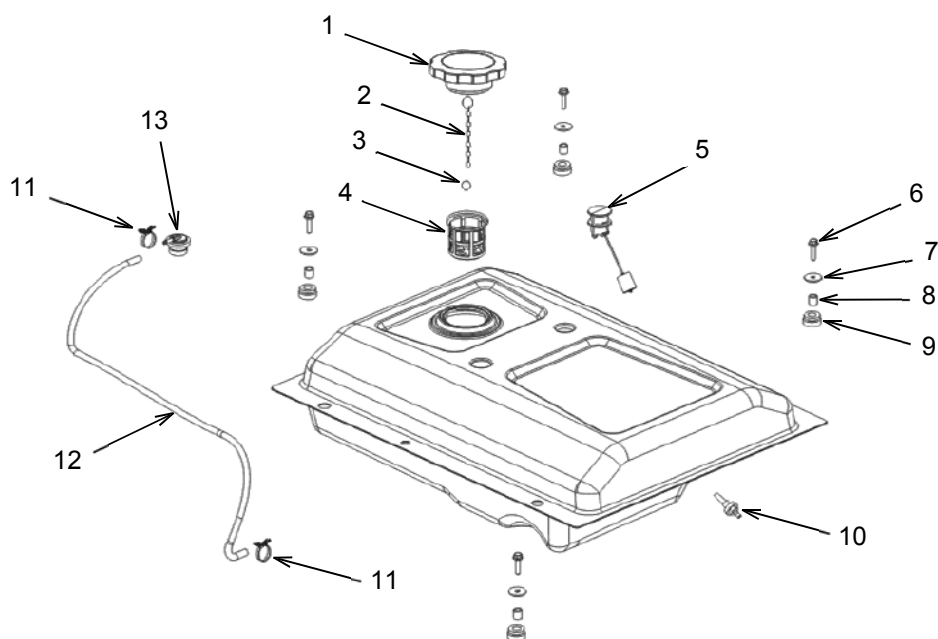
7. Ressort
8. Soupape d'échappement
9. Soupape d'admission
10. Poussoir
11. Bielle de poussée
12. Bague d'arrêt

Volant d'inertie



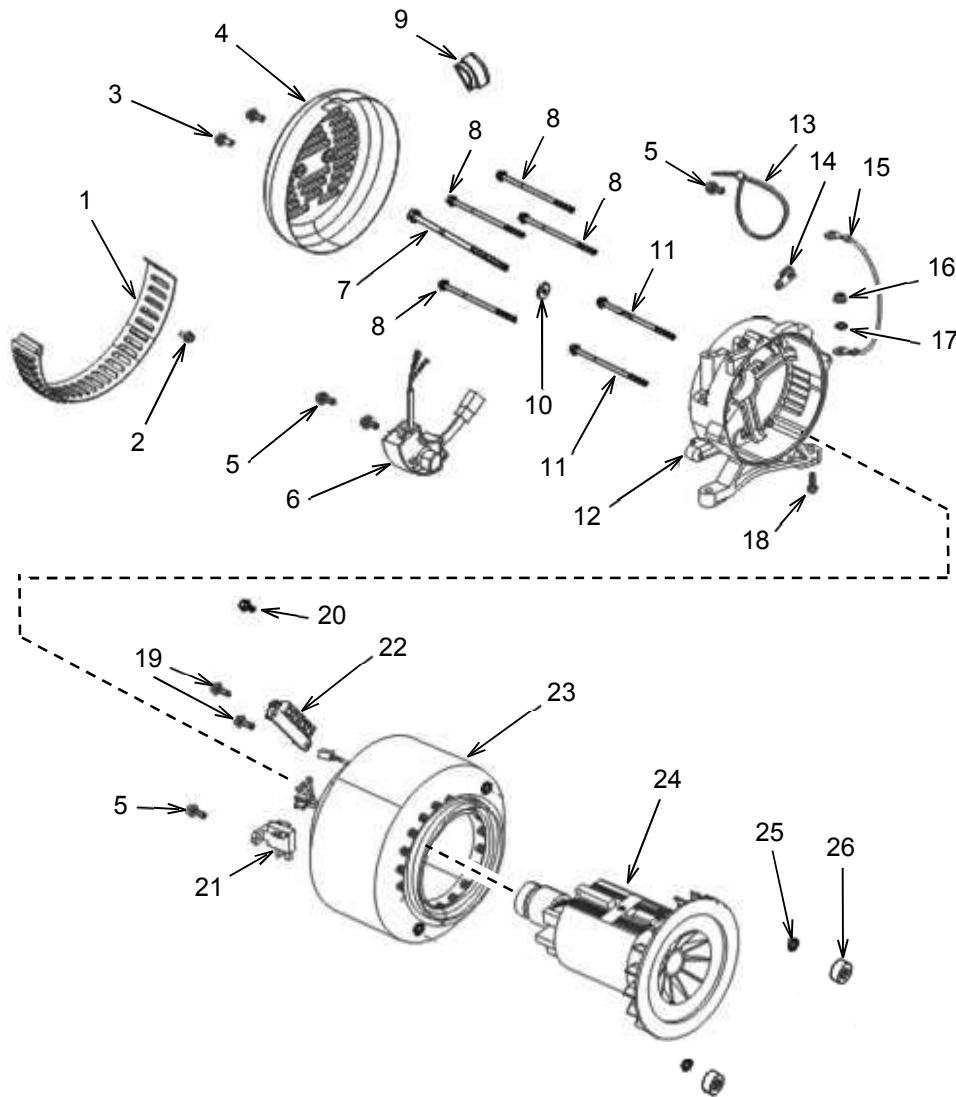
- | | |
|-------------------------------------|--------------------------|
| 1. Attache autobloquante | 6. Coupelle de démarrage |
| 2. Capuchon de la bougie d'allumage | 7. Écrou de 16 mm |
| 3. Câble de bougie | 8. Boulon 6 x 25 mm |
| 4. Volant d'inertie | 9. Bobine d'allumage |
| 5. Roue à ailettes | |

Réservoir de carburant



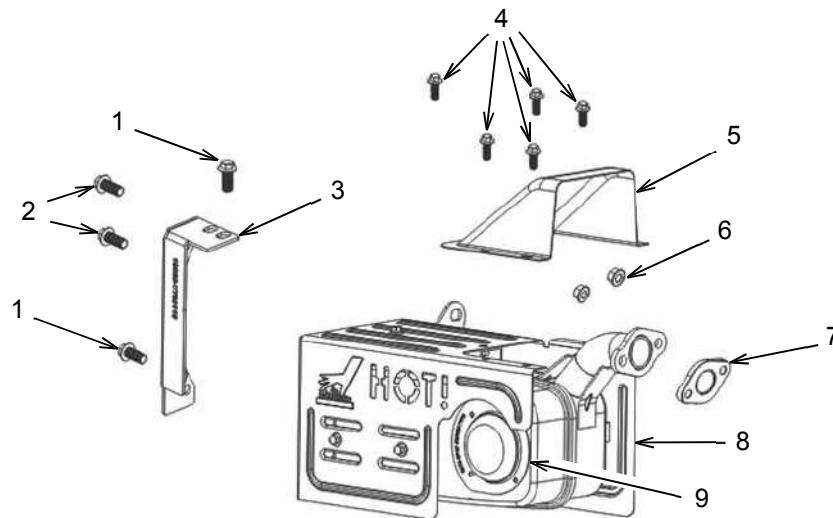
- | | |
|--------------------------------------|------------------------|
| 1. Bouchon du réservoir de carburant | 8. Bague |
| 2. Chaîne | 9. Manchon |
| 3. Attache | 10. Filtre à carburant |
| 4. Filtre à carburant | 11. Collier de serrage |
| 5. Jauge de carburant | 12. Conduite d'essence |
| 6. Boulon (32 x 14 mm) | 13. Clapet anti-fuite |
| 7. Rondelle | |

Générateur



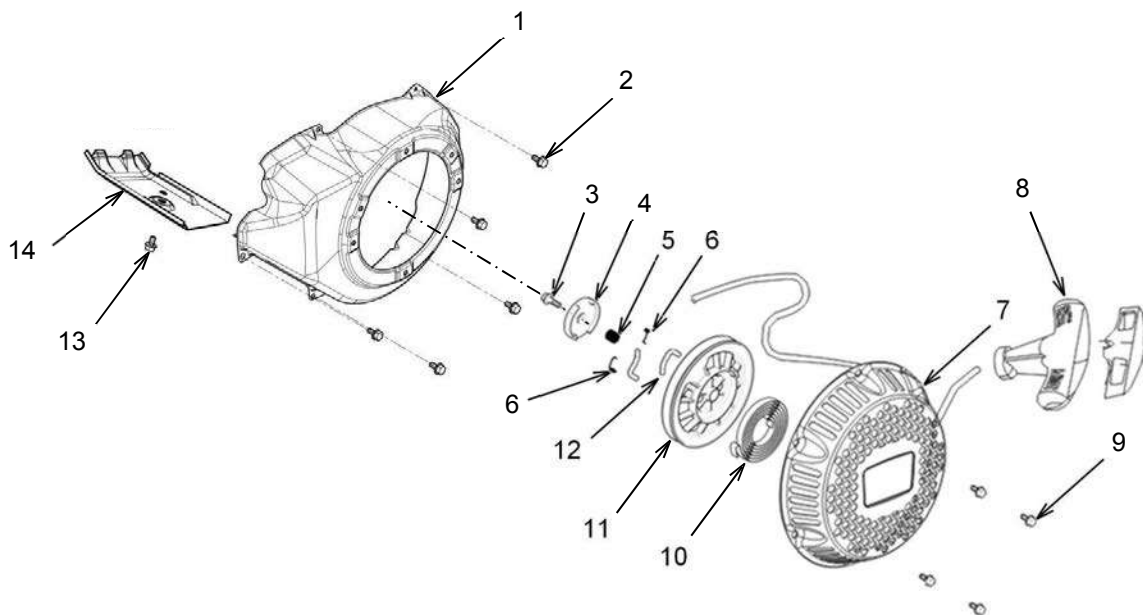
- | | | |
|--------------------------|-----------------------------|-------------------------|
| 1. Épaulement | 10. Rondelle (33 mm) | 19. Boulon (20 x 12 mm) |
| 2. Boulon (15 x 13 mm) | 11. Boulon (225 x 15 mm) | 20. Boulon (16 x 12 mm) |
| 3. Boulon (16 x 12 mm) | 12. Support | 21. Ensemble brosse |
| 4. Couvercle | 13. Bande | 22. Bornier |
| 5. Boulon (21 x 12 mm) | 14. Borne (mise à la terre) | 23. Stator |
| 6. Régulateur de tension | 15. Fil (mise à la terre) | 24. Rotor |
| 7. Boulon (287 x 20 mm) | 16. Écrou (M15) | 25. Rondelle |
| 8. Boulon (195 x 13 mm) | 17. Rondelle d'arrêt | 26. Écrou (M10) |
| 9. Couvercle | 18. Boulon (19 x 8 mm) | |

Silencieux



- | | | |
|--------------------------|----------------|-----------------------------|
| 1. Boulon (18 x 24 mm) | 5. Couvercle | 8. Assemblage de silencieux |
| 2. Boulon (18 x 24 mm) | 6. Écrou (M13) | 9. Pare-étincelles |
| 3. Support | 7. Joint | |
| 4. Boulon (18 x 13,5 mm) | | |

Démarrateur manuel



- | | | |
|-------------------------|--------------------------------|---------------------------------------|
| 1. Épaulement | 7. Boîtier | 12. Cames d'entraînement du démarreur |
| 2. Boulons 6x10 mm | 8. Poignée | 13. Boulon 6 x 12 mm |
| 3. Vis de blocage | 9. Boulon 6 x 12 mm | 14. Épaulement du corps de cylindre |
| 4. Guide d'entraînement | 10. Ressort de démarreur | |
| 5. Ressort | 11. Poulie du démarreur manuel | |
| 6. Ressort de rappel | | |

DÉPANNAGE

Problème :	Cause possible :	Solution :	Vérification :
Le moteur ne démarre pas	Commutateur du générateur en position « 0 » (désactivé).	Tournez le commutateur du générateur dans la bonne position.	Démarrez le moteur
	Commande d'étrangleur dans la mauvaise position	Mettez la commande d'étrangleur dans la bonne position.	
	Manque d'huile dans le moteur	Vérifiez le niveau d'huile. S'il est faible, ajoutez l'huile recommandée. Consultez la section Niveau d'huile moteur – Vérification pour le niveau approprié.	
	Filtre à air sale	Vérifiez le filtre à air. Nettoyez-le ou remplacez-le au besoin.	
	Batterie déchargée ou défectueuse	Le cas échéant. Démarrez le moteur en utilisant le démarreur manuel. Si le générateur démarre, vérifiez la batterie. Si la batterie fournit moins de 12,4 volts, remplacez la batterie.	
	Pas de carburant	Remplissez le réservoir de carburant	
	Carburant vieux ou sale	Videz et remplissez de nouveau si nécessaire.	
	Pas de carburant au niveau du carburateur	Vérifiez que le commutateur de carburant est en position « I » (activée). Vérifiez la ventilation du bouchon du réservoir de carburant. Si la ventilation est obstruée, nettoyez-la.	
	Manque de carburant dans le moteur	Veillez à ce que le pointeau soit bien fermé. Nettoyez-le ou remplacez-le au besoin.	
		Vérifiez l'injecteur de carburant. Nettoyez-le si nécessaire.	
		Inspectez le flotteur. Si le flotteur est endommagé ou coincé, réparez-le ou remplacez-le.	
	Moteur noyé	Patiencez 5 minutes. Retirez et nettoyez la bougie d'allumage. Pompez le carburant ou laissez-le s'évaporer avant de réinstaller la bougie d'allumage.	
	Pas d'étincelle d'allumage	Inspectez la bougie d'allumage. Nettoyez-la, réglez son écartement ou remplacez-la, le cas échéant.	
		Inspectez le câble de la bougie d'allumage. Remplacez la pièce si elle est endommagée. Vérifiez la résistance. Si la résistance est hors du seuil de tolérance, remplacez le câble.	
		Inspectez la bobine d'allumage. Remplacez la pièce si elle est endommagée. Vérifiez les résistances. Si l'une des résistances est hors du seuil de tolérance, remplacez la bobine d'allumage.	
		Inspectez l'écartement entre la bobine d'allumage et le volant d'inertie. Réglez l'écartement si nécessaire.	
		Inspectez la magnéto. Remplacez la pièce, au besoin.	
Pression du cylindre	Vérifiez les câbles afin de vous assurer qu'aucun d'entre eux n'est court-circuité.		
	Inspectez les boulons de culasse du cylindre afin de vous assurer qu'ils sont bien vissés à 40±3 N m. Serrez-les, le cas échéant.		
	Vérifiez le jeu de la soupape et les sièges. Ajustez ou réparez au besoin.		
	Vérifiez le joint de la culasse de cylindre. Remplacez la pièce si elle est endommagée.		
	Inspectez les surfaces de la culasse de cylindre et du bloc de culasse pour en vérifier la planéité. Réparez ou remplacez si elle est hors du seuil de tolérance.		
	Vérifiez les segments du piston. Si les segments du piston sont usés ou cassés, remplacez-les.		
Si le moteur ne démarre toujours pas :	Remontez le moteur, remplacez-le ou pensez à remplacer l'appareil.		

Problème :	Cause possible :	Solution :	Vérification :	
Le moteur démarre, mais tourne irrégulièrement ou n'a pas assez de puissance	Filtre à air sale	Vérifiez le filtre à air. Nettoyez-le ou remplacez-le au besoin	Démarez le moteur. Vérifiez s'il fournit de la puissance ou s'il tourne mal	
	Commande d'étrangleur dans la mauvaise position	Mettez la commande d'étrangleur dans la bonne position.		
	Présence d'air dans la conduite de carburant ou conduite de carburant bouchée	Vérifiez la conduite de carburant. Videz-la ou remplacez-la au besoin.		
	Manque de carburant dans le moteur	Veillez à ce que le pointeau soit bien fermé. Nettoyez-le ou remplacez-le au besoin.		Vérifiez l'injecteur de carburant. Nettoyez-le si nécessaire. Inspectez le flotteur. Si le flotteur est endommagé ou coincé, réparez-le ou remplacez-le.
		Vérifiez l'injecteur de carburant. Nettoyez-le si nécessaire.		
		Inspectez le flotteur. Si le flotteur est endommagé ou coincé, réparez-le ou remplacez-le.		
	Accumulation de carbone dans la chambre de combustion	Retirez la culasse de cylindre et nettoyez-la si besoin.		
	Pression du cylindre	Vérifiez le jeu de la soupape et les sièges. Consultez le tableau Caractéristiques d'entretien et la section Jeu de soupape du moteur – Réglage pour connaître la valeur correcte. Ajustez ou réparez au besoin.		Vérifiez le joint de la culasse de cylindre. Remplacez la pièce si elle est endommagée. Vérifiez les segments du piston. Si les segments du piston sont usés ou cassés, remplacez-les.
		Vérifiez le joint de la culasse de cylindre. Remplacez la pièce si elle est endommagée.		
Vérifiez les segments du piston. Si les segments du piston sont usés ou cassés, remplacez-les.				
Si la puissance fournie par le moteur est toujours faible :	Remontez le moteur, remplacez-le ou pensez à remplacer l'appareil.			
Le moteur s'éteint	Plus de carburant	Vérifiez le niveau de carburant. Remplissez le réservoir de carburant si nécessaire.	Démarez le moteur. Vérifiez qu'il s'arrête.	
	Manque d'huile dans le moteur	Vérifiez le niveau d'huile. S'il est faible, ajoutez l'huile recommandée. Consultez la section Niveau d'huile du moteur – Vérification pour connaître l'huile appropriée à utiliser.		
	Filtre à air sale	Nettoyez le filtre à air.		
	Surcharge du générateur	Débranchez certains appareils.		
	Si le moteur continue à s'arrêter :	Remontez le moteur, remplacez-le ou pensez à remplacer l'appareil.		
Le moteur émet un son inhabituel	Cliquetis	Vérifiez la température du moteur. Si le moteur est trop chaud, consultez la section relative à la surchauffe.	Démarez le moteur. Vérifiez qu'aucun son n'est inhabituel	
		Vérifiez si le carburant utilisé est approprié et s'il a un bon indice. Videz et remplissez à nouveau le réservoir de carburant si besoin.		
		Assurez-vous que le volant d'inertie est correctement serré au vilebrequin. Consultez la section Volant d'inertie – Installation pour connaître le bon couple de serrage.		
		Vérifiez le jeu de la soupape. Consultez le tableau Caractéristiques d'entretien et la section Jeu de soupape du moteur – Réglage pour connaître la valeur correcte. Réglez le jeu de la soupape si celui-ci est en dehors du seuil de tolérance.		
		Vérifiez l'absence de dépôts de carbone dans le cylindre. Nettoyez-le si nécessaire.		
		Inspectez le piston et ses segments. Si le piston ou ses segments sont usés ou cassés, remplacez les pièces défectueuses.		
		Inspectez l'axe du piston et l'orifice de l'axe du piston. Remplacez la pièce si elle est usée.		
		Inspectez les extrémités de bielle. Remplacez la pièce si elle est usée.		
		Inspectez le palier de vilebrequin. Remplacez la pièce si elle est usée.		
	Si le moteur émet toujours un son inhabituel :	Remontez le moteur, remplacez-le ou pensez à remplacer l'appareil		

Problème :	Cause possible :	Solution :	Vérification :
Surchauffe du moteur	Niveau d'huile bas	Vérifiez l'huile. Rajoutez de l'huile ou changez-la, le cas échéant.	Démarré le moteur et attendez qu'il atteigne sa température de fonctionnement. Vérifiez la température.
	Tuyau d'échappement bouché	Vérifiez le tuyau d'échappement. Si le tuyau d'échappement est bouché, débouchez-le.	
	Présence de débris dans les ailettes de refroidissement	Retirez les débris.	
	Mauvais réglage du régulateur	Vérifiez le régime du moteur. Réglez le régulateur au besoin.	
	Présence d'une fuite au niveau de l'épaule de la roue à ailettes	Inspectez l'épaule. Réparez ou remplacez la pièce au besoin.	
	Cylindre, piston ou segments de piston usés	Inspectez le cylindre, le piston et les segments de piston. Remplacez la pièce, au besoin.	
	Bielle déformée	Inspectez la bielle. Remplacez la pièce, au besoin.	
	Si le moteur est toujours en surchauffe :	Remontez le moteur, remplacez-le ou pensez à remplacer l'appareil	
Le moteur fonctionne, mais le générateur ne fournit peu ou pas de puissance	Régime du moteur bas	Vérifiez le régime du moteur. . Consultez la section Régime du moteur – Réglage, si besoin.	Démarré le moteur et vérifiez la tension de sortie
	Le disjoncteur s'est déclenché	Réenclenchez le disjoncteur.	
	Mauvais branchement	Arrêtez le moteur et vérifiez les branchements.	
	Cordon d'alimentation défectueux	Remplacez le cordon.	
	Un appareil défectueux est branché	Débranchez l'appareil défectueux.	
	Mauvais branchement ou défaillance du régulateur automatique de tension	Vérifiez les tensions et les branchements. Serrez toutes les connexions desserrées. Remplacez le régulateur automatique de tension.	
	Mauvais contact au niveau du balai de carbone	Nettoyez la surface du collecteur de dynamo et la surface courbe du balai de carbone.	
	Mauvaise pression du balai	Réglez ou remplacez le ressort.	
	Mauvais contact au niveau du stator ou du rotor principal	Vérifiez les contacts. Serrez ou remplacez au besoin.	
	Mauvais contact au niveau du panneau, du compteur ou de la douille		
	Perte du champ magnétique	Court-circuitez brièvement le générateur pendant qu'il fonctionne.	
	Enroulement ou branchement d'enroulement défectueux	Vérifiez chaque enroulement. Vérifiez les branchements à la terre. Vérifiez l'isolation. Vérifiez s'il y a un circuit ouvert au niveau de l'anneau d'excitation. Serrez toutes les connexions desserrées et remplacez toutes les pièces défectueuses.	
Si l'appareil fournit toujours peu ou pas de puissance :	Remontez le générateur, remplacez-le ou pensez à remplacer l'appareil.		
Surchauffe du noyau du stator	Haute tension du stator	Réglez la tension.	Démarré le moteur et attendez qu'il atteigne sa température de
	Courant d'excitation trop élevé	Diminuez la charge du générateur.	
	Régime du moteur bas	Vérifiez le régime du moteur. Consultez la section Régime du moteur – Réglage, si nécessaire.	

Problème :	Cause possible :	Solution :	Vérification :
	Friction entre le stator et le rotor	Vérifiez si le noyau de l'induit est usé. Enlevez toute saillie.	fonctionnement. Vérifiez la température du stator.
	Température de l'enroulement du stator trop élevée	Consultez la section relative à la « Surchauffe de l'enroulement du stator »	
	Si le noyau de l'induit est toujours en surchauffe :	Remontez le générateur, remplacez-le ou pensez à remplacer l'appareil.	
Surchauffe de l'enroulement du stator	Charge trop importante	Diminuez la charge du générateur.	Démarrez le moteur et attendez qu'il atteigne sa température de fonctionnement. Vérifiez la température du stator.
	Ventilation bloquée	Vérifiez les ventilations. Nettoyez, si nécessaire.	
	Présence d'un circuit ouvert au niveau de l'enroulement du stator	Vérifiez s'il existe un circuit ouvert au niveau des enroulements. Réparez ou remplacez la pièce au besoin.	
	Enroulement du stator mis à la terre	Vérifiez si un enroulement est court-circuité à la masse. Réparez ou remplacez la pièce au besoin.	
	Si l'enroulement du stator est toujours en surchauffe :	Remontez le générateur, remplacez-le ou pensez à remplacer l'appareil.	
Surchauffe de l'enroulement du rotor	Régime du moteur bas	Vérifiez le régime du moteur. Réglez si besoin.	Démarrez le moteur et attendez qu'il atteigne sa température de fonctionnement. Vérifiez la température du rotor.
	Passage d'air bloqué	Vérifiez l'absence de blocage au niveau de tous les passages d'air. Nettoyez le générateur si besoin.	
	Présence d'un circuit ouvert au niveau de l'enroulement du rotor	Vérifiez s'il existe un circuit ouvert au niveau des enroulements. Réparez ou remplacez la pièce au besoin.	
	Enroulement du rotor mis à la terre	Vérifiez si un enroulement est court-circuité à la masse. Réparez ou remplacez la pièce au besoin.	
	Friction entre le stator et le rotor	Vérifiez si le noyau de l'induit est usé. Enlevez toute saillie.	
	Si l'enroulement du rotor est toujours en surchauffe :	Remontez le générateur, remplacez-le ou pensez à remplacer l'appareil.	

ANNEXE

Caractéristiques du produit

	Article	RP5500	RP6500 E	RP7500 E
Moteur	Type de moteur	Cylindre unique, 4 temps, refroidissement par air forcé, soupapes en tête		
	Cylindrée (cc)	301	420	420
	Système d'allumage	Magnéto à transistors		
	Volume de carburant (L)	28,5		
	Consommation de carburant (g/(kWh))	≤374		
	Temps de fonctionnement continu (h)	10	7,5	7,5
	Temps de fonctionnement continu (h)	15	12	11
	Capacité d'huile (L)	1,1		
Générateur	Tension de charge (V c.c.)	-	0-15	
	Courant de charge (A)	-	0-100	
	Fréquence nominale (Hz)	60		
	Tension nominale (V)	120/240		
	Puissance de sortie nominale (kW)	5,5	6,5	7,5
	Puissance de sortie en pic de surtension (kW)	6,9	8,1	9,375
Groupe électrogène	Capacité nominale de la batterie (Ah)	-	1,6	
	Batterie (V)	-	12	
	Longueur (mm)	835		
	Largeur (mm)	533		
	Hauteur (mm)	563		
	Poids net (kg)	74	85	87,5
	Phase	Monophasé		

Caractéristiques d'entretien

Article	Caractéristique		Limite d'utilisation	
	RP5500	RP6500E RP7500E	RP5500	RP6500E RP7500E
Vitesse maximale (sans charge)	3 730 à 3 830 tr/min		-	
Compression (à 1 400 tr/min)	≥ 1,0 mPa	≥ 1,2 mPa	-	
Diamètre intérieur du manchon du cylindre	80,0 à 80,015 mm	90,0 mm	80,17 mm	90,025 mm
Planéité du protecteur de la culasse de cylindre	-		0,10 mm	
Diamètre extérieur de la jupe de piston	79,985 mm	89,985 mm	79,85 mm	89,975 mm
Dégagement du piston au cylindre	0,025 à 0,04 mm	0,015 à 0,05 mm	0,12 mm	
Diamètre extérieur de l'alésage de l'axe du piston	15,002 mm	20,002 mm	15,042 mm	20,048 mm
Diamètre extérieur de l'axe du piston	15,00 mm	19,994 mm	14,954 mm	19,95 mm
Dégagement de l'alésage à l'orifice de l'axe	0,004 à 0,016 mm	0,002 à 0,014 mm	0,08 mm	0,06 mm
Dégagement latéral du segment de piston	0,015 à 0,045 mm	0,030 à 0,060 mm	0,15 mm	
Coupe du segment de piston	0,20 à 0,35 mm	0,20 à 0,40 mm	1,0 mm	
Coupes du segment racleur du piston	0,20 à 0,70 mm	0,15 à 0,35 mm	1,0 mm	
Largeur du segment de piston	1,2 mm		1,05 mm	1,17 mm
Largeur du segment racleur de piston	2,2 mm	2,5 mm	2,05 mm	2,37 mm
Diamètre intérieur des extrémités de bielle du piston	15,011 mm	20,005 mm	15,07 mm	20,07 mm
Diamètre intérieur des extrémités de bielle du bras de manivelle	33,02 mm	36,025 mm	33,07 mm	36,07 mm
Espace de lubrification	0,040 à 0,064 mm		0,12 mm	
Dégagement latéral de l'extrémité du bras de manivelle	0,3 à 0,4 mm	0,10 à 0,40 mm	1,0 mm	
Diamètre extérieur de l'axe du vilebrequin	29,975 mm	35,975 mm	29,92 mm	35,93 mm
Dégagement de la soupape d'admission	0,05 ± 0,02 mm		-	
Dégagement de la soupape d'échappement	0,05 ± 0,02 mm		-	
Diamètre intérieur du corps de soupape d'admission	5,468 mm	5,48 mm	5,318 mm	
Diamètre intérieur du corps de soupape d'échappement	5,425 mm	5,44 mm	5,275 mm	
Diamètre intérieur du guide de soupape	5,50 mm		5,572 mm	
Dégagement de la tige de soupape d'admission	0,02 à 0,044 mm		0,10 mm	
Dégagement de la tige de soupape d'échappement	0,06 à 0,087 mm		0,12 mm	
Largeur du siège de soupape	0,8 à 1,0 mm		2,0 mm	
Longueur libre du ressort de soupape	37,5 mm		36 mm	36,5 mm
Lobe d'admission de l'arbre à cames	32,063 mm	32,498 mm	31,813 mm	32,198 mm
Lobe d'échappement de l'arbre à cames	31,808 mm	31,985 mm	31,558 mm	29,886 mm
Diamètre extérieur du journal de l'arbre à cames	16,166 mm	15,966 mm	16,12 mm	15,92 mm
Diamètre intérieur du support de l'arbre à cames	16,2 mm	16,0 mm	16,248 mm	16,05 mm
Gicleur principal du carburateur	1,02 mm		-	
Écartement de la bougie d'allumage	0,70 à 0,80 mm		-	
Résistance du câble de la bougie d'allumage	7,5 à 12,5 kΩ	5 kΩ	-	
Résistance de la bobine d'allumage primaire	0,6 à 0,9 Ω	0,8 à 1,0 Ω	-	
Résistance de la bobine d'allumage secondaire	5,6 à 6,6 kΩ	5,9 à 7,1 kΩ	-	
Entrefer de la bobine d'allumage	0,2 à 0,6 mm	0,4 à 0,6 mm	-	
Résistance de l'enroulement du stator	0,35 ± 10 % à 25 °C		-	
Résistance de l'enroulement auxiliaire du stator	3,05 Ω ± 10 % à 25 °C		-	
Résistance de l'enroulement d'excitation du rotor	58,5 Ω ± 10 % à 25 °C		-	
Longueur du balai carbone	10 mm		6 mm	

Schéma électrique du RP5500

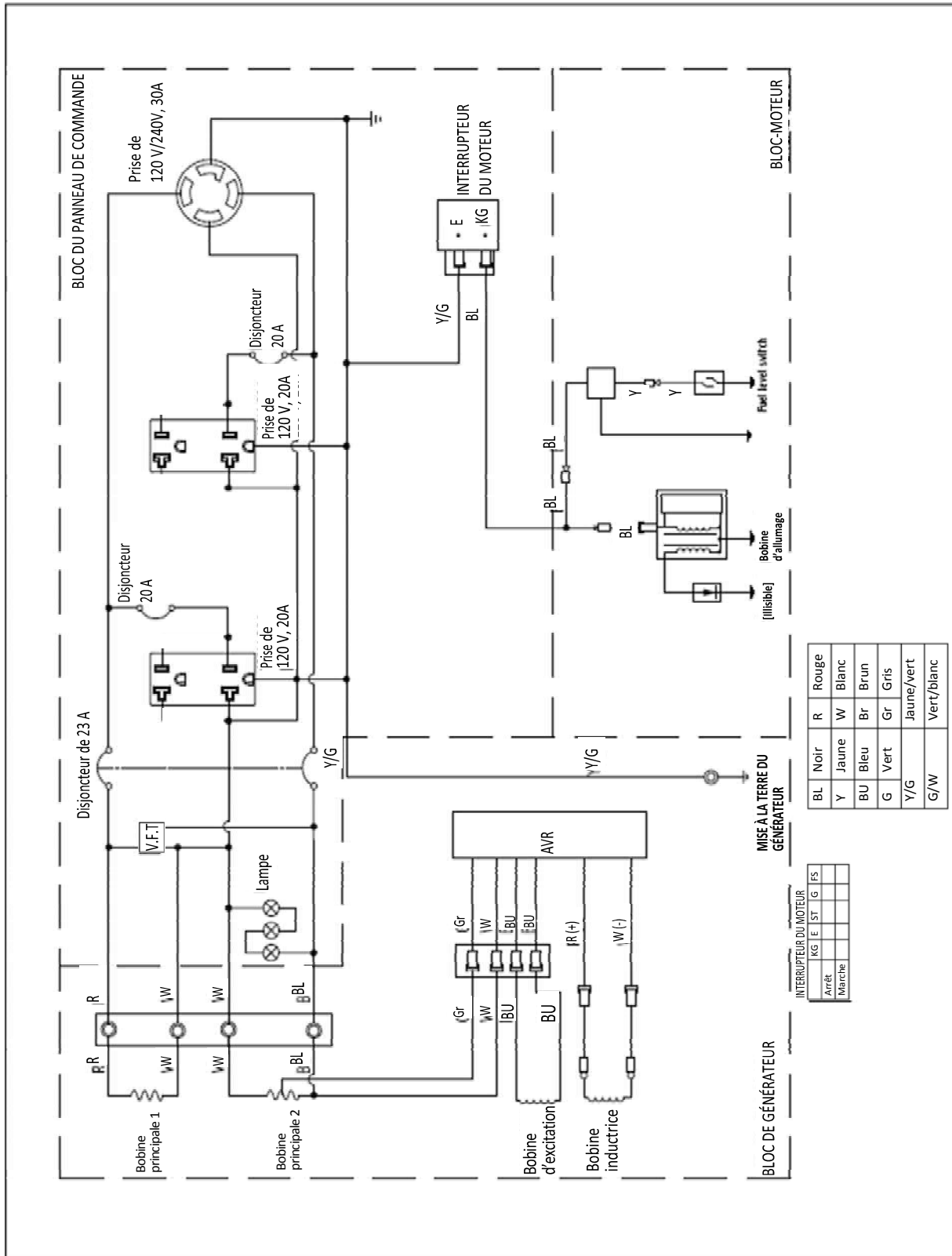
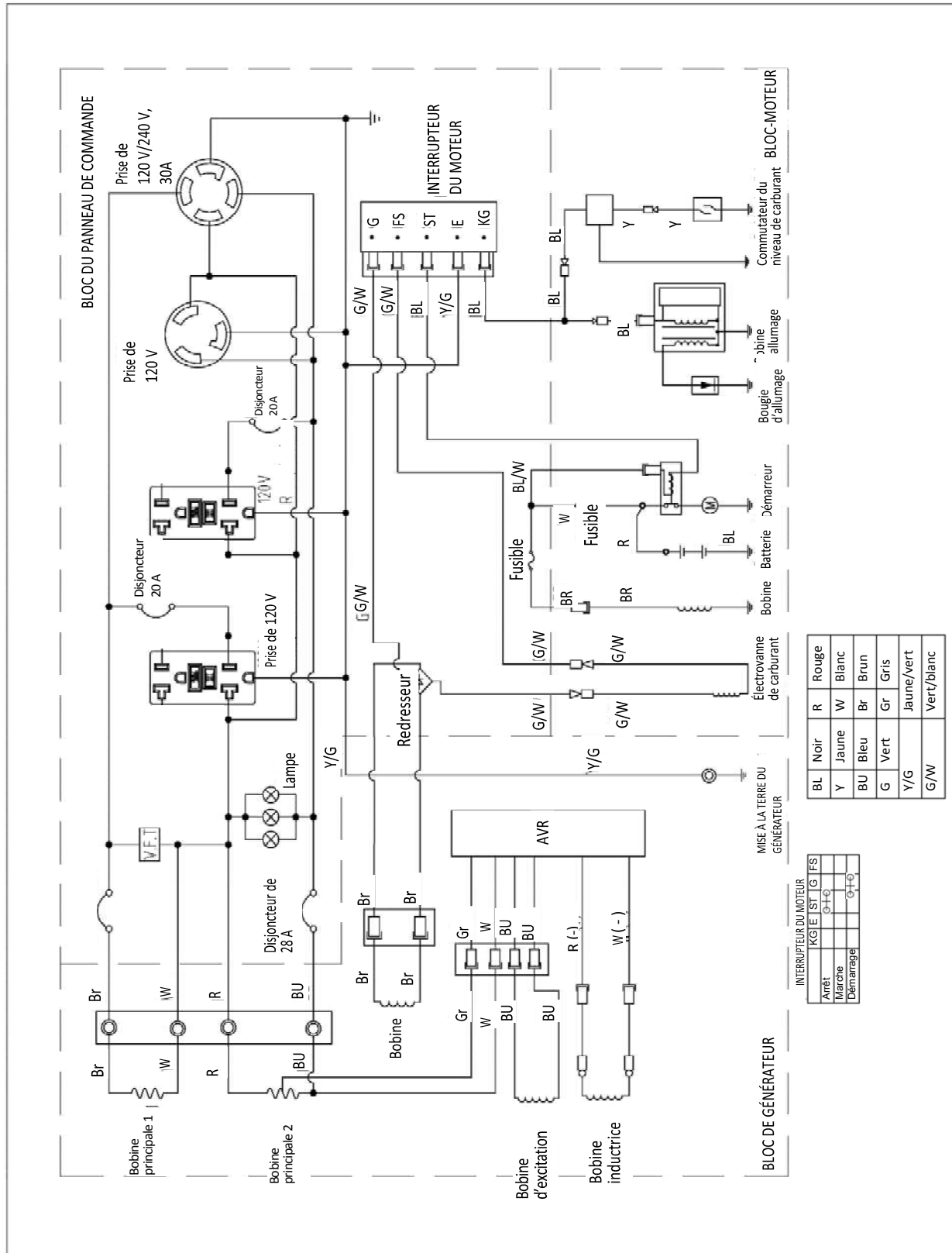


Schéma électrique pour RP6500 E et RP7500 E





© 2018 Caterpillar
Tous droits réservés

CAT, CATERPILLAR, leurs logos respectifs, la couleur jaune Caterpillar, la présentation commerciale Power Edge ainsi que toutes les identifications de l'entreprise et des produits utilisées dans le présent document sont des marques de commerce de Caterpillar et ne peuvent pas être utilisées sans autorisation.